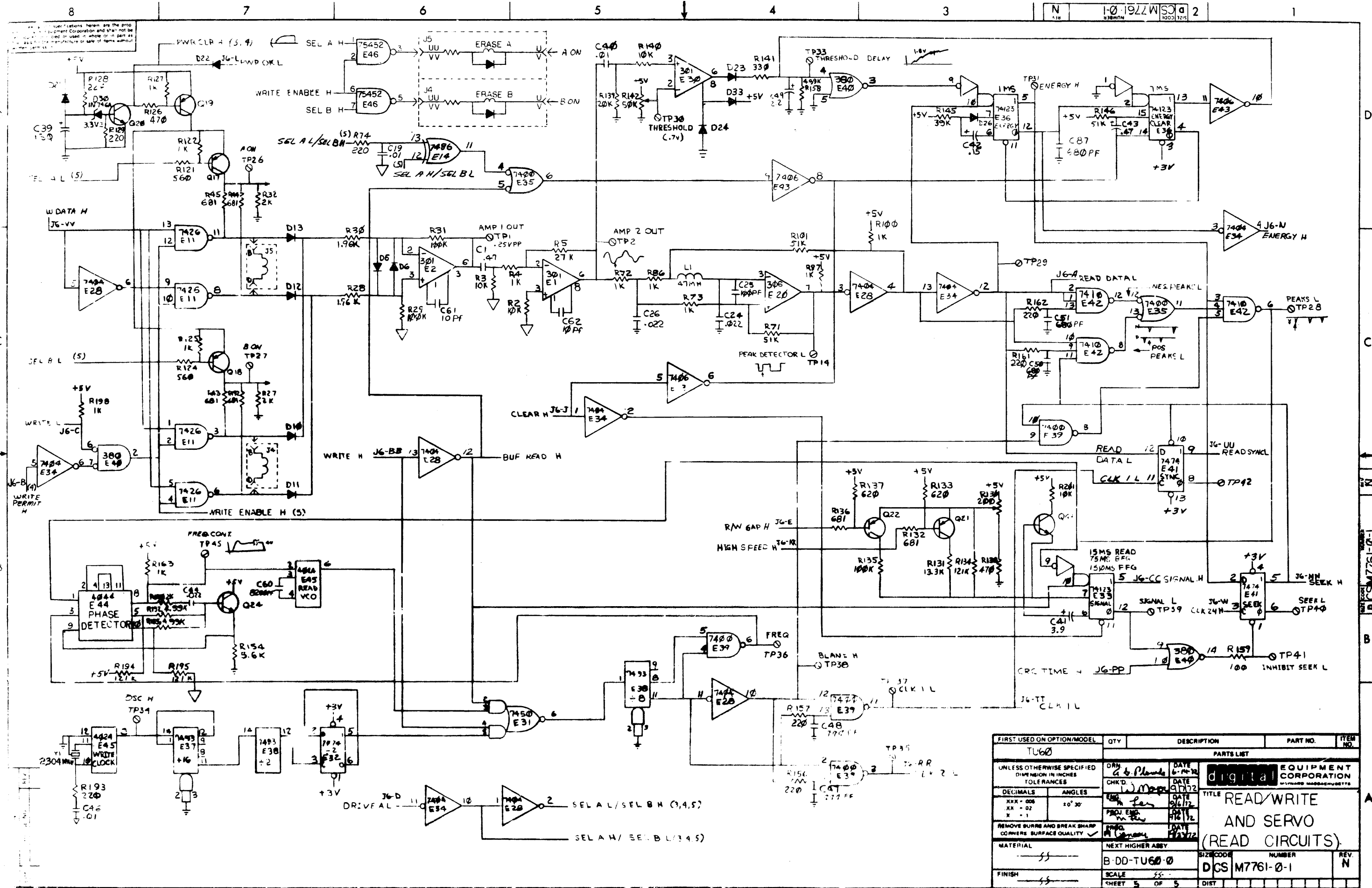


1. This drawing and specification herein are the property of Digital Equipment Corporation and shall not be reproduced, stored in a retrieval system, or transmitted in any form or by any means, electronic, mechanical, photocopying, recording, or by any information storage and retrieval system, without the prior written permission of Digital Equipment Corporation.

FIRST USED (OR OPTION/MODEL)	QTY	DESCRIPTION	PART NO.	ITEM NO.
PARTS LIST				
UNLESS OTHERWISE SPECIFIED DIMENSION IN INCHES TOLERANCES	DRN CHK'D ENG PROJ ENG DATE DATE DATE	DATE DATE DATE DATE DATE	digital EQUIPMENT CORPORATION MAYNARD, MASSACHUSETTS READ / WRITE AND SERVO (MOTOR CIRCUITS)	
DECIMALS	ANGLES	10° 30'		
REMOVE BURRS AND BREAK SHARP CORNERS SURFACE QUALITY				
MATERIAL	NEXT HIGHER ASSY.			
FINISH				
B-DD-TUG0-0		SIZE CODE	NUMBER	REV
SHEET 3 OF 5		DIST	D C S M 7 7 6 1 - 0 - 1	N

REV 10
PART NO

DCSM7761-0-1
 REV N
 SIZE CODE
 NUMBER
 ITEM NO.



FIRST USED ON OPTION/MODEL	QTY	DESCRIPTION	PART NO.	ITEM NO.
TU60		PARTS LIST		
UNLESS OTHERWISE SPECIFIED DIMENSION IN INCHES TOLERANCES		DATE	EQUIPMENT CORPORATION MILFORD MASSACHUSETTS	
DECIMALS	ANGLES	6-10-72	TITLE READ/WRITE AND SERVO (READ CIRCUITS)	
XXX - 008	10° 30'	DATE		
XX - 02		DATE		
X - 1		DATE		
REMOVE BURRS AND BREAK SHARP CORNERS SURFACE QUALITY		DATE	REV N	
MATERIAL	NEXT HIGHER ASSY	DATE	SIZE CODE NUMBER	
FINISH	B-DD-TU60-0	DATE	DGS M7761-0-1	
SCALE		DATE	SHEET 5 OF 5	
SHEET		DATE	DIST	