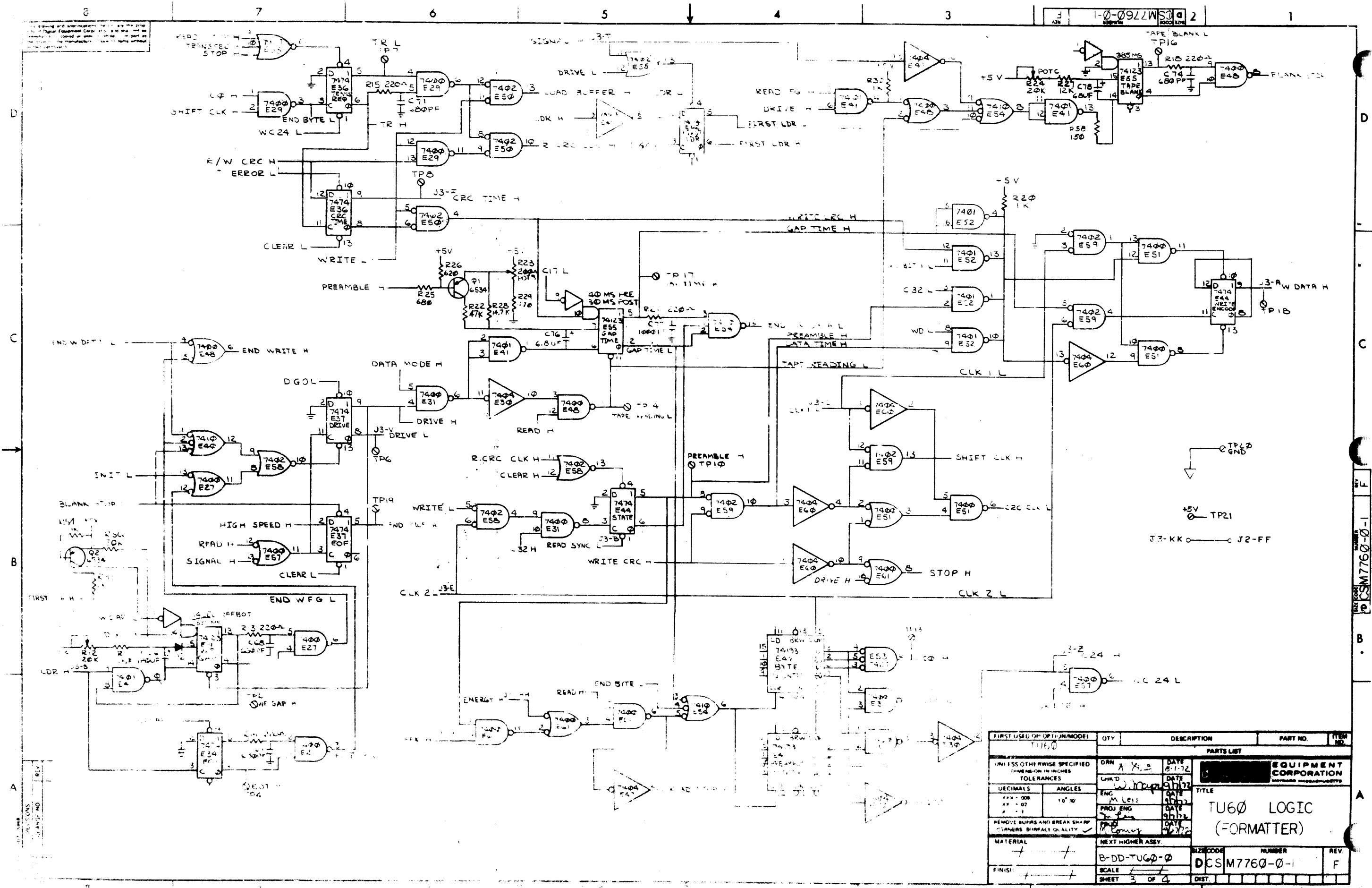


This drawing and specifications herein are the property of Digital Equipment Corporation and shall not be reproduced or copied in whole or in part in any form for the manufacture or sale of items without written permission.

DCS M7760-0-1

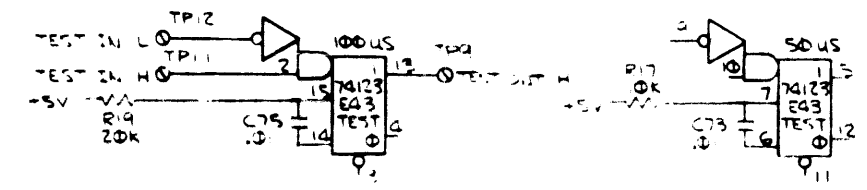
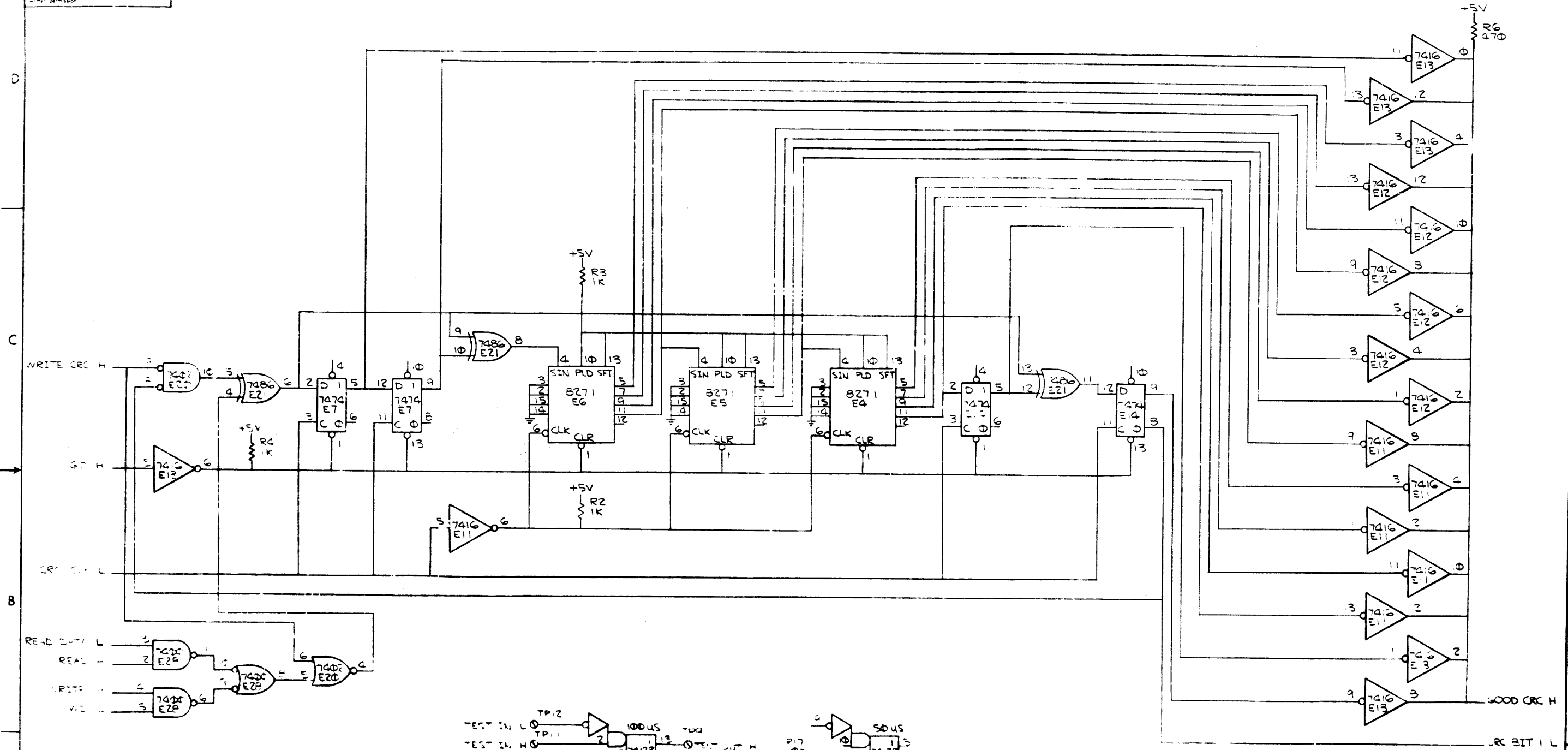
FIRST USED ON OPT'N MODEL	QTY.	DESCRIPTION	PART NO.	ITEM NO.
TU60				
PARTS LIST				
UNLESS OTHERWISE SPECIFIED	DRN. 4 C. PROVED	DATE 6-8-72	 <b>DIGITAL EQUIPMENT CORPORATION</b> <small>MAYNARD MASSACHUSETTS</small>	
DIMENSION IN INCHES	CHKD. <i>[Signature]</i>	DATE 9-1-72		
DECIMALS	AN	DATE 9-2-72		
XXX-006	10	DATE 9-2-72		
REMOVE BURRS AND BREAK SHARP CORNERS SURFACE QUALITY	PROJ. ENG. <i>[Signature]</i>	DATE 9-2-72	<b>TU60 LOGIC INTERFACE</b>	
MATERIAL	DATE 9-2-72	DATE 9-2-72		
FINISH	DATE 9-2-72	DATE 9-2-72		
	DATE 9-2-72	DATE 9-2-72		
MATERIAL		GREAT NUMBER ASSY.		REV. F
FINISH		B-DD-TU60-0		DCS M7760-0-1
SCALE		SHEET 2 OF 4		DIST.



FIRST USED OR OPTION/MODEL	QTY	DESCRIPTION	PART NO.	ITEM NO.
TU60				
PARTS LIST				
UNLESS OTHERWISE SPECIFIED (DIMENSIONS IN INCHES)	DRN	DATE	<b>EQUIPMENT CORPORATION</b>	
TOLERANCES	CHK'D	DATE		
DECIMALS	ENG	DATE	TITLE	
ANGLES	PROJ. ENG.	DATE		
REMOVE BURRS AND BREAK SHARP CORNERS SURFACE QUALITY	PROD.	DATE	TU60 LOGIC (FORMATTER)	
MATERIAL	NEXT HIGHER ASSY.	DATE		
FINISH	SCALE	SHEET	SIZE CODE	NUMBER
		3 OF 4	DCS M7760-0-1	REV. F

REV. F  
 DCS M7760-0-1  
 B

1. All values and specifications herein are the property of the manufacturer and shall not be used in whole or in part as a basis for the manufacture of items without written permission.



REV	CHG	NO

FIRST USED ON OPTION/MODEL	QTY	DESCRIPTION	PART NO.	ITEM NO.
TU				
PARTS LIST				
UNLESS OTHERWISE SPECIFIED DIMENSION IN INCHES TOLERANCE	DRAWN <i>[Signature]</i>	DATE 10/1/72	EQUIPMENT CORPORATION WATLING, MASSACHUSETTS	
DECIMALS ANGLES	CHK'D <i>[Signature]</i>	DATE 10/1/72		
XXX-000 XX-07 X-1	PROJ. ENG. <i>[Signature]</i>	DATE 10/1/72	TITLE TU60 LOGIC (CRC LOGIC)	
REMOVE BURRS AND BREAK SHARP CORNERS SURFACE QUALITY	PROD. ENG. <i>[Signature]</i>	DATE 10/1/72		
MATERIAL	NEXT HIGHER ASBY.	SCALE	SIZE CODE DCS	NUMBER M7760-0-1
FINISH	B-LD-TU60-0	SHEET 4 OF 4	DIST.	REV. F