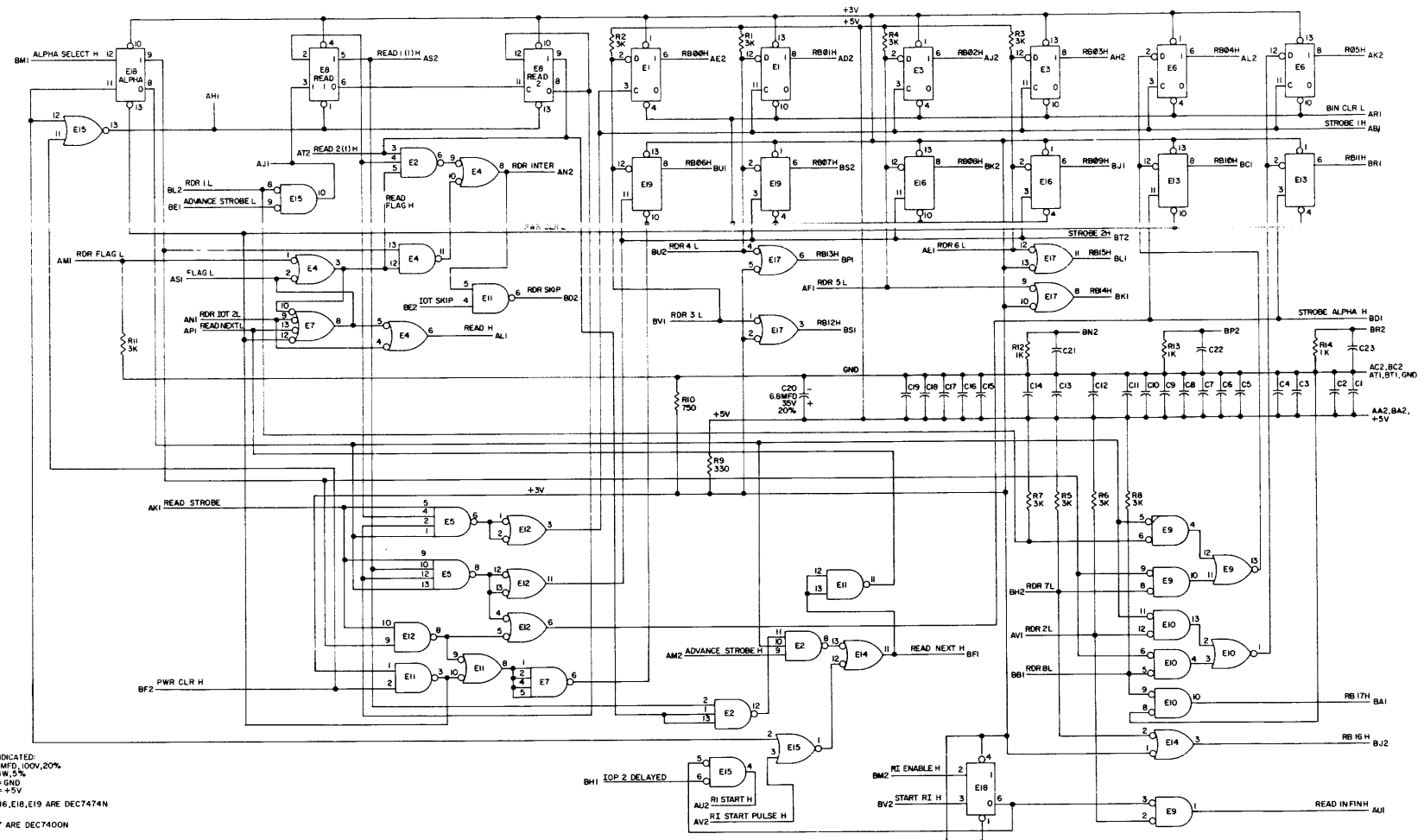


THIS SCHEMATIC IS FURNISHED ONLY FOR TEST AND MAINTENANCE PURPOSES. THE CIRCUITS ARE PROMPTLY IN NATURE AND SHOULD BE TREATED ACCORDINGLY. COPYRIGHT 1968 BY DIGITAL EQUIPMENT CORPORATION.



UNLESS OTHERWISE INDICATED:
 CAPACITORS ARE 0.1μF, 100V, 20%
 RESISTORS ARE 1/4W, 5%
 PIN 7 ON EACH IC = GND
 PIN 14 ON EACH IC = +5V
 E1, E3, E6, E8, E13, E16, E18, E19 ARE DEC7474N
 E2 IS DEC7410N
 E4, E11, E14, E17 ARE DEC7400N
 E7 IS DEC7444D
 E5 IS DEC7440N
 E9, E10, E15, ARE DEC7402N
 E12 IS DEC7400N

DATE	BY	CHKD
10/10/68	W. J.
REV	BY	CHKD
1

TRANSISTOR & DIODE CONVERSION CHART			
DEC	GM	DEC	GM

		TITLE READER REGISTER M776
SIZE 11 x 17	CODE M776-D-1	NUMBER 1
CORPORATION 3100 BRIDGE STREET BOSTON, MASSACHUSETTS 02114		PRINTED CIRCUIT REV A