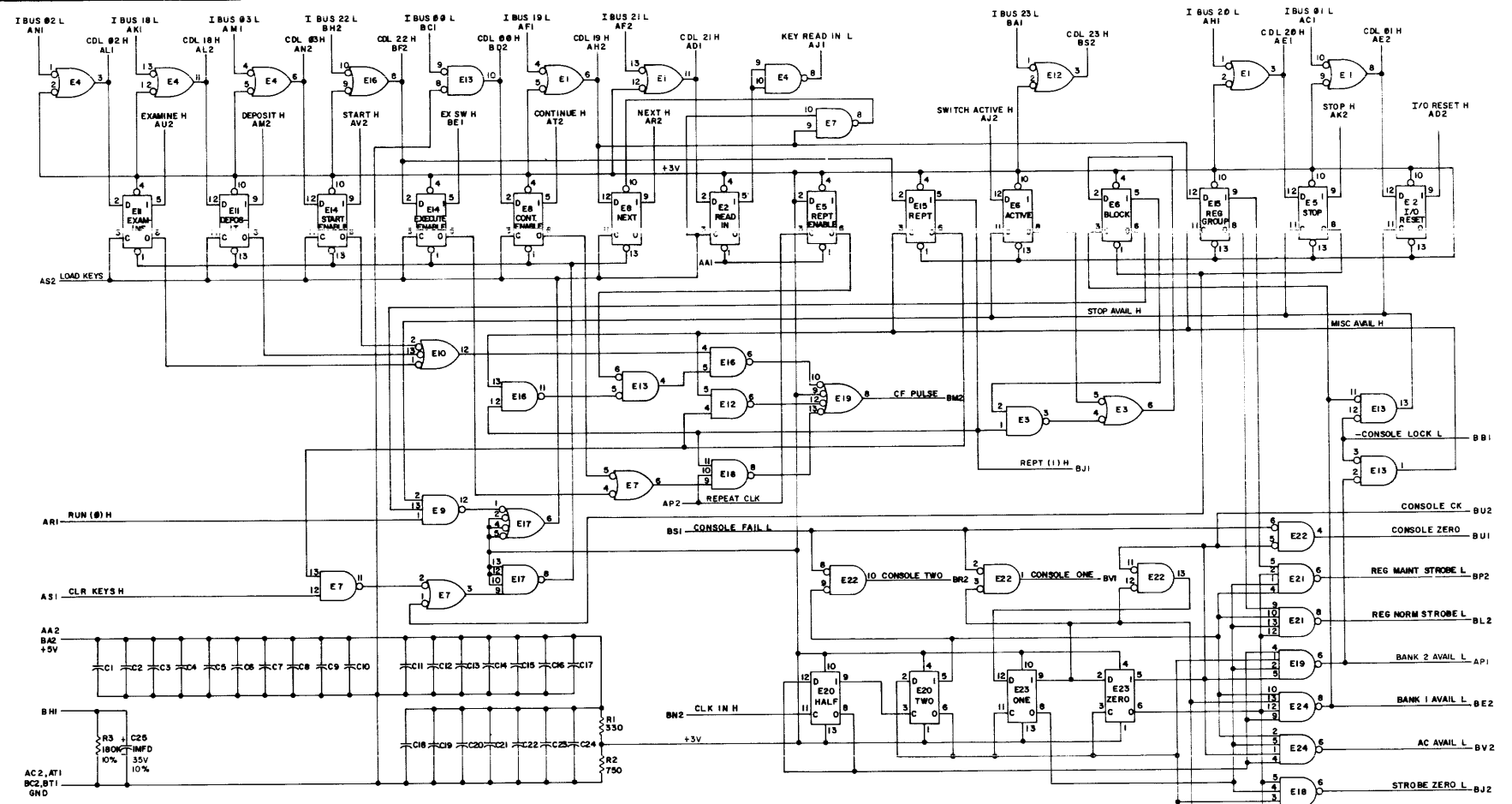


THIS DIAGRAM IS PROVIDED ONLY FOR YOUR INFORMATION. IT IS NOT TO BE USED FOR REPAIR OR MODIFICATION. THE USER IS RESPONSIBLE FOR THE PROPER USE OF THIS DIAGRAM. THE USER SHOULD BE ADVISED THAT THE USER SHALL BE RESPONSIBLE FOR THE PROPER USE OF THIS DIAGRAM. THE USER SHALL BE RESPONSIBLE FOR THE PROPER USE OF THIS DIAGRAM.



UNLESS OTHERWISE INDICATED
 CAPACITORS ARE .01 MFD, 100V
 RESISTORS ARE 1/4W, 5%
 PIN 14 ON EACH IC +5V
 PIN 7 ON EACH IC +GND
 E1, E3, E9, E7, E12, E16 ARE DEC7400N
 E2, E5, E6, E8, E11, E14, E15, E20, E23 ARE DEC7474N
 E9, E10, E8 ARE DEC7410N
 E13, E22 ARE DEC7402N
 E17, E19, E21, E24 ARE DEC7440N

1	2	3	4
5	6	7	8
9	10	11	12
13	14	15	16

17	18	19	20
21	22	23	24
25	26	27	28
29	30	31	32

33	34	35	36
37	38	39	40
41	42	43	44
45	46	47	48

49	50	51	52
53	54	55	56
57	58	59	60
61	62	63	64

65	66	67	68
69	70	71	72
73	74	75	76
77	78	79	80

81	82	83	84
85	86	87	88
89	90	91	92
93	94	95	96

97	98	99	100
101	102	103	104
105	106	107	108
109	110	111	112

113	114	115	116
117	118	119	120
121	122	123	124
125	126	127	128

129	130	131	132
133	134	135	136
137	138	139	140
141	142	143	144

145	146	147	148
149	150	151	152
153	154	155	156
157	158	159	160

161	162	163	164
165	166	167	168
169	170	171	172
173	174	175	176

177	178	179	180
181	182	183	184
185	186	187	188
189	190	191	192

193	194	195	196
197	198	199	200
201	202	203	204
205	206	207	208

209	210	211	212
213	214	215	216
217	218	219	220
221	222	223	224

225	226	227	228
229	230	231	232
233	234	235	236
237	238	239	240

241	242	243	244
245	246	247	248
249	250	251	252
253	254	255	256

257	258	259	260
261	262	263	264
265	266	267	268
269	270	271	272

273	274	275	276
277	278	279	280
281	282	283	284
285	286	287	288

289	290	291	292
293	294	295	296
297	298	299	300
301	302	303	304

305	306	307	308
309	310	311	312
313	314	315	316
317	318	319	320

TRANSISTOR & DIODE CONVERSION CHART			
MANUFACTURER	TYPE	DESIGNATION	REMARKS