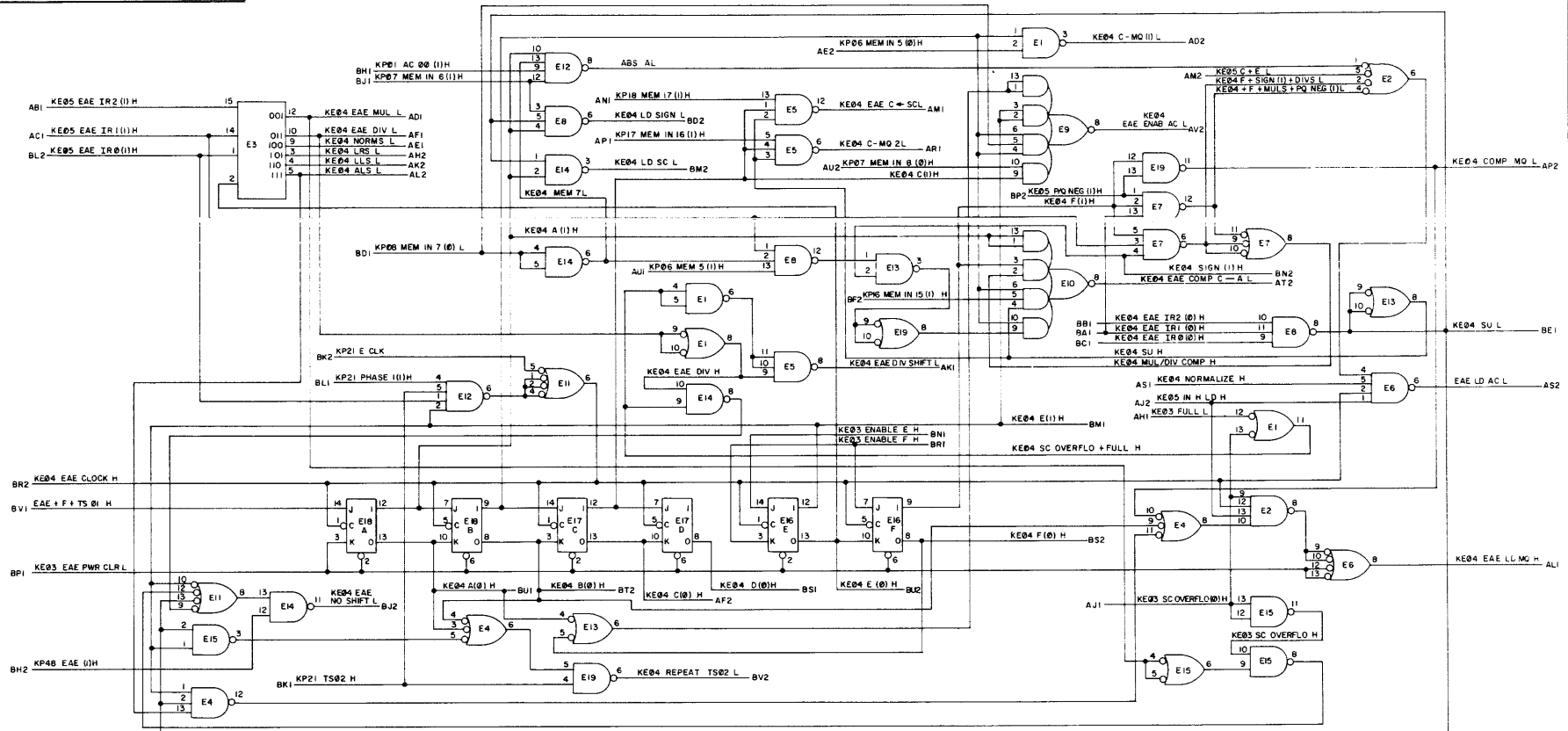


THIS SCHEMATIC IS FURNISHED ONLY FOR TEST AND MAINTENANCE PURPOSES. THE CIRCUITS ARE PROMPTLY IN REPAIR AND SHOULD BE TREATED ACCORDINGLY. COPYRIGHT 1968 BY DIGITAL EQUIPMENT CORPORATION



UNLESS OTHERWISE INDICATED:  
 CAPACITORS ARE 0.01MFD, 100V, 20%  
 E1, E13, E14, E15, E19 ARE DEC74100  
 E2, E12 ARE DEC74120  
 E3 IS DEC9301  
 E4, E5, E7, E8 ARE DEC74110  
 E9, E10 ARE DEC74145  
 E11 ARE DEC74140  
 E16 THRU E18 ARE DEC7473

PIN 11 ON DEC7473 = GND  
 PIN 4 ON DEC7473 = +5V  
 PIN 14 ON EACH IC EXCEPT DEC7473 AND DEC9301 = +5V  
 PIN 7 ON EACH IC EXCEPT DEC7473 AND DEC9301 = GND  
 PIN 16 ON DEC9301 = +5V  
 PIN 8 ON DEC9301 = GND

