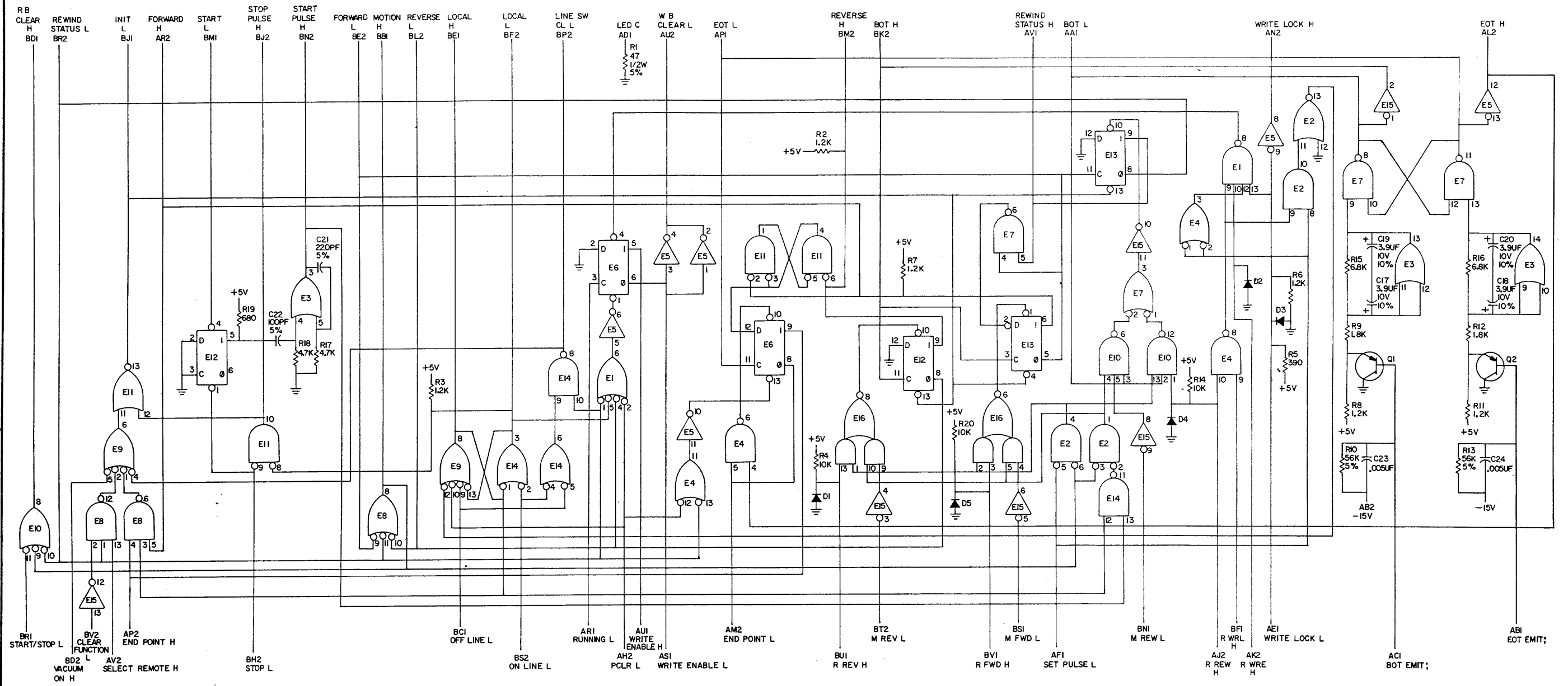
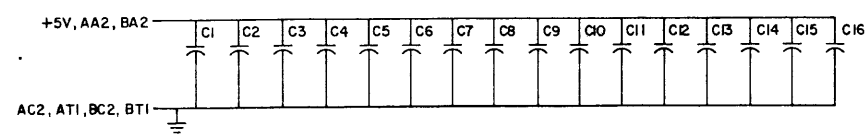


THIS SCHEMATIC IS FURNISHED ONLY FOR TEST AND MAINTENANCE PURPOSES. THE CIRCUITS ARE PROPRIETARY IN NATURE AND SHOULD BE TREATED ACCORDINGLY. COPYRIGHT 1971 BY DIGITAL EQUIPMENT CORPORATION.



UNLESS OTHERWISE INDICATED:
 RESISTORS = 1/4W, 10%
 CAPACITORS = .01UF, 100V, 20%
 DIODES = D003
 TRANSISTORS = DEC3639B
 DEC 7474 = E6, E12, E13
 DEC 7400 = E4, E7, E14
 DEC 7410 = E8, E10
 DEC 7420 = E1, E9
 DEC 7450 = E16
 DEC 7402 = E2, E11
 DEC 384 = E3
 DEC 7404 = E5, E15
 PIN 7 = GND ON ALL IC'S
 PIN 14 = +5V
 PIN 1 = GND ON E3
 PIN 8 = +5V



REV	DATE	BY	CHKD
1	1/15/71

DATE	BY	CHKD
1/15/71

TRANSISTOR & DIODE CONVERSION CHART			
DEC	EIA	DEC	EIA
...

digital		TITLE	
EQUIPMENT CORPORATION		FUNCTION CONTROL M769	
SALE D	CODE CS	NUMBER M769-0-1	REV H

REV H
NUMBER M769-0-1
DATE LOCK D CS