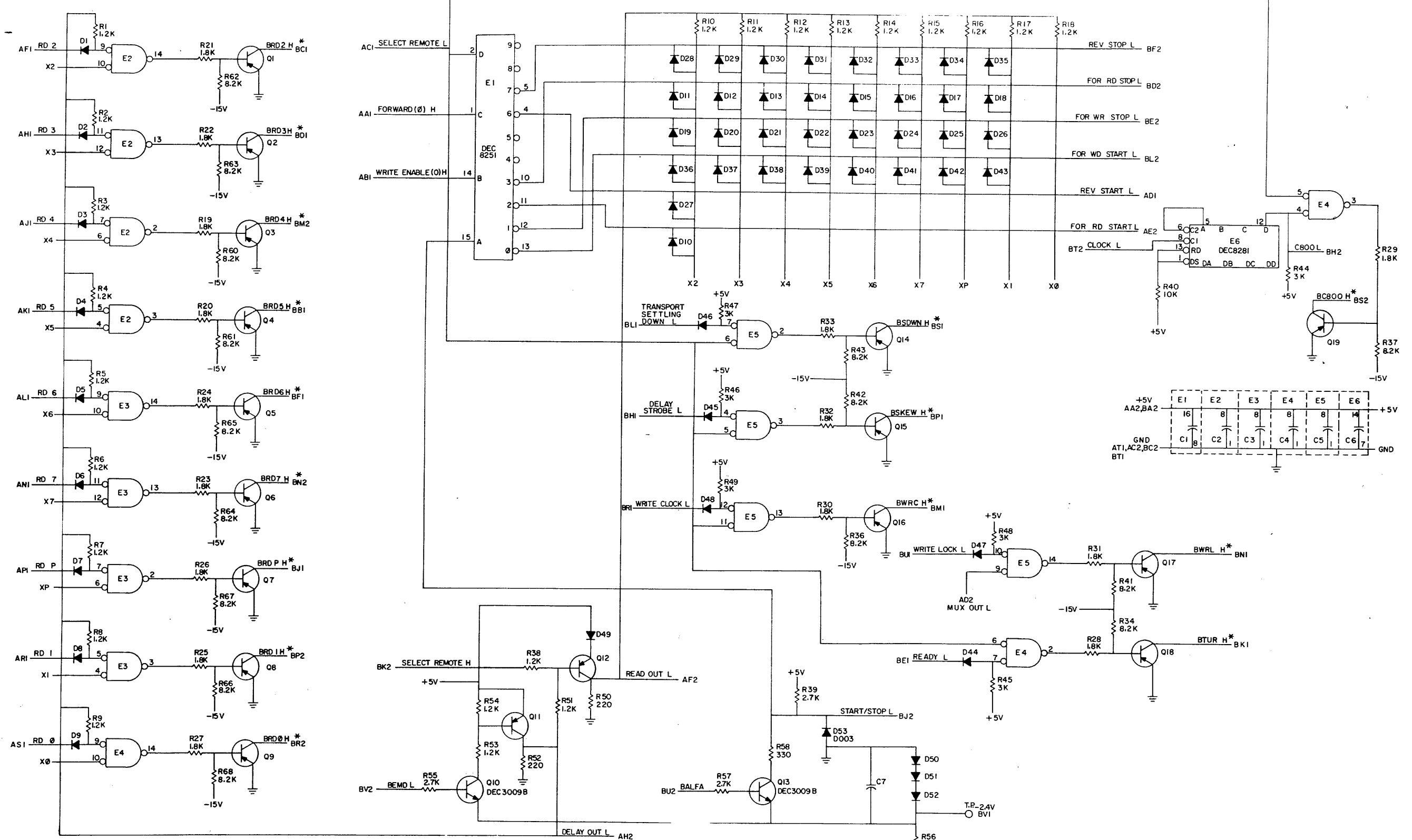


THIS SCHEMATIC IS FURNISHED ONLY FOR TEST AND MAINTENANCE PURPOSES. THE CIRCUITS ARE PROPRIETARY IN NATURE AND SHOULD BE TREATED ACCORDINGLY. COPYRIGHT 19 BY DIGITAL EQUIPMENT CORPORATION



UNLESS OTHERWISE INDICATED:  
RESISTORS ARE 1/4W, 5%  
TRANSISTORS ARE DEC6534B  
DIODES ARE D664  
CAPACITORS ARE .01UF, 100V, 20%  
IC'S ARE SP 384

NOTE:  
\* NEGATIVE LOGIC SIGNALS  
EG. L = -3V  
H = 0V

REVISIONS	DATE	BY	CHKD	APPD
1	11/21/74	J. COOPER		
2	11/21/74	J. COOPER		
3	11/21/74	J. COOPER		
4	11/21/74	J. COOPER		
5	11/21/74	J. COOPER		
6	11/21/74	J. COOPER		
7	11/21/74	J. COOPER		
8	11/21/74	J. COOPER		
9	11/21/74	J. COOPER		
10	11/21/74	J. COOPER		

FORM	DATE	TRANSISTOR & DIODE CONVERSION CHART			
100	11/21/74	DEC	EIA	DEC	EIA
CHVD	DATE	D664	IN3606	DEC3639B	NONE
ENG	DATE	D003	1N994	DEC3009B	2N3009B
PROD	DATE	DEC6534B	PNP6534B		

<b>digital</b>		EQUIPMENT CORPORATION		TITLE DELAY TRANSMITTER M768	
SIZE D	CODE CS	NUMBER M768-0-1	REV F		
PRINTED CIRCUIT REV				E	