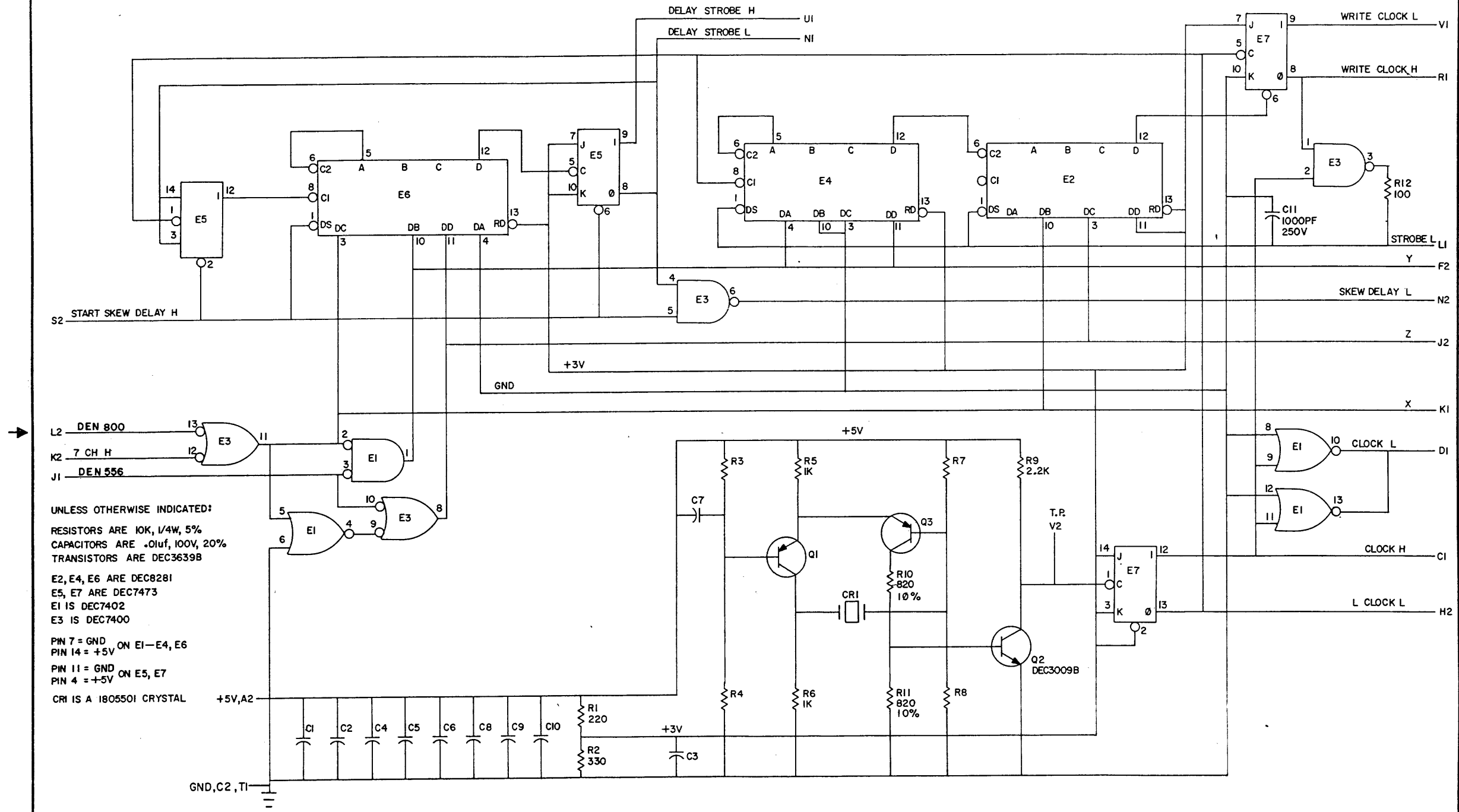


THIS SCHEMATIC IS FURNISHED ONLY FOR TEST AND MAINTENANCE PURPOSES. THE CIRCUITS ARE PROPRIETARY IN NATURE AND SHOULD BE TREATED ACCORDINGLY. COPYRIGHT 1970 BY DIGITAL EQUIPMENT CORPORATION



UNLESS OTHERWISE INDICATED:
 RESISTORS ARE 10K, 1/4W, 5%
 CAPACITORS ARE .01uf, 100V, 20%
 TRANSISTORS ARE DEC3639B

E2, E4, E6 ARE DEC8281
 E5, E7 ARE DEC7473
 E1 IS DEC7402
 E3 IS DEC7400

PIN 7 = GND ON E1-E4, E6
 PIN 14 = +5V
 PIN 11 = GND ON E5, E7
 PIN 4 = +5V

CRI IS A 1805501 CRYSTAL

REV.	CHK	CHG	NO.	REV.
A			00001	
B			00002	
C			00003	

DEC FORM NO. DRC 102

DRN. <i>NANCY MOORE</i>	DATE <i>7/23/70</i>
CHK'D <i>R. Walden</i>	DATE <i>7-9-70</i>
ENG. <i>H. McFarlane</i>	DATE <i>3-25-70</i>
PROD.	DATE

TRANSISTOR & DIODE CONVERSION CHART			
DEC	EIA	DEC	EIA
DEC3009B	2N3009B		
DEC3639B	2N3639B		

digital
 EQUIPMENT CORPORATION
 MAYNARD, MASSACHUSETTS

TITLE CLOCK AND SKEW DELAY M767			
SIZE C	CODE CS	NUMBER M767-0-1	REV. C
PRINTED CIRCUIT REV. AC			

REV. C
 NUMBER M767-0-1
 SIZE CODE CS

Dist. 327,439,435