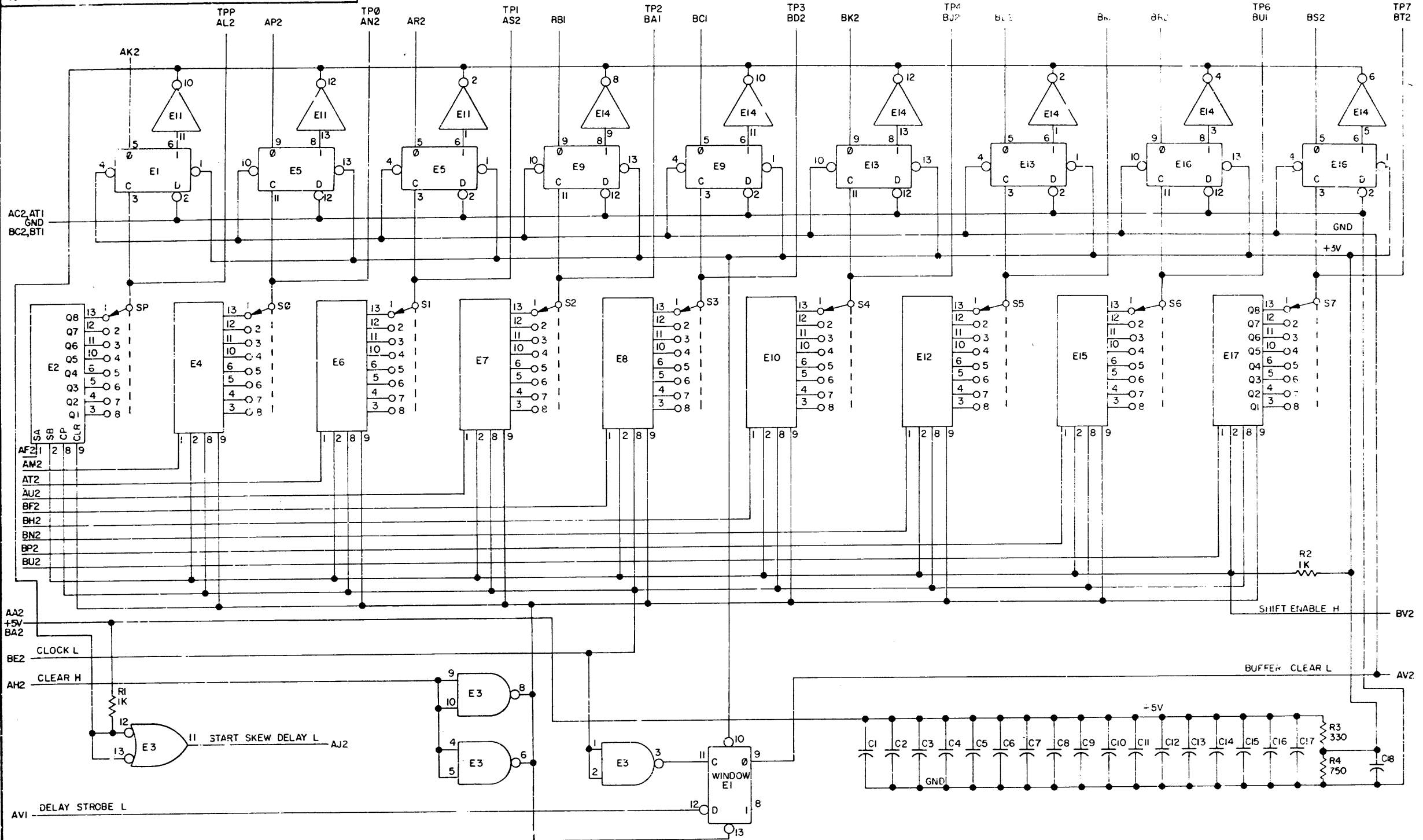


THIS SCHEMATIC IS FURNISHED ONLY FOR TEST AND MAINTENANCE PURPOSES. THE CIRCUITS ARE PROPRIETARY IN NATURE AND SHOULD BE TREATED ACCORDINGLY. COPYRIGHT 1969 BY DIGITAL EQUIPMENT CORPORATION.



UNLESS OTHERWISE INDICATED:
 RESISTORS ARE 1/4W, 5%
 CAPACITORS ARE 01MFD, 100V, 20%
 E1, E5, E9, E13, E16 ARE DEC7474N
 E2, E4, E6, E7, E8, E10, E12, E15, E17 ARE DM8570
 E3 IS DEC7400N
 E11, E14 ARE DEC7405N
 PIN 7 ON EACH IC=GND
 PIN 14 ON EACH IC=+5V
 SWITCHES ARE SPECTROL I210042-0

REV	CHG	NO	REV
1		1	A

DRN	DATE
CHK'D	DATE
ENG	DATE
PROD	DATE

TRANSISTOR & DIODE CONVERSION CHART			
DEC	E.A.	DEC	E.A.



TITLE		REV	
READ BUFFER M765		A	
SIZE	CODE	NUMBER	REV
C	CS	M765-0-1	A
PRINTED CIRCUIT REV		A	