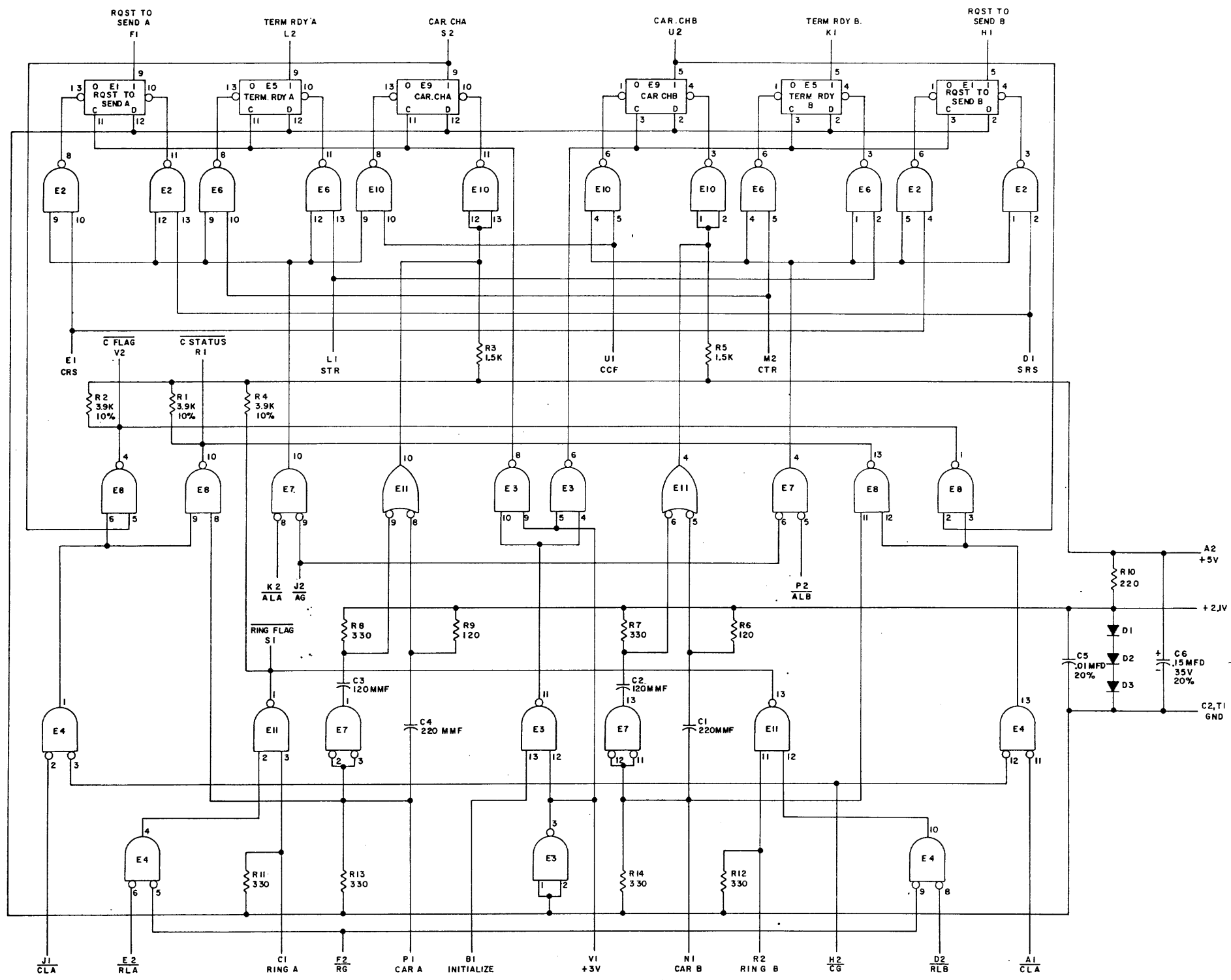


THIS SCHEMATIC IS FURNISHED ONLY FOR TEST AND MAINTENANCE PURPOSES. THE CIRCUITS ARE PROPRIETARY IN NATURE AND SHOULD BE TREATED ACCORDINGLY. COPYRIGHT 1969 BY DIGITAL EQUIPMENT CORPORATION



UNLESS OTHERWISE INDICATED  
PIN 7 ON EACH IC = GND  
PIN 14 ON EACH IC = +5V  
E1, E5, E9 ARE DEC7474N  
E4, E7, ARE DEC7402N  
E8, E11 ARE DEC7401N  
E2, E3, E6, E10 ARE DEC7400N  
DIODES ARE D662  
RESISTORS ARE 1/4W, 5%  
CAPACITORS ARE 100V 5%

REV	DESCRIPTION
1	00001 C

DRN: [Signature]	DATE: 12-19-69
CHK'D: [Signature]	DATE: 12-19-69
ENG: [Signature]	DATE: 12-19-69
PROD: [Signature]	DATE: 12-19-69

TRANSISTOR & DIODE CONVERSION CHART	
DEC	EIA
D662	1N645

**digital** EQUIPMENT CORPORATION  
MAYNARD, MASSACHUSETTS

TITLE: ASYNC MODEM LINE CONTROL  
M753

SIZE: D CODE: CS NUMBER: M753-0-1 REV: C

PRINTED CIRCUIT REV: B