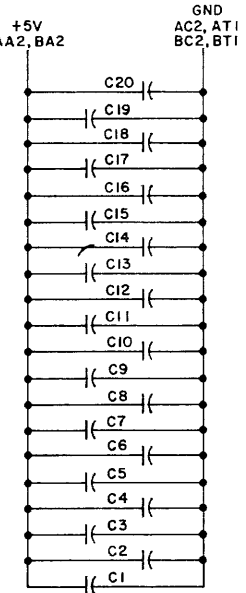
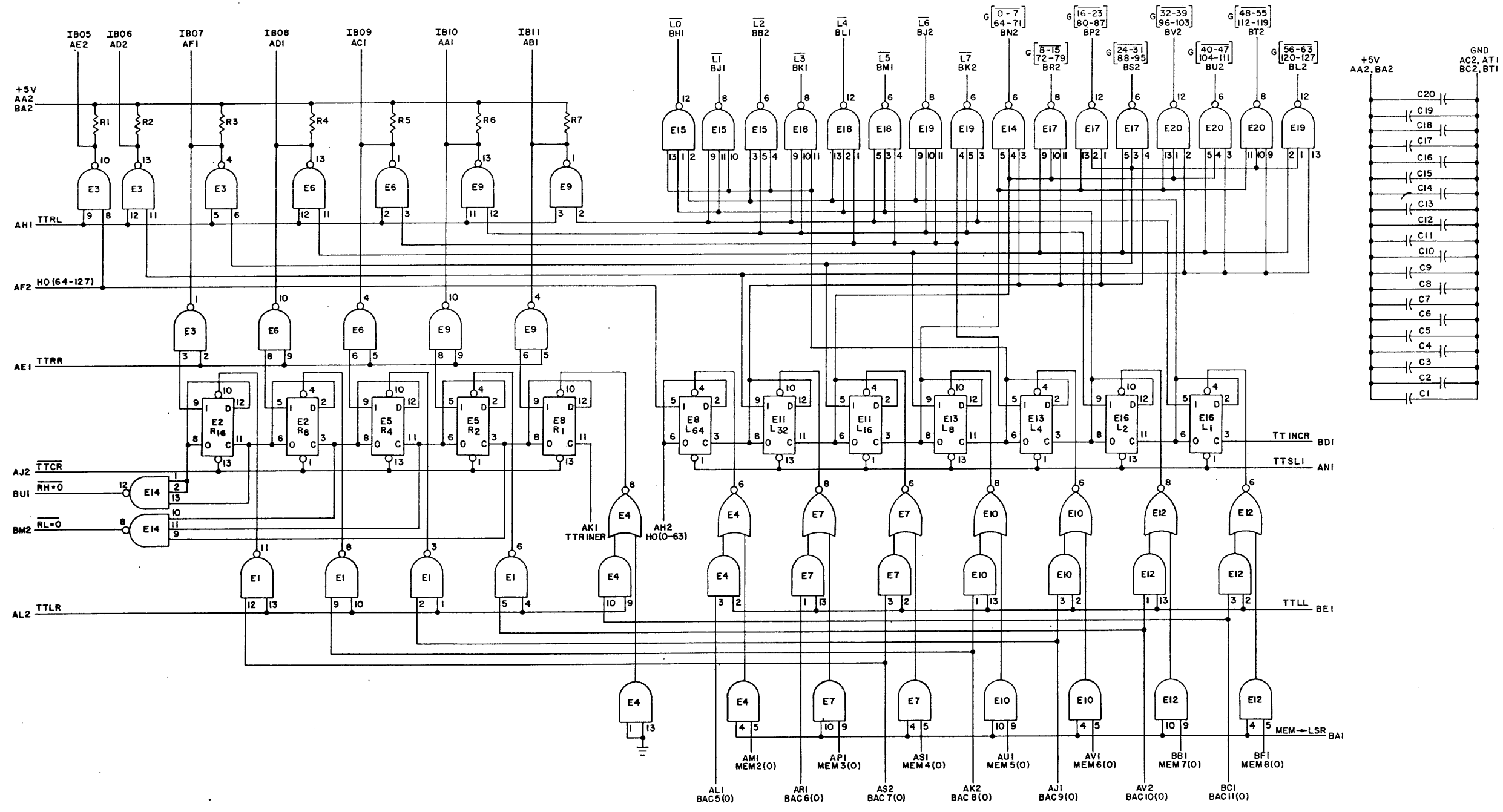


THIS SCHEMATIC IS FURNISHED ONLY FOR TEST AND MAINTENANCE PURPOSES. THE CIRCUITS ARE PROPRIETARY IN NATURE AND SHOULD BE TREATED ACCORDINGLY. COPYRIGHT 1968 BY DIGITAL EQUIPMENT CORPORATION



| | | |
|---------------------------|---------------------------|---------------|
| E14, E15, E17, -E20 | INTEGRATED CKT. DEC74H10N | 1909057 |
| E4, E7, E10, E12 | INTEGRATED CKT. DEC74H50N | 1909060 |
| E3, E6, E9 | INTEGRATED CKT. DEC7401N | 1905590 |
| E2, E5, E8, E11, E13, E16 | INTEGRATED CKT. DEC7474N | 1905547 |
| E1 | INTEGRATED CKT. DEC7400N | 1905575 |
| R1 - R7 | RES. 1.5K 1/4W 5% CC | 1300391 |
| C1 - C20 | CAP. .01MFD 100V 20% DISC | 1001610 |
| PARTS LIST | | A-PL-M751-0-0 |
| REFERENCE DESIGNATION | DESCRIPTION | PART NO. |

| | | | | | | |
|----------------------------|---|--|--|--|---|--|
| REVISIONS CHKD NO. REV. | DRN. <i>Dr. Walker</i> DATE <i>11-3-68</i> CHKD. <i>Dr. Walker</i> DATE <i>11-12-68</i> ENG. <i>Dr. Walker</i> DATE <i>11-12-68</i> PROD. DATE | TRANSISTOR & DIODE CONVERSION CHART DEC EIA DEC EIA | | digital EQUIPMENT CORPORATION MAYNARD, MASSACHUSETTS | TITLE LINE REGISTER AND CONTROL M751 | |
| | SIZE CODE NUMBER D CS M751-0-1 | PRINTED CIRCUIT REV. A | | | REV. | |