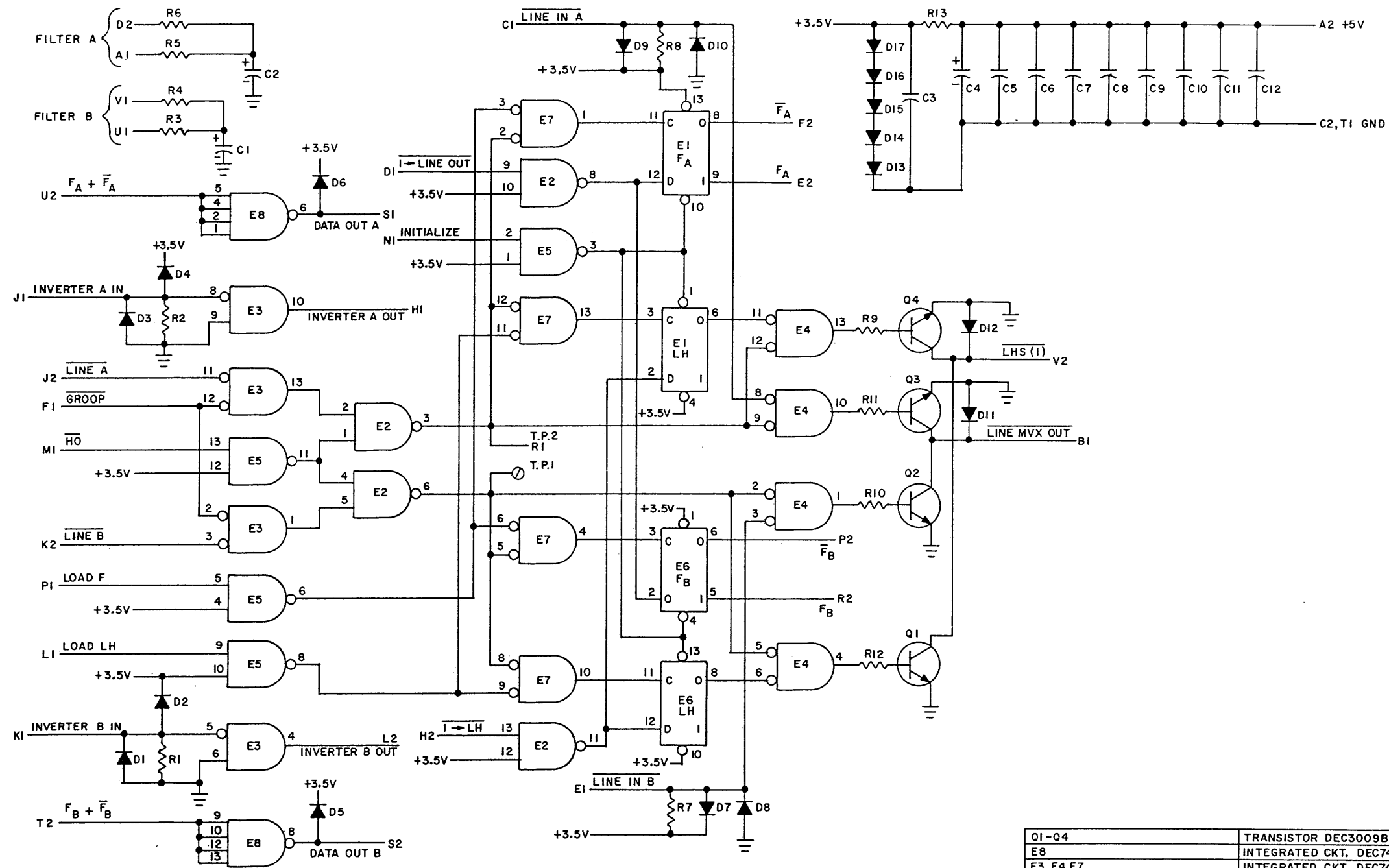


THIS SCHEMATIC IS FURNISHED ONLY FOR TEST AND MAINTENANCE PURPOSES. THE CIRCUITS ARE PROPRIETARY IN NATURE AND SHOULD BE TREATED ACCORDINGLY. COPYRIGHT 1968 BY DIGITAL EQUIPMENT CORPORATION



NOTES:  
PIN 7 ON EACH IC = GND  
PIN 14 ON EACH IC = +5V  
⊗ = SPLIT LUG

REFERENCE DESIGNATION	DESCRIPTION	PART NO.
Q1-Q4	TRANSISTOR DEC3009B-S	1503100
E8	INTEGRATED CKT. DEC7440N	1905579
E3, E4, E7	INTEGRATED CKT. DEC7402N	1909004
E2, E5	INTEGRATED CKT. DEC74H00N	1909056
E1, E6	INTEGRATED CKT. DEC7474N	1905547
R13	RES. 220 1/4W 5% CC	1300271
R1, R2, R9-R12	RES. 390 1/4W 5% CC	1300309
R4, R6	RES. 100 1/4W 10% CC	1300231
R3, R5	RES. 82 1/4W 10% CC	1300224
R7, R8	RES. 1.5K 1/4W 5% CC	1300391
D13-D17	DIODE D662	1100113
D1-D12	DIODE D664	1100114
C3, C5-C12	CAP. .01MFD 100V 20% DISC	1001610
C1, C2, C4	CAP. 6.8MFD 35V 20% S.TANT	1000067
	PARTS LIST	A-PL-M750-0-0

REV.	CHK	CHK NO.	REV.
1	A	0001	
2	A	0002	
3	C	0003	

DEC FORM NO. DRC 102

DRN.	DATE
M. Heller	10-30-68
CHK'D	DATE
M. Heller	11-1-68
ENG.	DATE
A. Smith	1-17-69
PROP.	DATE

TRANSISTOR & DIODE CONVERSION CHART			
DEC	EIA	DEC	EIA
DEC3009B	2N3009		
D662	1N645		
D664	1N3606		

PARTS LIST		TITLE	
digital		LINE I/O CONTROL M750	
SIZE	CODE	NUMBER	REV.
C	CS	M750-0-1	C
PRINTED CIRCUIT REV.		C	

REV. C  
NUMBER M750-0-1  
SIZE CODE CS