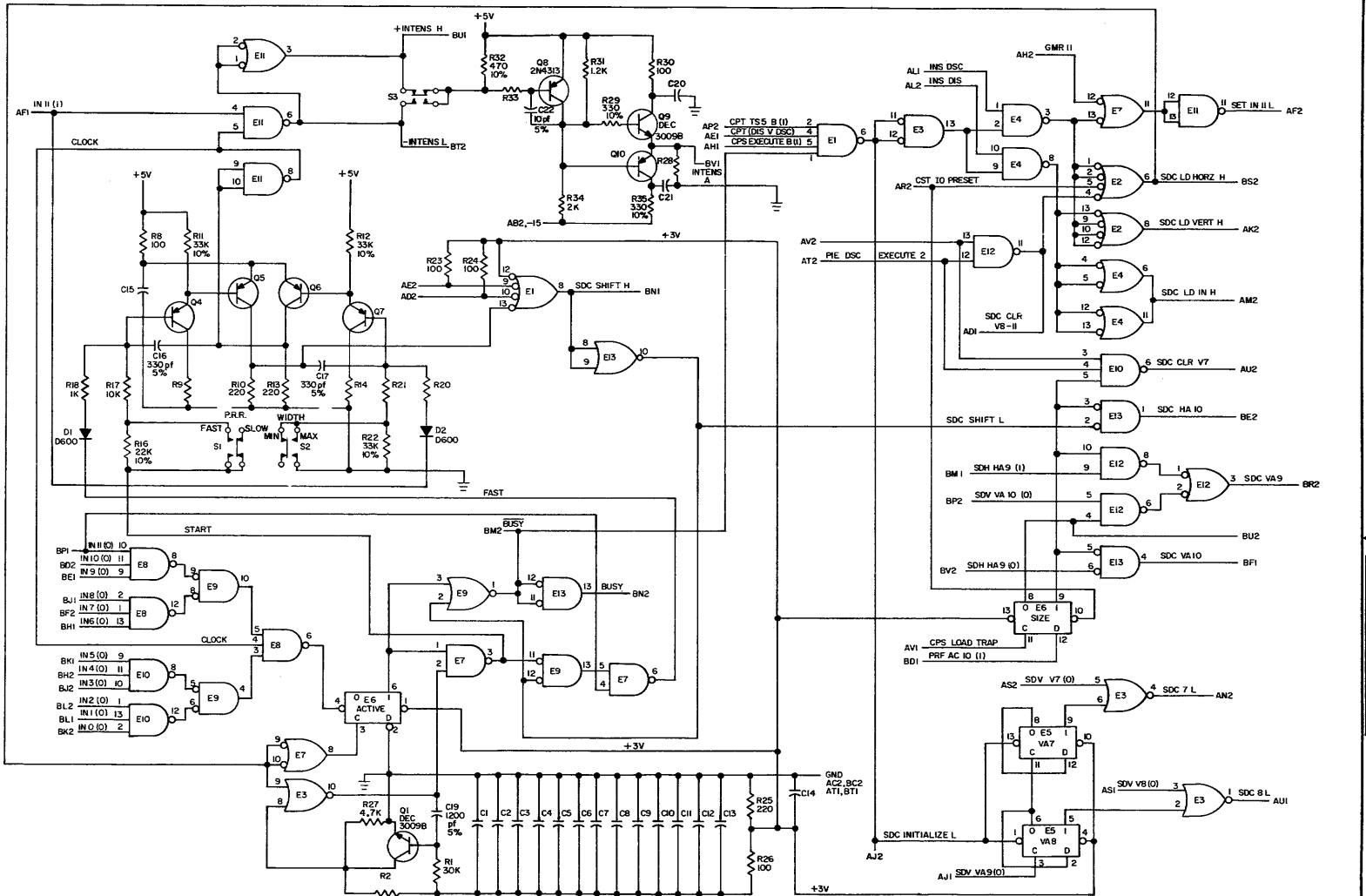


THIS SCHEMATIC IS FURNISHED ONLY FOR TEST AND MAINTENANCE PURPOSES. THE CIRCUITS ARE PROPRIETARY IN NATURE AND SHOULD BE TREATED ACCORDINGLY. COPYRIGHT 1959, BY DIGITAL EQUIPMENT CORPORATION.



UNLESS OTHERWISE INDICATED:

- TRANSISTORS ARE DEC3639B
- CAPACITORS ARE .01 MFD, 100V, 20%
- RESISTORS ARE 2.2K, 1/4W, 5%
- S1, S2, S3 ARE 1209698
- E5, E6 ARE DEC7474
- E4, E7, E11, E12 ARE DEC7400
- E3, E9, E13 ARE DEC7402
- E8, E10 ARE DEC7410
- E1, E2 ARE DEC7440
- PN 7 ON EACH IC = GND
- PN 14 ON EACH IC = +5V

REV	DATE	BY	CHK	APP
1	11-10-59	J. J. BONE		
2	11-10-59	J. J. BONE		
3	11-10-59	J. J. BONE		
4	11-10-59	J. J. BONE		

TRANSISTOR & DIODE CONVERSION CHART			
DEC	EA	DEC	EA
DEC 3639B	2N 3639	DEC 7400	7400
DEC 3639C	2N 3639C	DEC 7402	7402
DEC 3639D	2N 3639D	DEC 7410	7410
DEC 3639E	2N 3639E	DEC 7440	7440

TITLE		SCOPE CONTROL M711	
EQUIPMENT CORPORATION		SIZE	CODE
MAYFORD, MASSACHUSETTS		D	CS
PRINTED CIRCUIT REV.		NUMBER	M711-C-1
		REV	C