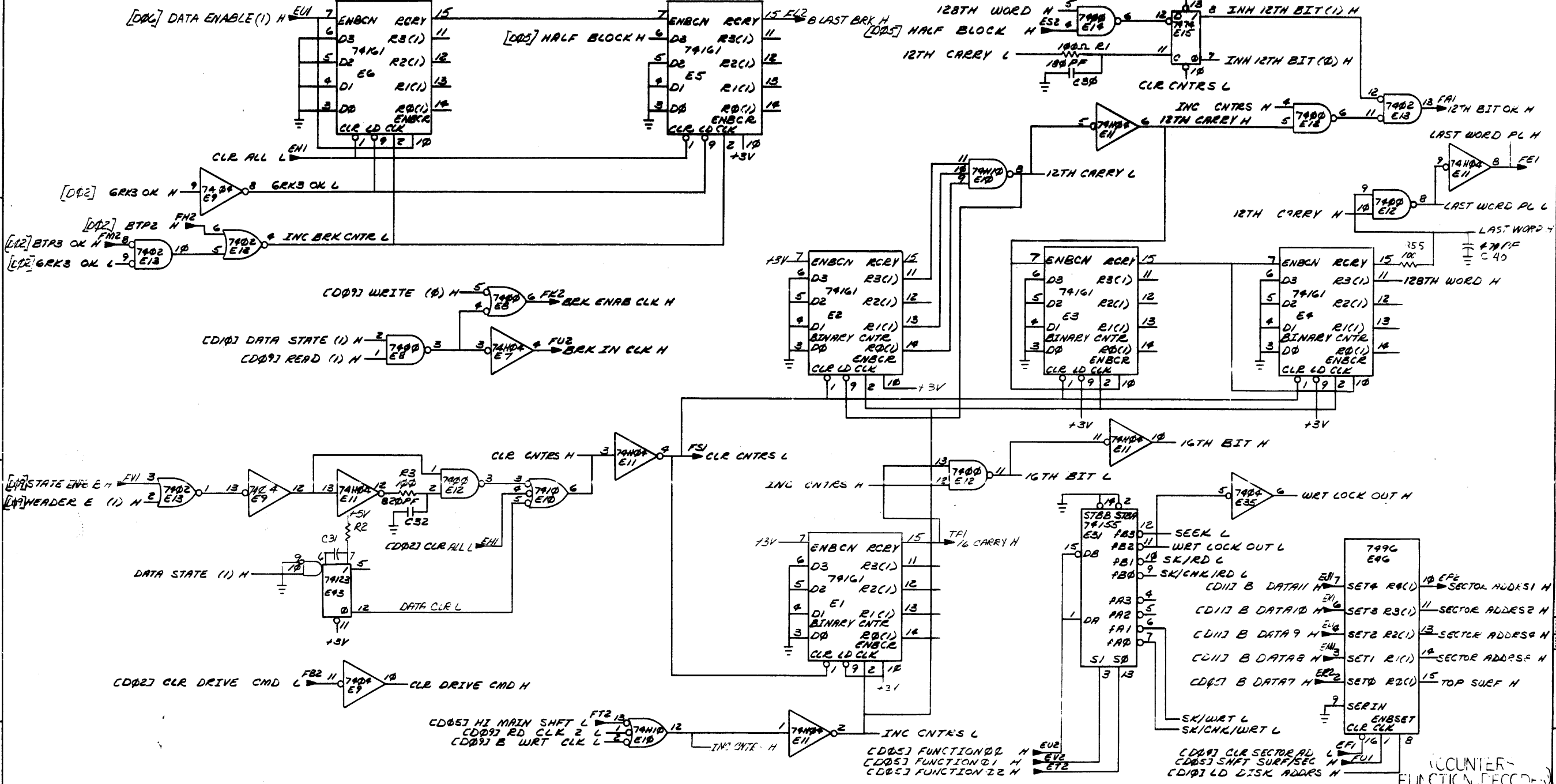


This drawing and specifications, herein, are the property of Digital Equipment Corporation and shall not be reproduced or copied or used in whole or in part as the basis for the manufacture or sale of items without written permission.



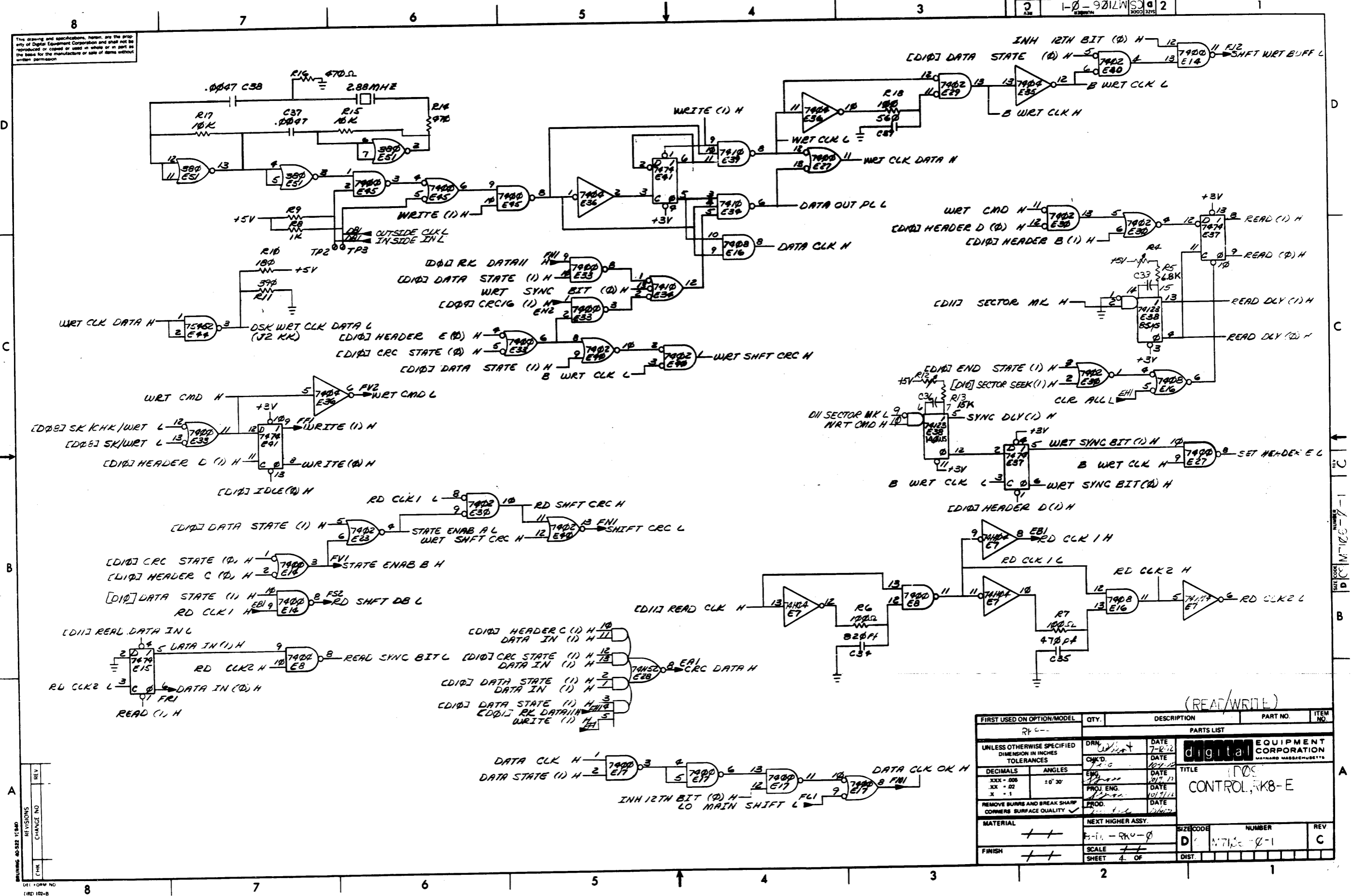
REV	DATE	BY
1	10/1/72	...
2

DEF ORN NO
DRD 102-B

FIRST USED ON OPTION/MODEL	QTY.	DESCRIPTION	PART NO.	ITEM NO.
RKE-E		PARTS LIST		
UNLESS OTHERWISE SPECIFIED DIMENSION IN INCHES TOLERANCES	DRN 20/10/72	DATE 10/1/72	digital EQUIPMENT CORPORATION MAYNARD MASSACHUSETTS	
DECIMALS	ENG	DATE	TITLE D08 CONTROL LOGIC - E	
ANGLES	PROJ ENG	DATE	SIZE CODE D CS M710 - C-1	
REMOVE BURRS AND BREAK SHARP CORNERS SURFACE QUALITY	PROD	DATE	NUMBER REV	
MATERIAL	NEXT HIGHER ASSY	SCALE	DIST	
FINISH		SHEET 3 OF		

1-2-3-4-5-6-7-8-9-10-11-12-13-14-15-16-17-18-19-20-21-22-23-24-25-26-27-28-29-30-31-32-33-34-35-36-37-38-39-40-41-42-43-44-45-46-47-48-49-50-51-52-53-54-55-56-57-58-59-60-61-62-63-64-65-66-67-68-69-70-71-72-73-74-75-76-77-78-79-80-81-82-83-84-85-86-87-88-89-90-91-92-93-94-95-96-97-98-99-100

This drawing and specifications, herein, are the property of Digital Equipment Corporation and shall not be reproduced or copied in whole or in part as the basis for the manufacture or sale of items without written permission.



REV	CHANGE NO	DESCRIPTION

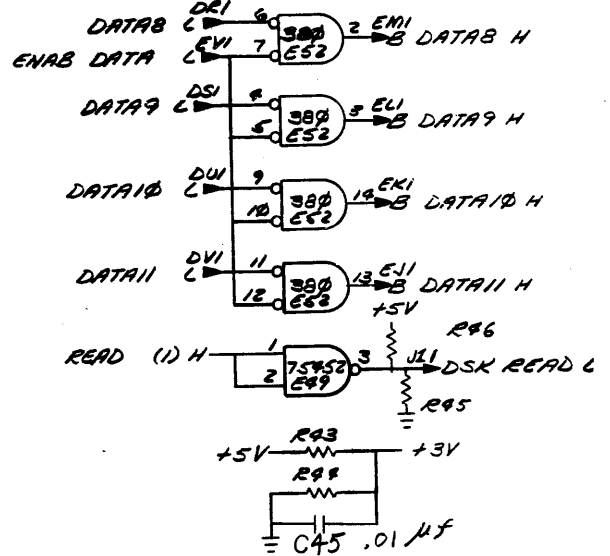
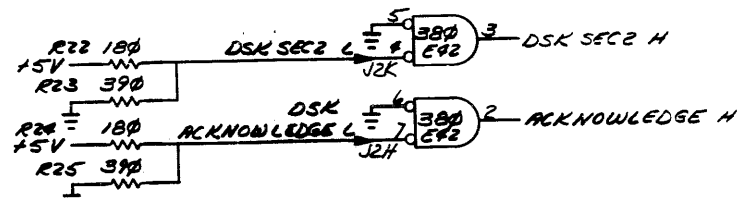
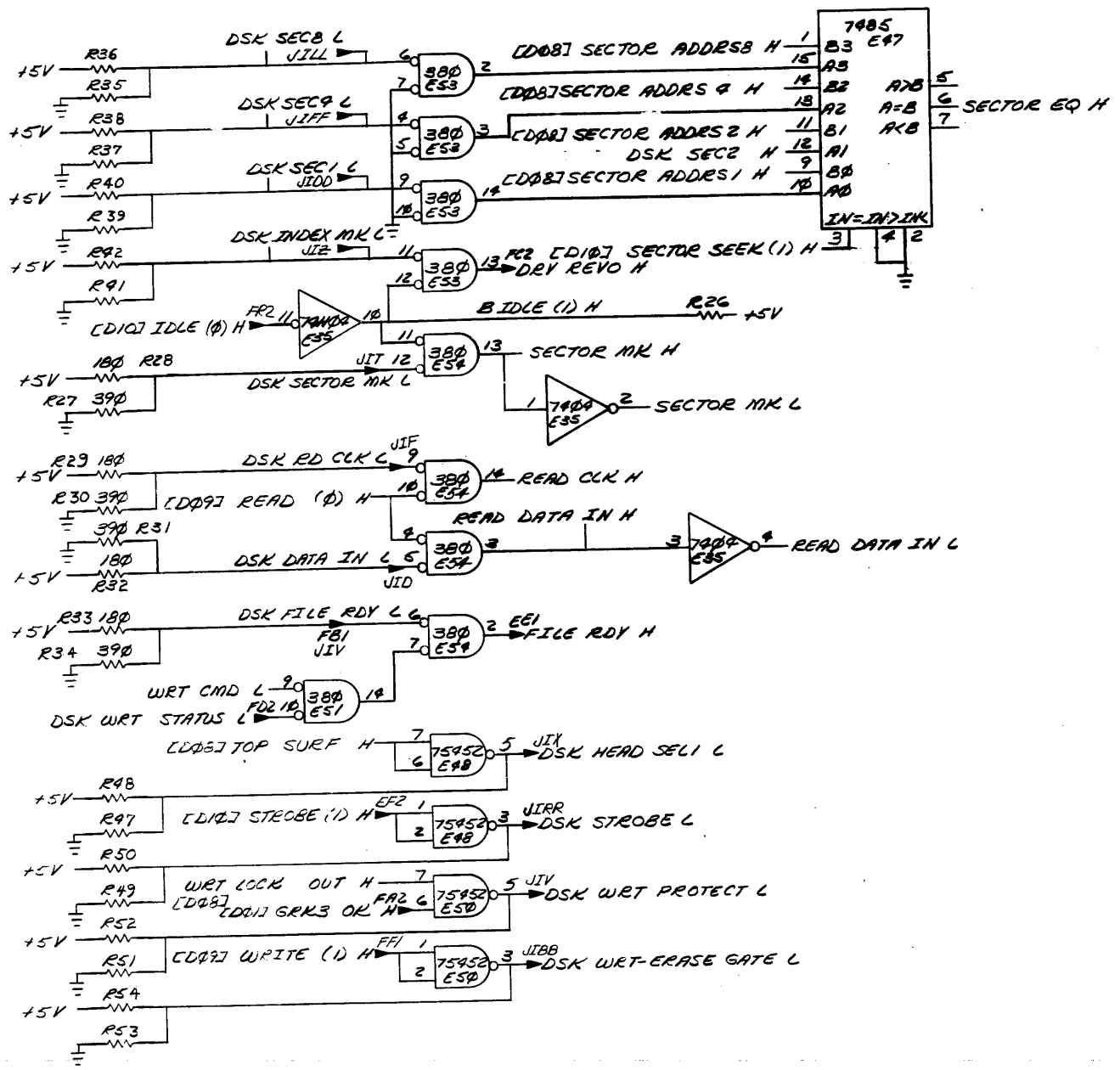
FIRST USED ON OPTION/MODEL	QTY.	DESCRIPTION	PART NO.	ITEM NO.
RF-00				
PARTS LIST				
UNLESS OTHERWISE SPECIFIED DIMENSION IN INCHES TOLERANCES		DRN: <i>[Signature]</i>	DATE: 7-2-72	 DIGITAL EQUIPMENT CORPORATION <small>MAYNARD MASSACHUSETTS</small>
DECIMALS	ANGLES	CHK'D: <i>[Signature]</i>	DATE: 10-1-72	
.XXX - .005	10' 30"	ENG: <i>[Signature]</i>	DATE: 10-1-72	
.XX - .02		PROJ. ENG: <i>[Signature]</i>	DATE: 10-1-72	
.X - .1		PROD: <i>[Signature]</i>	DATE: 10-1-72	
REMOVE BURRS AND BREAK SHARP CORNERS SURFACE QUALITY				
MATERIAL	NEXT HIGHER ASSY.			
FINISH	SCALE			
	SHEET 4 OF 4			

(READ/WRITE)

TITLE: **INOS CONTROL, RK8-E**

SIZE CODE: **D**
 NUMBER: **NT102-0-1**
 REV: **C**

This drawing and specifications, herein, are the property of Digital Equipment Corporation and shall not be reproduced or copied in whole or in part as the basis for the manufacture or sale of items without written permission.



J2

UU	DSK CYL ADB L	ET1
SS	DSK CYL AD2 L	ER2
PP	DSK CYL ADG9 L	EB2
MM	DSK CYL AD16 L	EE2
RR	DSK WRT CLK DATA L	EA4-3
HH	DSK CYL AD128 L	EE2
EE	DSK RDY S/R/W L	EL2
CC	DSK CYL AD 32 L	EJ2
AA	DSK DRIVE 0 L	ED2
Y	DSK CYL AD1 L	ES1
W	DSK DRIVE 1 L	ER1
U	DSK CYL AD4 L	EN2
S	DSK DRIVE 2 L	EP1
P	DSK RESTORE L	EA9-5
M	DSK DRIVE 3 L	EN1
K	DSK SEC 2 L	EA2-4
H	DSK ACKNOWLEDGE L	EA2-7
E	DSK SEEK FAIL L	EA2
C	DSK CAPACITY EX L	FC1
GND		B, D, F, J, L, N, R, T, V, X, Z; BB, DD, FF, JJ, LL, NN, RR, TT, VV.

J1

D	DSK DATA IN L	ES4-5
F	DSK RD CLK L	ES4-9
V	DSK WRT PROTECT L	ES0-5
L	DSK READ L	EA9-3
R	DSK WRT STATUS L	FD2
T	DSK SECTOR MK L	EA8-12
Y	DSK FILE RDY L	ES4-6
X	DSK HEAD SEL 1 L	EA8-5
E	DSK INDEX MK L	ES3-11
BA	DSK WRT-ERASE GATE L	ES0-3
DD	DSK SEC 1 L	ES5-9
FF	DSK SEC 4 L	ES3-4
LL	DSK SEC 8 L	ES3-6
RR	DSK STROBE L	EA8-3
T, T		BV2
GND		A, B, C, E, H, K, M, P, S, U, W, Y, AA, CC, EE, HH, KK, MM, PP, SS, UU.

(DRIVE SIGNALS CABLE J2 DRIVERS)

FIRST USED ON OPTION/MODEL	QTY.	DESCRIPTION	PART NO.	ITEM NO.
RK8-E		PARTS LIST		
UNLESS OTHERWISE SPECIFIED DIMENSION IN INCHES TOLERANCES	DRN	DATE 7-14-72	 digital EQUIPMENT CORPORATION MAYNARD MASSACHUSETTS TITLE (DIP) CONTROL, RK8-E	
DECIMALS .XXX = .006 .XX = .02 .X = .1	CHKD	DATE 10/1/72		
ANGLES ±0° 30'	ENGR	DATE 10/1/72		
REMOVE BURRS AND BREAK SHARP CORNERS SURFACE QUALITY	PROJ. ENGR.	DATE 10/1/72		
MATERIAL	PROD.	DATE 10/1/72	NEXT HIGHER ASSY.	
FINISH	SCALE	SHEET 6 OF	SIZE CODE	NUMBER
			DCS	M7106-0-1
				REV C

BRUNING 40-522 5840
 DEC FORM NO DRD 102-B
 REVISIONS
 CHANGE NO 1
 DATE 8/6/72
 CHK SK