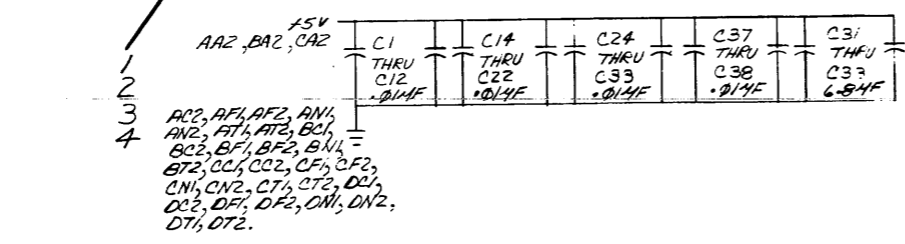
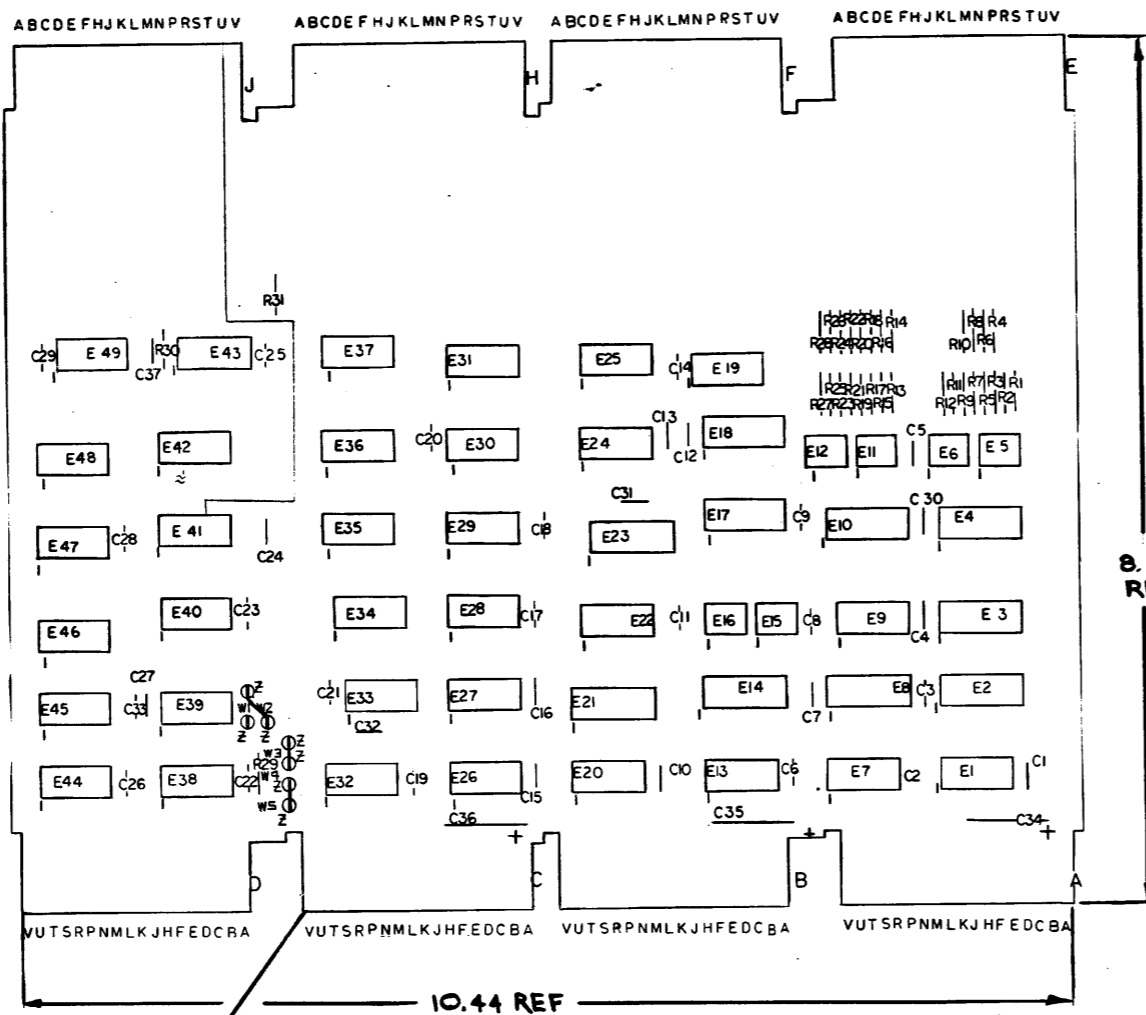


This drawing and specifications, herein, are the property of Digital Equipment Corporation and shall not be reproduced or copied or used in whole or in part as the basis for the manufacture or sale of items without written permission.

NOTES:



DEC 74155	8	16
DEC 74174	8	16
DEC 74174	8	16
DEC 74161	8	16
DEC 75452	4	8
DEC 75451	4	8
DEC 8271	8	16
DEC 384	1	8
DEC 380	1	8
IC TYPE	GND	+5V
GND AND 5V ARE USUALLY PIN 7 AND 14 RESPECTIVELY EXCEPTIONS ARE STATED ABOVE		
IC PIN LOCATIONS		

3	W2, W3, W5	HAND INSTALLED JUMPS 246A		35
7		SPLIT LUG	9006735	34
1	E46	I.C. DEC 7440	1905579	33
1	E10	I.C. DEC 74155	1910656	32
1	E23	I.C. DEC 74174	1910652	31
3	E8, E18, E21	I.C. DEC 74161	1910650	30
4	E5, E6, E15, E16	I.C. DEC 75452	1910645	29
2	E11, E12	I.C. DEC 75451	1910906	28
2	E9, E19	I.C. DEC 7496	1910363	27
3	E25, E38, E41	I.C. DEC 7408	1910155	26
1	E24	I.C. DEC 7486	1910011	25
6	E17, E20, E26, E38, E44	I.C. DEC 8881	1909705	24
2	E39, E45	I.C. DEC 74474	1909667	23
3	E3, E3, E17	I.C. DEC 8271	1909615	22
2	E42, E43	I.C. DEC 7404	1909686	21
1	E27	I.C. DEC 384	1909486	20
3	E13, E22, E32	I.C. DEC 380	1909485	19
1	E33	I.C. DEC 74411	1909267	18
1	E9	I.C. DEC 74452	1909061	17
1	E37	I.C. DEC 74410	1909057	16
2	E28, E47	I.C. DEC 7402	1909004	15
6	E19, E29, E31, E36, E40, E49	I.C. DEC 7400	1905575	14
3	E34, E35, E48	I.C. DEC 7474	1905547	13
14	R2, R5, R6, R9, R10, R12, R15, R16, R17, R20, R23, R24, R27, R28	RESISTOR, 100Ω, 1/4W, 5%	1301322	12
1	R29	RESISTOR, 1K, 1/4W, 5%	1300365	11
14	R1, R3, R4, R7, R8, R11, R13, R14, E13, R18, R21, R22, R25, R26	RESISTOR, 390Ω, 1/4W, 5%	1300309	10
2	R30	RESISTOR, 100Ω, 1/4W, 5%	1300229	9
32	C1 THRU C33	CAP., 0.1μF, 100V, 20% DISC	1001610	8
3	C34 THRU C36	CAP., 6.8μF, 35V, 20% STANT	1000067	7
1	R31	RES. 10, 1/4W, 5%	1301317	6
1	C37	CAP., 470pF, 100V, 5%, D.M.	1000024	5
1		ETCHED CIRCUIT BOARD	5010065	4
REF		MODULE ECO HISTORY	B-114-N7105-B-4	3
REF		ASSY DRILLING HOLE LAYOUT	D-114-N7105-B-5	2
REF		X-Y COORDINATE HOLE LOCATION	K-CO-N7105-B-1	1
QTY	REF DESIGNATION	DESCRIPTION	PART NO.	ITEM NO.

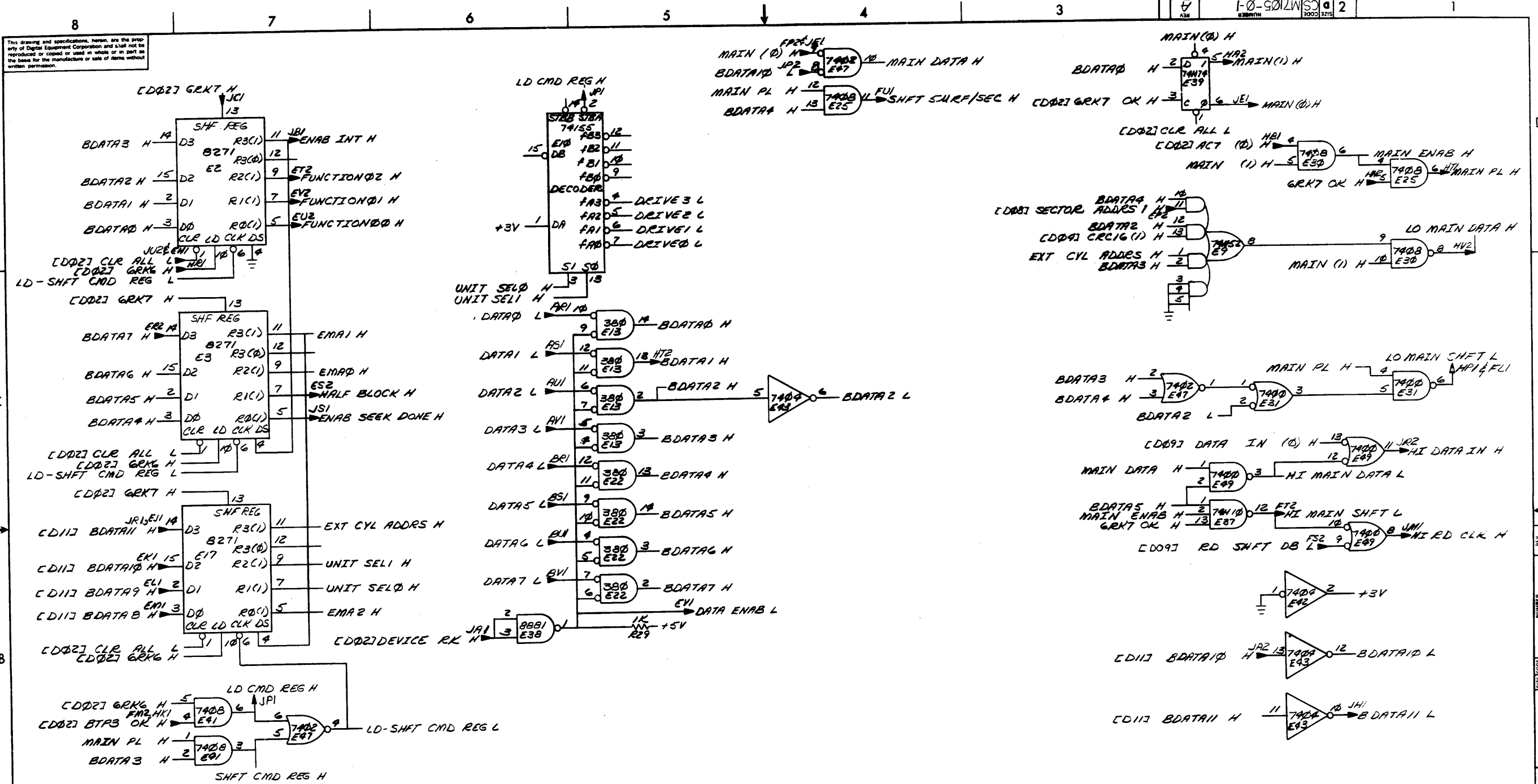
FIRST USED ON OPTION MODEL
+ +

CHK	CHANGE NO.	REV	REVISIONS
DEC NO.	EIA NO.	DEC NO.	EIA NO.
SEMICONDUCTOR CONVERSION CHART			
SCALE	2 OF	DIST.	

DRN	DATE	DATE	DATE
CHKD	DATE	DATE	DATE
ENG	DATE	DATE	DATE
PROJ. ENG.	DATE	DATE	DATE
PROD.	DATE	DATE	DATE
NEXT HIGHER ASSY			
D-UA-RK8-E-0			
SCALE	2 OF	DIST.	

EQUIPMENT CORPORATION MAYLAND, MASSACHUSETTS	
TITLE MAJOR REGISTERS	
SIZE CODE D	NUMBER DICS M7105-0-1
REV. D	

This drawing and specifications, herein, are the property of Digital Equipment Corporation and shall not be reproduced or copied or used in whole or in part as the basis for the manufacture or sale of items without written permission.



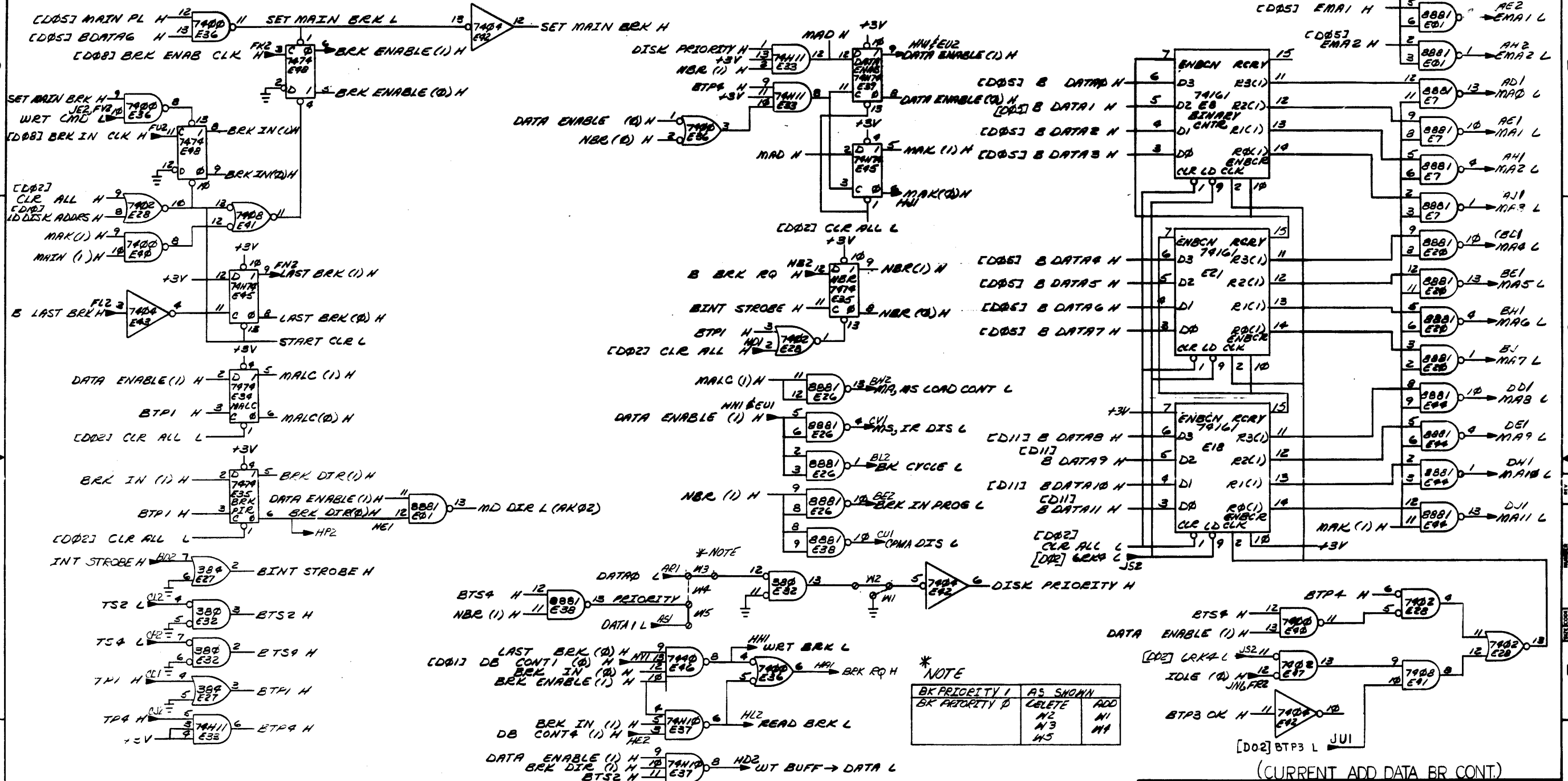
(COMMAND REG. MAINT. LOGIC)

FIRST USED ON OPTION/MODEL	QTY.	DESCRIPTION	PART NO.	ITEM NO.
RK8-E				
UNLESS OTHERWISE SPECIFIED DIMENSION IN INCHES TOLERANCES		DRN <i>advent</i>	DATE 6-13-72	digital EQUIPMENT CORPORATION MAYNARD MASSACHUSETTS
DECIMALS .XXX = .005 .XX = .02 .X = .1	ANGLES ±0° 30'	CHK'D <i>7/2/72</i>	DATE 6-7-72	
REMOVE BURRS AND BREAK SHARP CORNERS SURFACE QUALITY		ENG <i>W</i>	DATE 10/2/72	TITLE (D05)
		PROJ. ENG. <i>W</i>	DATE 12/9/72	MAJOR REGISTER
MATERIAL	NEXT HIGHER ASSY.	PROD. <i>W</i>	DATE 10/1/72	
FINISH	B-DD-RK8-0			
	SCALE			
	SHEET 4 OF 6			
	DIST.			

REVISIONS
 CHANGE NO. 1048-1-72
 CHK PPH

PART NUMBER
 CS M7105-0-1
 REV. A

This drawing and specifications, herein, are the property of Digital Equipment Corporation and shall not be reproduced or copied in whole or in part or the basis for the manufacture of any items without written permission.



* NOTE

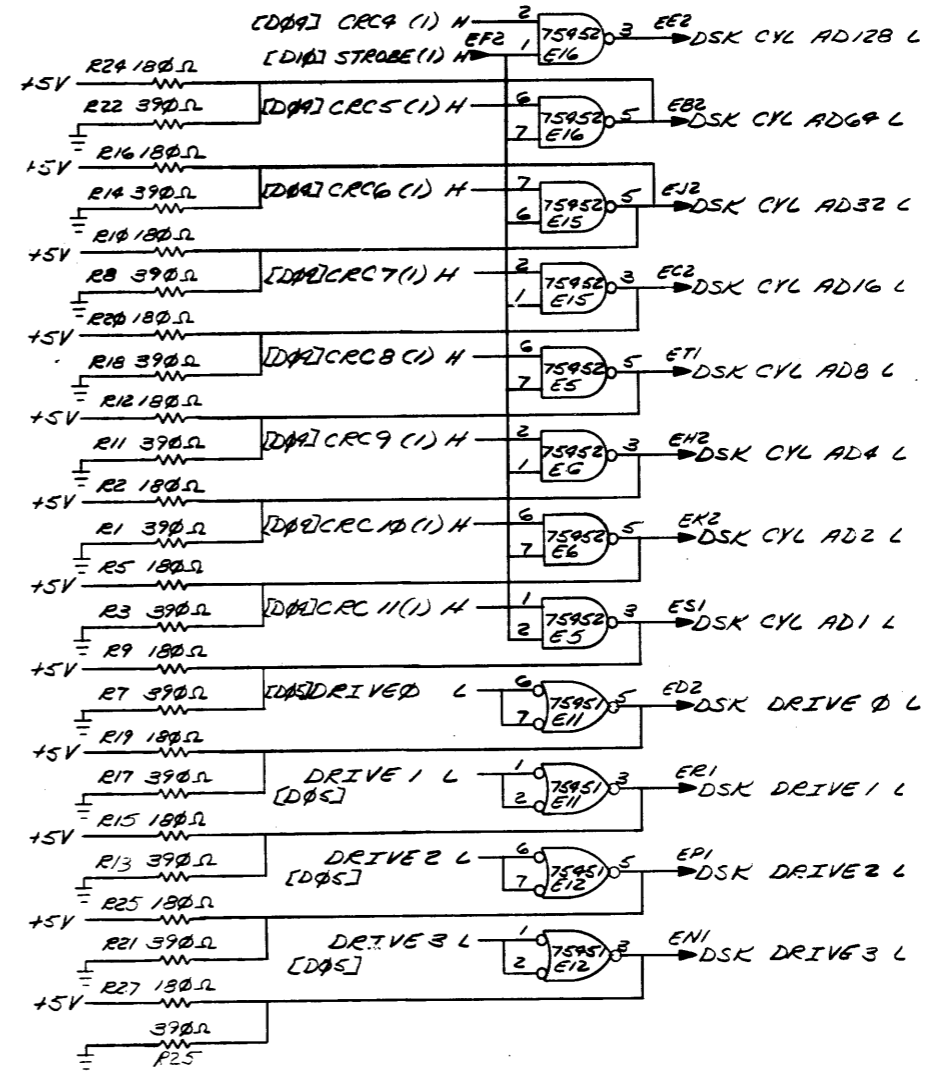
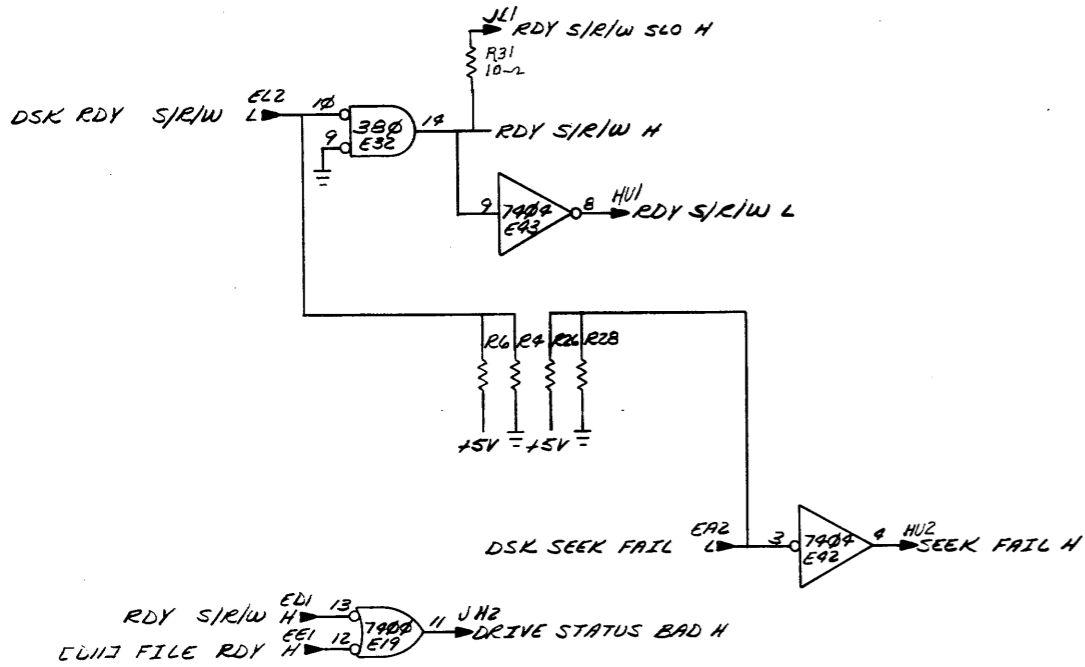
BK PRIORITY 1	AS SHOWN	ADD
BK PRIORITY 0	DELETE	N1
	N2	N3
	N3	N4
	N4	N5

(CURRENT ADD DATA BR CONT.)

FIRST USED ON OPTION/MODEL	QTY.	DESCRIPTION	PART NO.	ITEM NO.
RK8-E				
PARTS LIST				
UNLESS OTHERWISE SPECIFIED DIMENSION IN INCHES TOLERANCES	DRN <i>Axibent</i>	DATE 6-14-70	EQUIPMENT CORPORATION MAYNARD MASSACHUSETTS	
DECIMALS .XXX - .005 .XX - .02 .X - .1	CHK'D <i>De...</i>	DATE 10-1-70		
ANGLES ±0° 30'	ENGR <i>De...</i>	DATE 10/1/70	TITLE (D06) MAJOR REGISTERS	
REMOVE BURRS AND BREAK SHARP CORNERS SURFACE QUALITY	PROJ. ENGR <i>De...</i>	DATE 10/1/70		
MATERIAL	NEXT HIGHER ASSY.	SIZE CODE	NUMBER	REV.
FINISH	B-DD-RK8-0	D	CS M7105-0-1	C
SCALE	SHEET 5 OF	DIST.		

REVISIONS
NO. CHANGE NO.
CHK

This drawing and specifications, herein, are the property of Digital Equipment Corporation and shall not be reproduced or copied or used in whole or in part as the basis for the manufacture or sale of items without written permission.



(DRIVE SIGNALS CABLE J1)

FIRST USED ON OPTION/MODEL	QTY.	DESCRIPTION	PART NO.	ITEM NO.
RK8-E				
PARTS LIST				
UNLESS OTHERWISE SPECIFIED DIMENSION IN INCHES TOLERANCES	DRN. <i>Akibot</i>	DATE 6-14-72	digital EQUIPMENT CORPORATION MAYNARD MASSACHUSETTS TITLE (D07) MAJOR REGISTERS	
DECIMALS ANGLES	CHK'D.	DATE		
.XXX = .005 .XX = .02 X = .1	ENG. <i>[Signature]</i>	DATE 10/11/72		
REMOVE BURRS AND BREAK SHARP CORNERS SURFACE QUALITY	PROJ. ENG. <i>[Signature]</i>	DATE 4/13/72		
MATERIAL	PROD. <i>[Signature]</i>	DATE 8/14/72		
FINISH	NEXT HIGHER ASSY.		SIZE CODE	NUMBER
++	D-VA-RK8-E-0		D CS	M7105-0-1
	SCALE		SHEET	REV
	6 OF		6	3

REV	CHG	DATE	BY
1		8/1/72	[Signature]