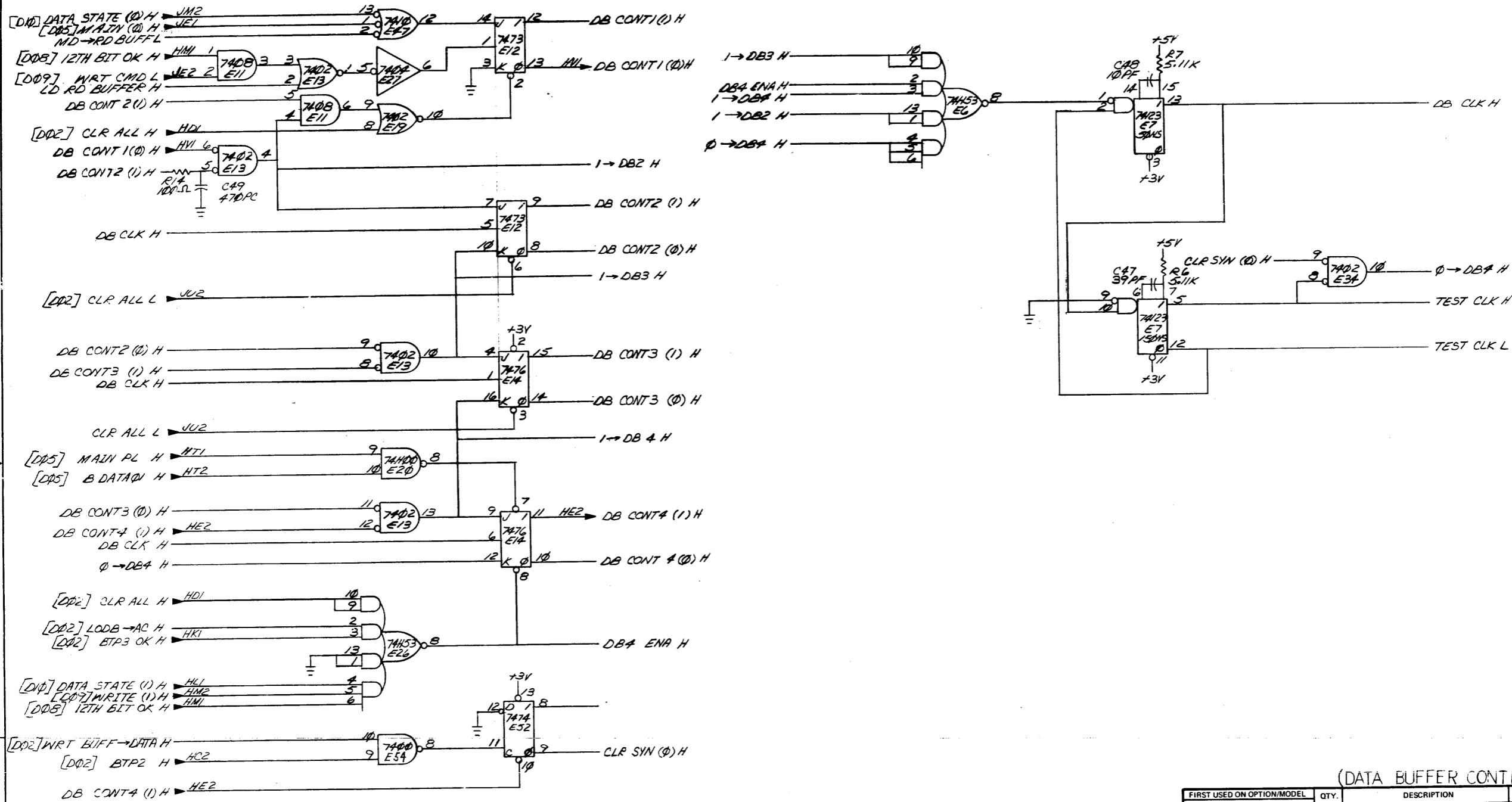


Drawing and specifications, herein, are the property of Digital Equipment Corporation and shall not be reproduced or copied or used in whole or in part as the basis for the manufacture or sale of items without written permission. © 1976 ORIGINAL EQUIP. CORP.



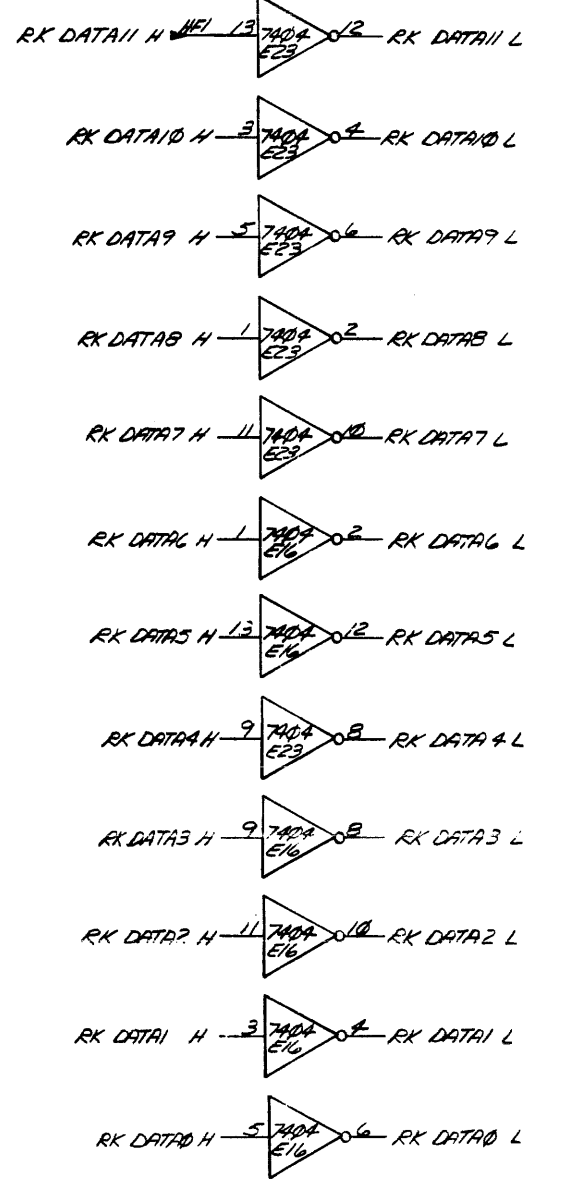
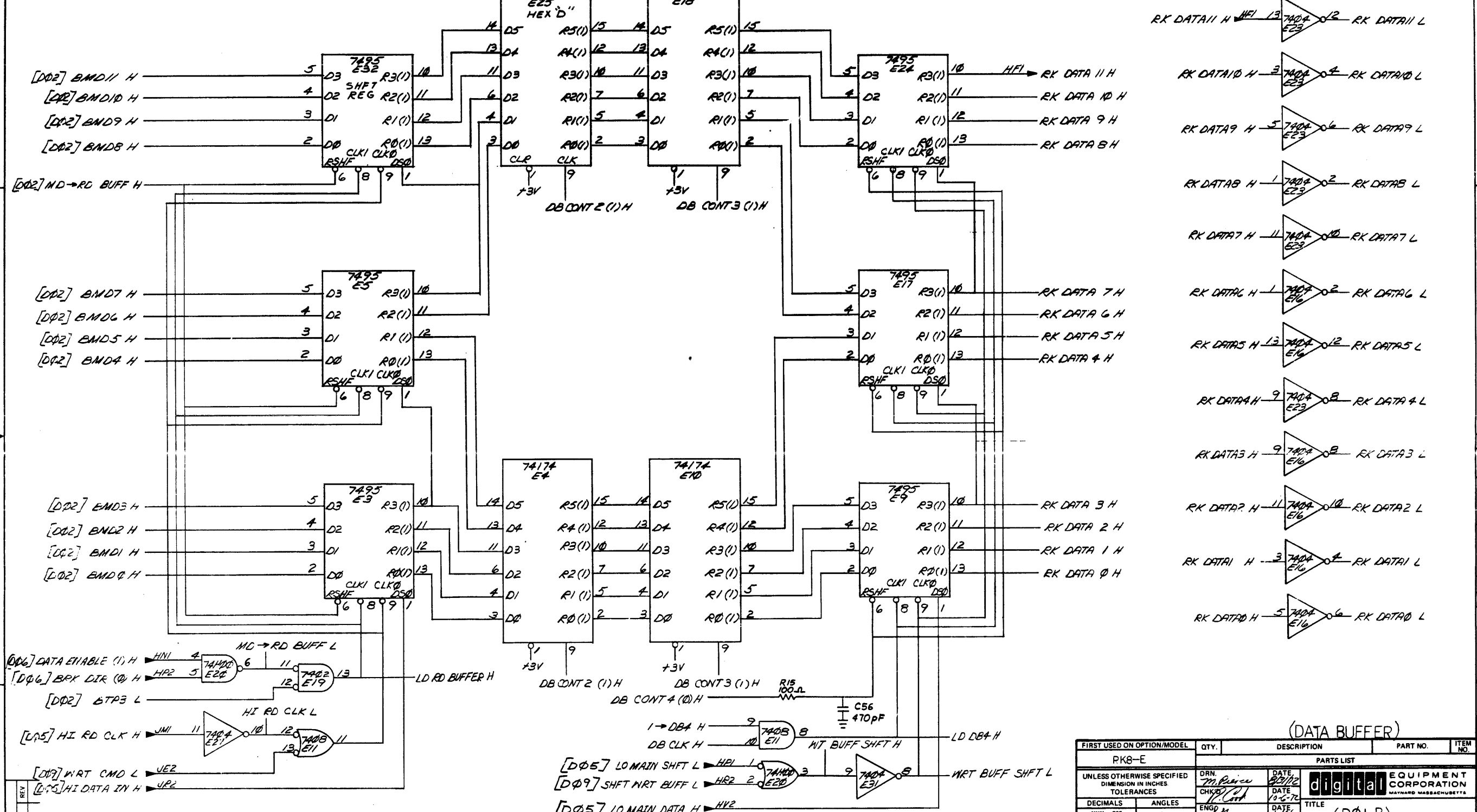
(DATA BUFFER CONTROL)

FIRST USED ON OPTION/MODEL	QTY.	DESCRIPTION	PART NO.	ITEM NO.
RK8-E				
PARTS LIST				
UNLESS OTHERWISE SPECIFIED DIMENSION IN INCHES. TOLERANCES		DRN <i>m. Riva</i> DATE <i>9/1/72</i> CHK'D <i>W. Cook</i> DATE <i>10-7-72</i> ENGR <i>W. Cook</i> DATE <i>10/1/72</i> PROJ. ENG. <i>W. Cook</i> DATE <i>10/1/72</i> PROD. <i>W. Cook</i> DATE <i>10/1/72</i>		
DECIMALS .XXX = .005 .XX = .02 .X = .1	ANGLES ±0° 30'	digital EQUIPMENT CORPORATION MAYNARD, MASSACHUSETTS TITLE (D01A) DATA BUF & STATUS		
REMOVE BURRS AND BREAK SHARP CORNERS SURFACE QUALITY ✓		NEXT HIGHER ASSY.		
MATERIAL		B-DD-RK8-0	SIZE CODE	NUMBER
FINISH			DCS M7104-0-1	REV. B
SCALE		SHEET 3 OF 7		
DIST.				

BRUNNING 40-522 15840
 DEC FORM NO. DRD 102-B

REV. B
 NUMBER DCS M7104-0-1

The drawing and specifications, herein, are the property of Digital Equipment Corporation and shall not be reproduced or copied in whole or in part as the basis for the manufacture or sale of items without written permission of R7L Digital Equipment Corp.



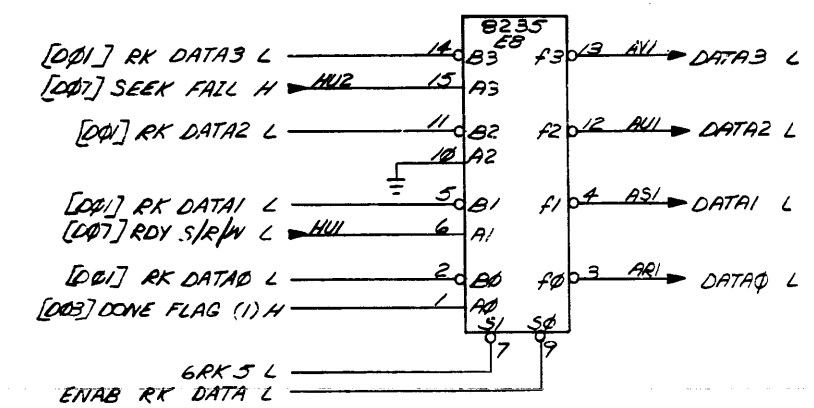
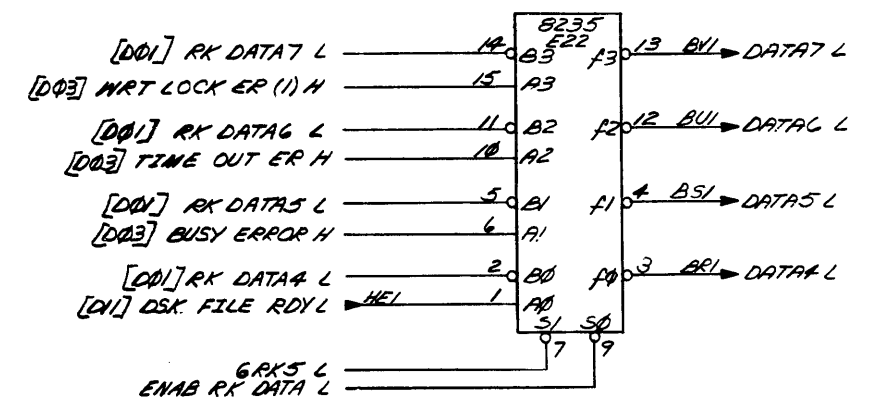
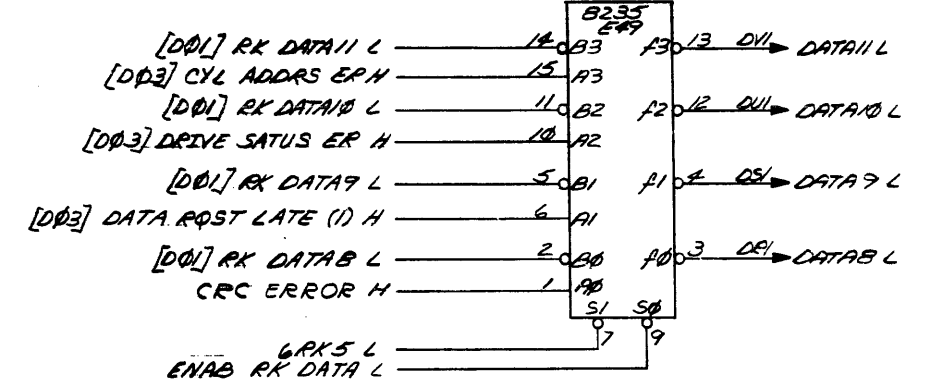
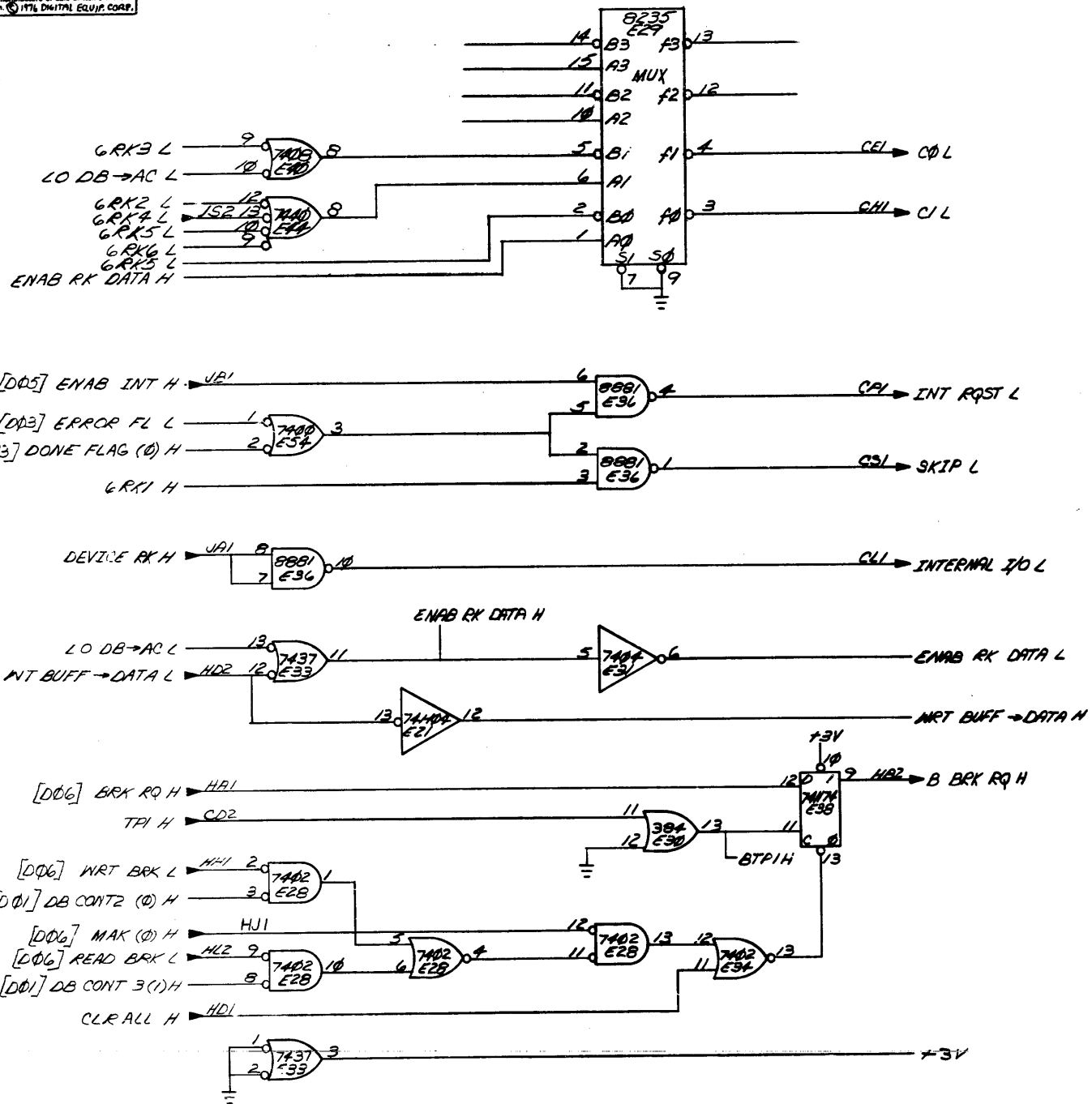
REV	CHG	NO	DESCRIPTION

(DATA BUFFER)

FIRST USED ON OPTION/MODEL	QTY.	DESCRIPTION	PART NO.	ITEM NO.
RK8-E				
PARTS LIST				
UNLESS OTHERWISE SPECIFIED DIMENSION IN INCHES TOLERANCES		DRN: <i>M. Reice</i> DATE: <i>8/21/72</i> CHKD: <i>V. Cook</i> DATE: <i>1/26/72</i> ENGR: <i>Shaw</i> DATE: <i>10/1/72</i> PROJ. ENG. DATE: <i>11/6/72</i> PROD. DATE: <i>11/6/72</i>		
DECIMALS .xxx = .005 .xx = .02 .x = .1	ANGLES ±0° 30'	TITLE (D01 B) DATA BUF & STATUS		
REMOVE BURRS AND BREAK SHARP CORNERS SURFACE QUALITY		NEXT HIGHER ASSY.		
MATERIAL	FINISH	SIZE CODE	NUMBER	REV
		B-DD-RK8-0	D C S M 7104-0-1	B
SHEET 4 OF 7		DIST.		

REV. B NUMBER DCSM7104-0-1

This drawing and specifications, herein, are the property of Digital Equipment Corporation and shall not be reproduced or copied in whole or in part as the basis for the manufacture or sale of items without written permission. © 1976 Digital Equipment Corporation.

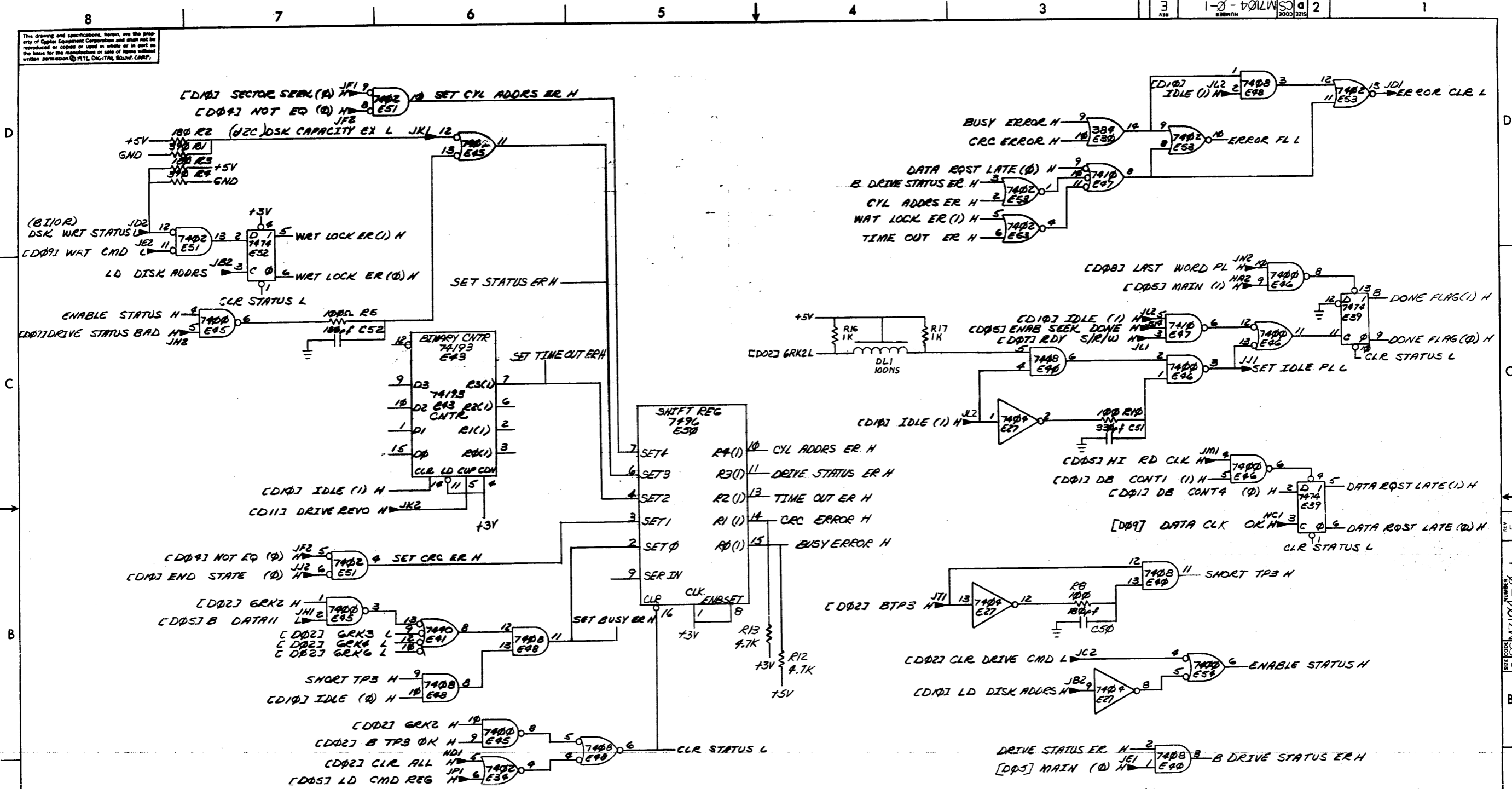


(OMNIBUS DRIVERS)

FIRST USED ON OPTION/MODEL	QTY.	DESCRIPTION	PART NO.	ITEM NO.		
RKB-E		PARTS LIST				
UNLESS OTHERWISE SPECIFIED DIMENSION IN INCHES TOLERANCES	DRN <i>Dr. R. W. H. H.</i>	DATE 10/4/72	digital EQUIPMENT CORPORATION MAYNARD MASSACHUSETTS TITLE (D02A) DATA BUF & STATUS			
DECIMALS .XXX = .005 .XX = .02 .X = .1	CHKD <i>R. Cook</i>	DATE 10/17/72				
ANGLES ±0° 30'	ENG. <i>Allyson</i>	DATE 10/17/72				
REMOVE BURRS AND BREAK SHARP CORNERS SURFACE QUALITY	PROJ. ENG. <i>10-022</i>	DATE <i>10/17/72</i>				
MATERIAL	PROD. <i>Imp. Imp. Imp. Imp.</i>	DATE	NEXT HIGHER ASSY.			
FINISH			B-DD-RKE-0	SIZE CODE	NUMBER	REV.
				D CS M7104-0-1	B	
			SCALE	1+		
			SHEET	5 OF 7		

REV.	CHANGE NO.	REVISIONS

This drawing and specifications, herein, are the property of Digital Equipment Corporation and shall not be reproduced or copied or used in whole or in part as the basis for the manufacture or sale of items without written permission of D.E.C. 1976, DIGITAL, BURLINGAME, CALIF.



(STATUS REGISTER ERROR DETECT)

FIRST USED ON OPTION/MODEL	QTY.	DESCRIPTION	PART NO.	ITEM NO.
RK8-E				
PARTS LIST				
UNLESS OTHERWISE SPECIFIED DIMENSION IN INCHES TOLERANCES	DRN <i>akibant</i>	DATE 7-11-72	 digital EQUIPMENT CORPORATION MAYFORD MASSACHUSETTS	
DECIMALS	CHK'd <i>llb</i>	DATE 4/6/72		
ANGLES	ENG <i>Shore</i>	DATE 7/11/72		
.XXX - .005 .XX - .02 .X - .1	PROJ. ENG. <i>Shore</i>	DATE 10/6/72		
REMOVE BURRS AND BREAK SHARP CORNERS SURFACE QUALITY	PROD. <i>Shore</i>	DATE	TITLE (D03) DATA BUF & STATUS	
MATERIAL	NEXT HIGHER ASSY.			
FINISH				
	D-UA-RK8-E-0	SIZE CODE	NUMBER	REV.
		DCS M7104-0-1		E
	SCALE			
	SHEET 7 OF -	DIST.		

REV	CHG	NO	DATE	BY
1	OK	1-22	7/11/72	AK
2	OK	1-22	7/11/72	AK