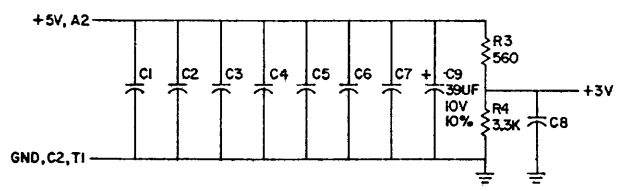
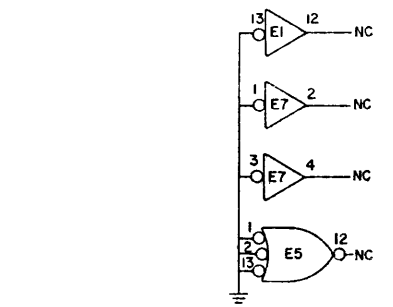
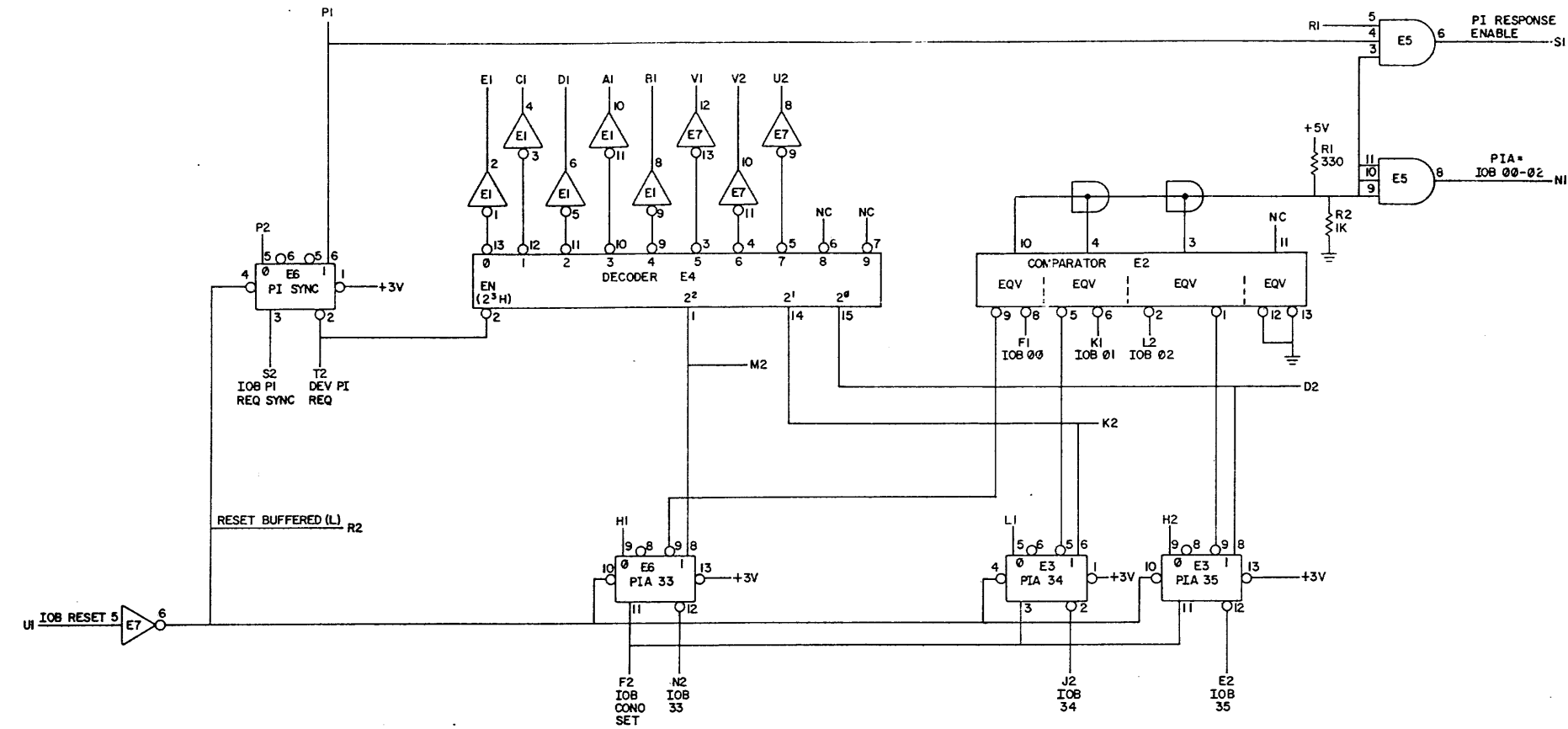
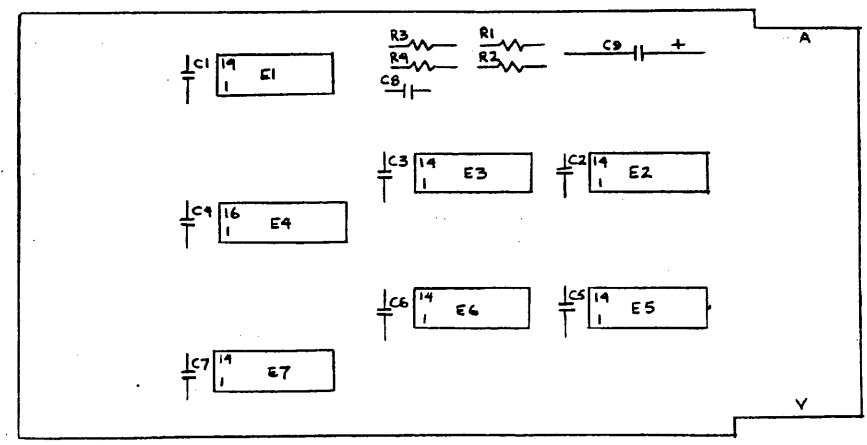


THIS SCHEMATIC IS FURNISHED ONLY FOR TEST AND MAINTENANCE PURPOSES. THE CIRCUITS ARE PROPRIETARY IN NATURE AND SHOULD BE TREATED ACCORDINGLY. COPYRIGHT 1970 BY DIGITAL EQUIPMENT CORPORATION



UNLESS OTHERWISE INDICATED:  
 E1, E7 = DEC1074H04  
 E5 = DEC1074H11  
 E4 = DEC8251  
 E2 = DEC8242  
 E3, E6 = DEC1074H74  
 PIN 7 = GND ON E1-E3, E5-E7  
 PIN 14 = +5V  
 PIN 8 = GND ON E4  
 PIN 16 = +5V  
 CAPACITORS = .01UF, 100V, 20%  
 RESISTORS = 1/4W, 5%



REF. NO.	QTY.	DESCRIPTION
17	1	9008337-06 HANDLE, FLIP CHIP - M8251A
16	2	9006732 EYELET 8GE 4-7
15	2	1910463 I.C. DEC1074H04
14	1	1909712 I.C. DEC 8242
13	2	1910558 I.C. DEC1074H74
12	1	1909594 I.C. DEC 8251
11	1	1910465 I.C. DEC1074H11
10	1	1301890 RES. 560, 1/4W, 5%
9	1	1300439 R.S. 3.3K, 1/4W, 5%
8	1	1300365 RES. 1K, 1/4W, 5%
7	1	1300295 RES. 330, 1/4W, 5%
6	1	1001610 CAP. .01UF, 100V, 20%
5	1	1000076 CAP. .39UF, 10V, 10% S. TANT
4	1	5009374 ETCHED CIRCUIT BOARD
3	1	B-MH-M7100-0-6 MODULE ECO HISTORY
2	1	C-AR-M7100-0-5 ASSY/DRILLING HOLE LAYOUT
1	1	K-CG-M7100-0-4 X-Y COORDINATE HOLE LOCATION
DEC PART NO.		DESCRIPTION

REVISIONS DATE 12/78/70 BY NANCY ROSE CHECKED BY S. WATSON DESIGNED BY S. WATSON DRAWN BY S. WATSON DATE 1-10-71 DATE 1-10-71 DATE 1-10-71	TRANSISTOR & DIODE CONVERSION CHART DEC    EIA    DEC    EIA	digital EQUIPMENT CORPORATION NUMBER M7100-0-1 PRINTED CIRCUIT REV. B	TITLE IO DEVICE CONTROL M7100 REV. D CS DATE 1-10-71
--	---	--	--

REV. C M7100-0-1