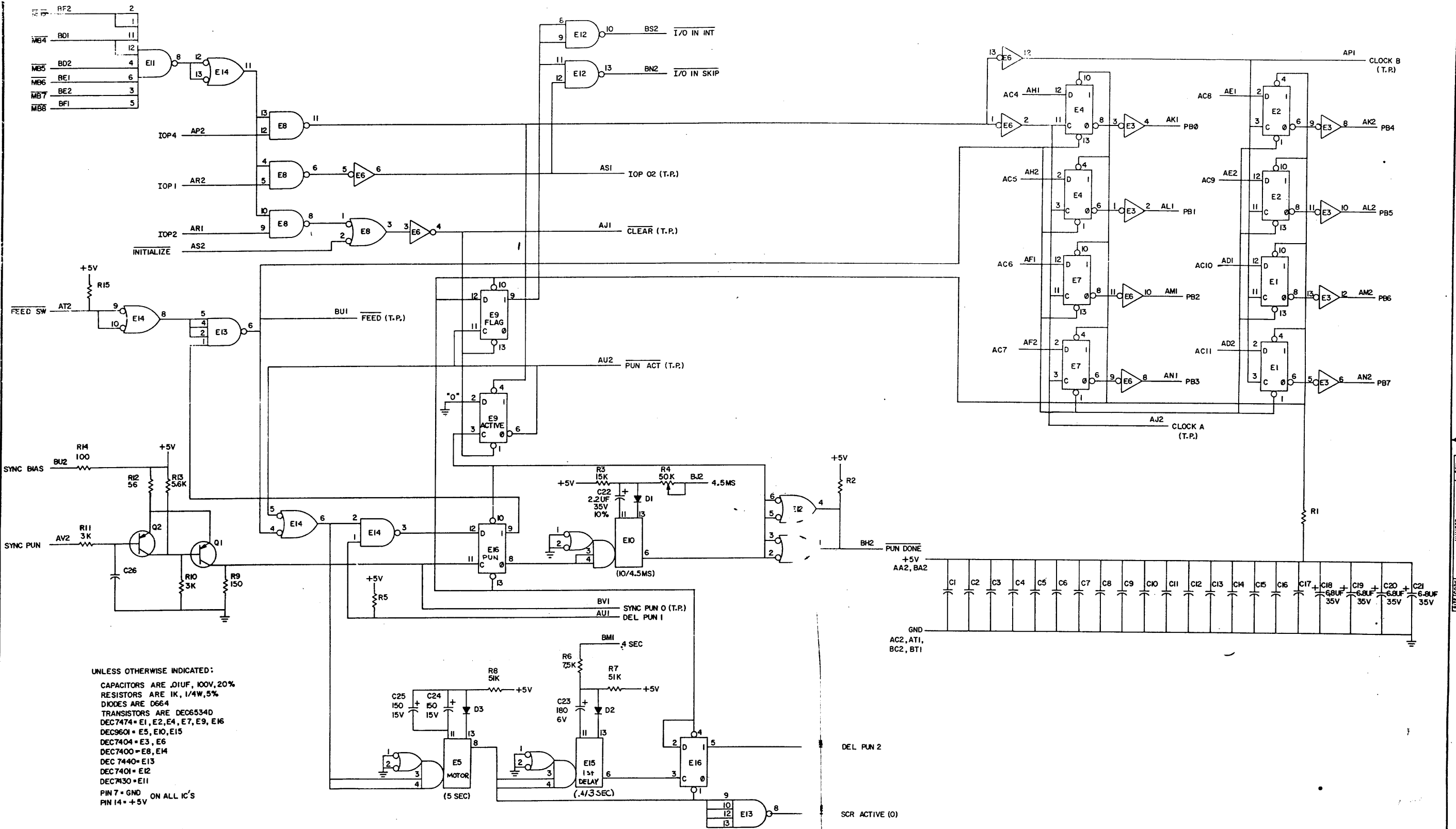


THIS SCHEMATIC IS FURNISHED ONLY FOR TEST AND MAINTENANCE PURPOSES. THE CIRCUITS ARE PROPRIETARY IN NATURE AND SHOULD BE TREATED ACCORDINGLY. COPYRIGHT 1970 BY DIGITAL EQUIPMENT CORPORATION.

1-0-012W
SS 0
ADD 1/15



UNLESS OTHERWISE INDICATED:
 CAPACITORS ARE .01UF, 100V, 20%
 RESISTORS ARE 1K, 1/4W, 5%
 DIODES ARE D664
 TRANSISTORS ARE DEC6534D
 DEC7474 = E1, E2, E4, E7, E9, E16
 DEC9601 = E5, E10, E15
 DEC7404 = E3, E6
 DEC7400 = E8, E14
 DEC7440 = E13
 DEC7401 = E12
 DEC7430 = E11
 PIN 7 = GND ON ALL IC'S
 PIN 14 = +5V

REV	DATE	BY	CHKD
1	1-9-71		
2	11/71		
3	2/11/71		
4	3/71		

TRANSISTOR & DIODE CONVERSION CHART			
DEC	EIA	DEC	EIA
D664	2N3638		
DEC6534D	NONE		

digital		TITLE	
EQUIPMENT CORPORATION		PUNCH CONTROL M710	
SIZE	CODE	NUMBER	REV.
D	CS	M710-0-1	K
PRINTED CIRCUIT REV.		H	

REV. K
 NUMBER M710-0-1
 SIZE CODE D CS