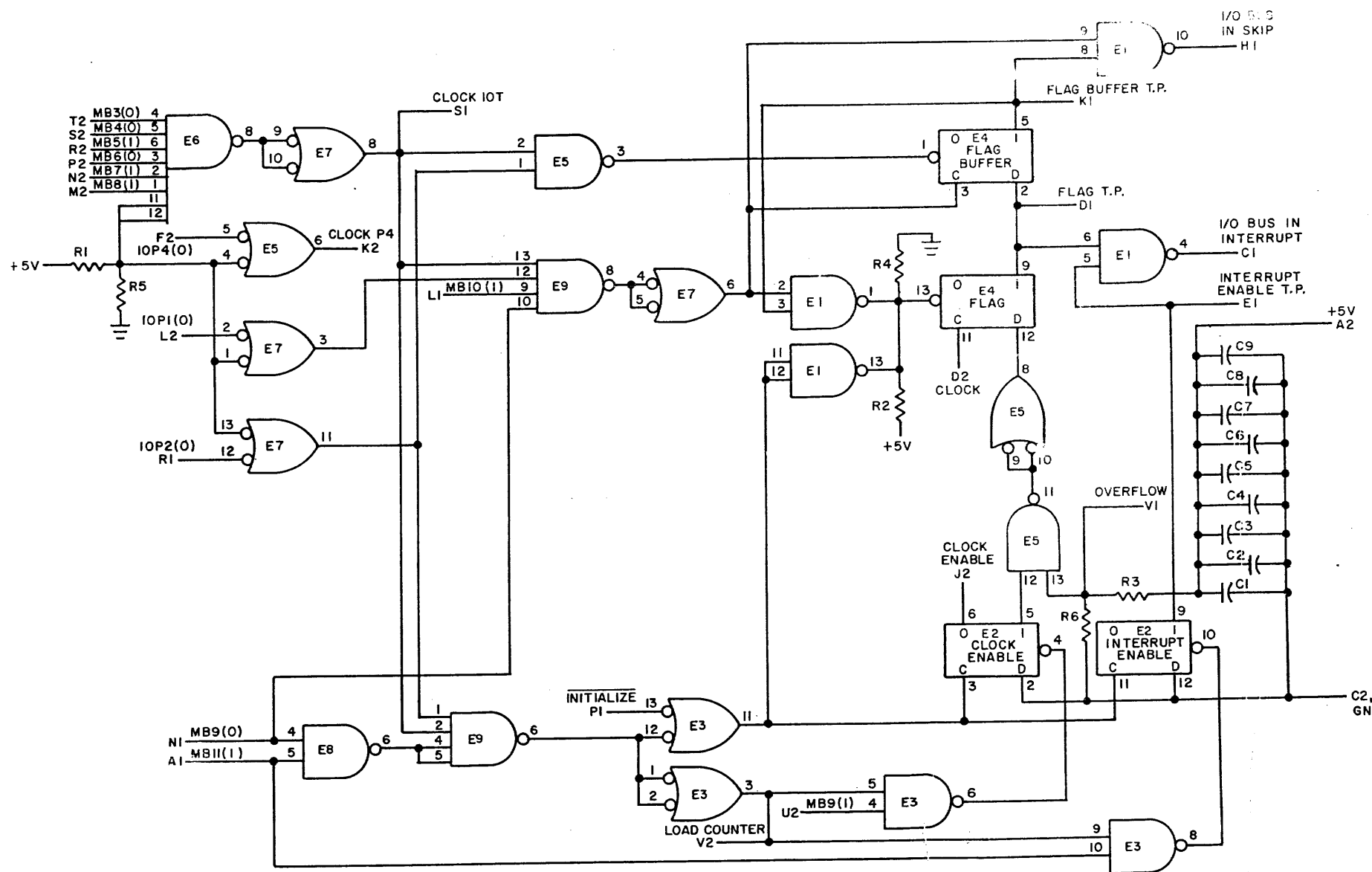


THIS SCHEMATIC IS FURNISHED ONLY FOR TEST AND MAINTENANCE PURPOSES. THE CIRCUITS ARE PROPRIETARY IN NATURE AND SHOULD BE TREATED ACCORDINGLY. COPYRIGHT 1968 BY DIGITAL EQUIPMENT CORPORATION



R4 - R6	RES. 1.5K 1/4W 5% CC	1300391
E9	INTEGRATED CKT. DEC7420N	1905577
E3, E5, E7, E8	INTEGRATED CKT. DEC7400N	1905575
E6	INTEGRATED CKT. DEC7430N	1905578
E2, E4	INTEGRATED CKT. DEC7474N	1905547
E1	INTEGRATED CKT. DEC7401N	1905590
R1 - R3	RES. 750 1/4W 5% CC	1301401
C1 - C9	CAP. .01MFD 100V 20% DISC	1001610
	PARTS LIST	A-PL-M708-0-0
REFERENCE DESIGNATION	DESCRIPTION	PART NO.

REV.	CHG	NO.	REV.
A		00001	
B		00002	
C		00003	

DRN. *Dr. Waller* DATE *3-5-68*  
 CHK'D. *[Signature]* DATE *3/21/68*  
 ENG. *[Signature]* DATE *4/11/68*  
 PROD. DATE

TRANSISTOR & DIODE CONVERSION CHART			
DEC	EIA	DEC	EIA

**digital** EQUIPMENT CORPORATION  
 MAYNARD, MASSACHUSETTS

TITLE: **CLOCK CONTROL M708**

SIZE: C CODE: CS NUMBER: M708-0-1 REV: C

PRINTED CIRCUIT REV. C

REV. C  
 NUMBER M708-0-1  
 SIZE CODE C

PINK 101 344 1834 16-3