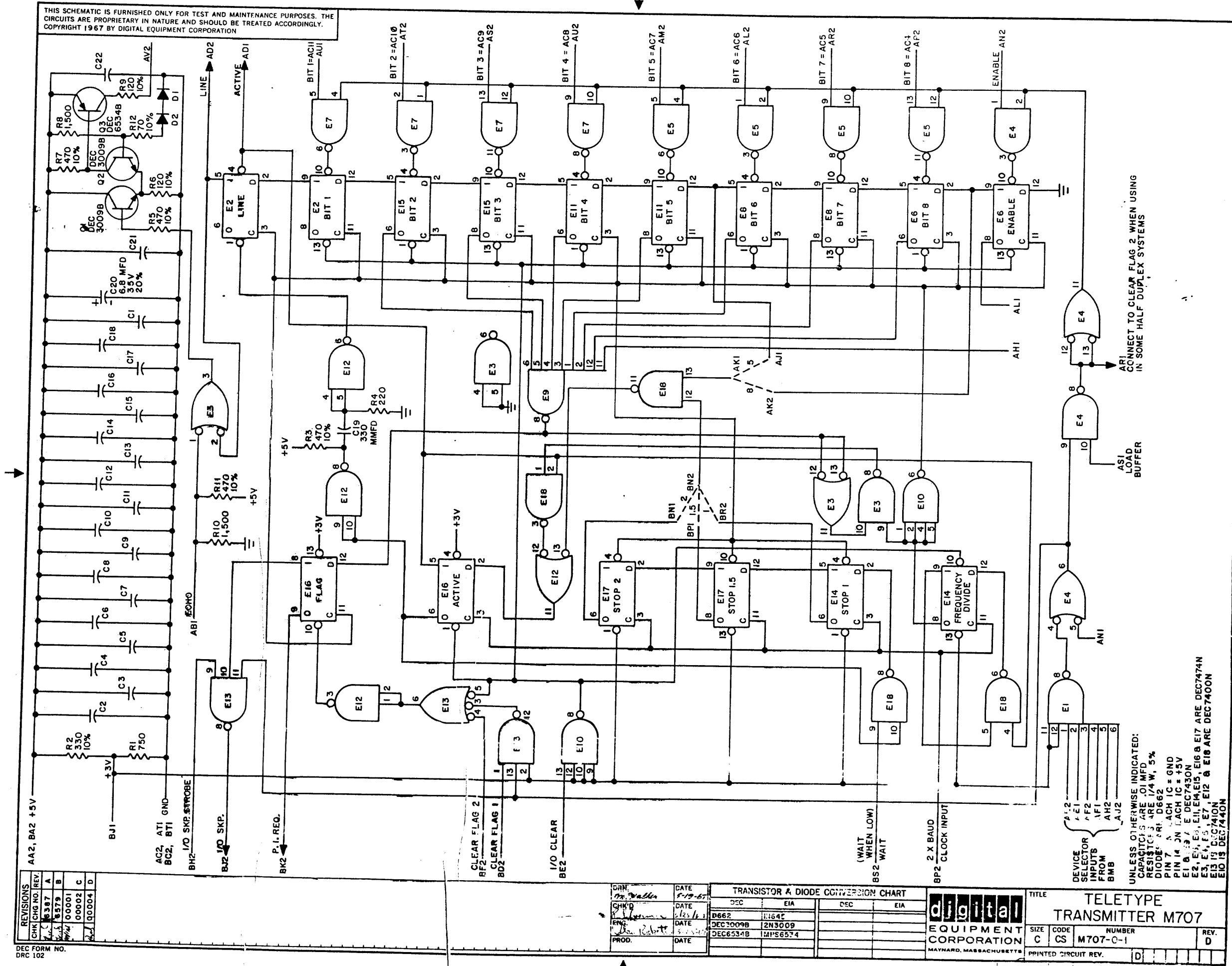


THIS SCHEMATIC IS FURNISHED ONLY FOR TEST AND MAINTENANCE PURPOSES. THE CIRCUITS ARE PROPRIETARY IN NATURE AND SHOULD BE TREATED ACCORDINGLY. COPYRIGHT 1967 BY DIGITAL EQUIPMENT CORPORATION



CONNECT TO CLEAR FLAG 2 WHEN USING IN SOME HALF-DUPLEX SYSTEMS

ASI LOAD BUFFER

ANI

UNLESS OTHERWISE INDICATED:
 CAPACITORS ARE .01 MFD
 RESISTORS ARE 1/4 W, 5%
 DIODES ARE D662
 PIN 7 ON EACH IC = GND
 PIN 14 ON EACH IC = +5V
 E1, E2, E3, E4, E5, E6, E7, E8, E9, E10, E11, E12, E13, E14, E15, E16, E17, E18 ARE DEC7400N
 E13 IS DEC7410N
 E10 IS DEC7440N

REV	CHG NO	REV
A	1	387
B	2	379
C	3	0001
D	4	0004

DEC FORM NO. DRC 102

DRM	DATE	DEC	EIA	DEC	EIA
CHK'D	12/1/67	D662	1:1642		
ENG		DEC3009B	2N3009		
PROD		DEC6534B	MPS6534		

digital
 EQUIPMENT CORPORATION
 MAYNARD, MASSACHUSETTS

SIZE	CODE	NUMBER	REV.
C	CS	M707-0-1	D

SIZE CODE NUMBER REV. D
 C CS M707-0-1