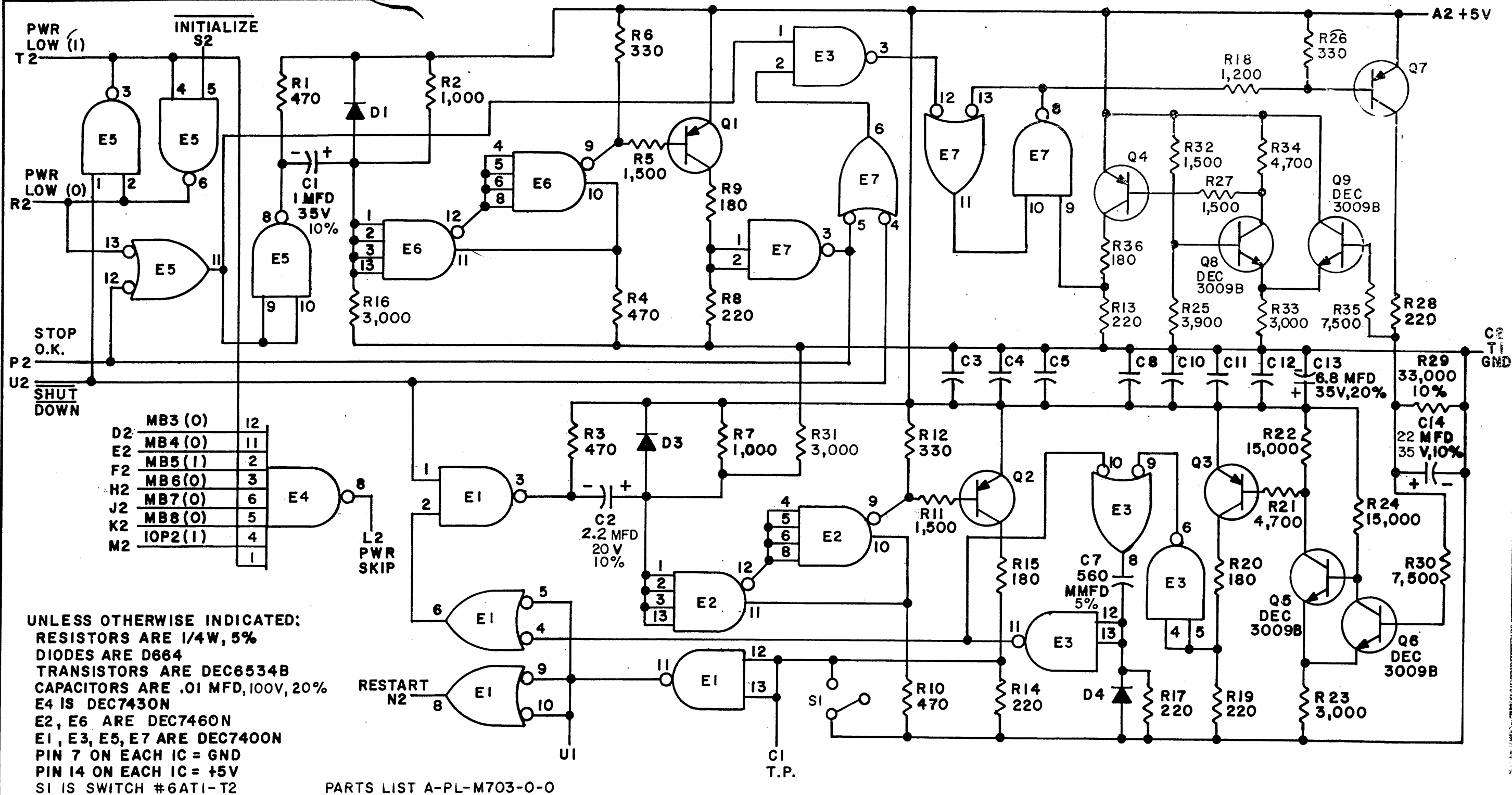


THIS SCHEMATIC IS FURNISHED ONLY FOR TEST AND MAINTENANCE PURPOSES. THE CIRCUITS ARE PROPRIETARY IN NATURE AND SHOULD BE TREATED ACCORDINGLY. COPYRIGHT 1967 BY DIGITAL EQUIPMENT CORPORATION



REVISIONS CHK CHG NO. REV. C 6617 D 7148 E 7125 F 7165 G 00001 H 00004 J F.W.O. 00004	DRN. M. Haller	DATE 9-27-67	TRANSISTOR & DIODE CONVERSION CHART		digital EQUIPMENT CORPORATION MAYNARD, MASSACHUSETTS	TITLE	
	CHK'D	DATE	DEC	EIA		POWER FAIL M703	
	ENG. [Signature]	DATE	DEC6534B	MPS6534			SIZE B
	PROD. 2	DATE	D664	JN3606			CODE CS
			DEC3009B	2N3009		NUMBER M703-0-1	
						REV. J	
						PRINTED CIRCUIT REV. J	