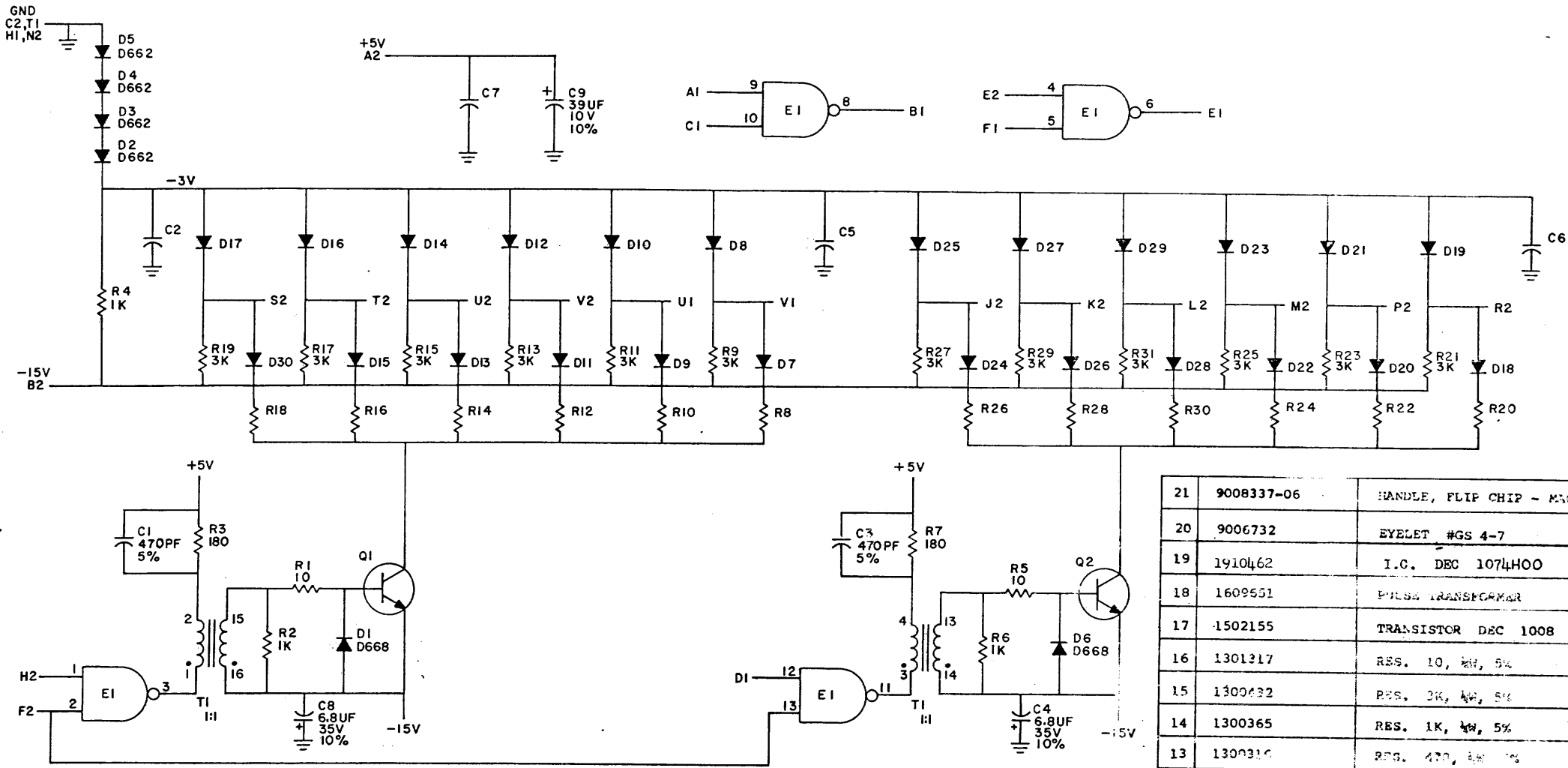
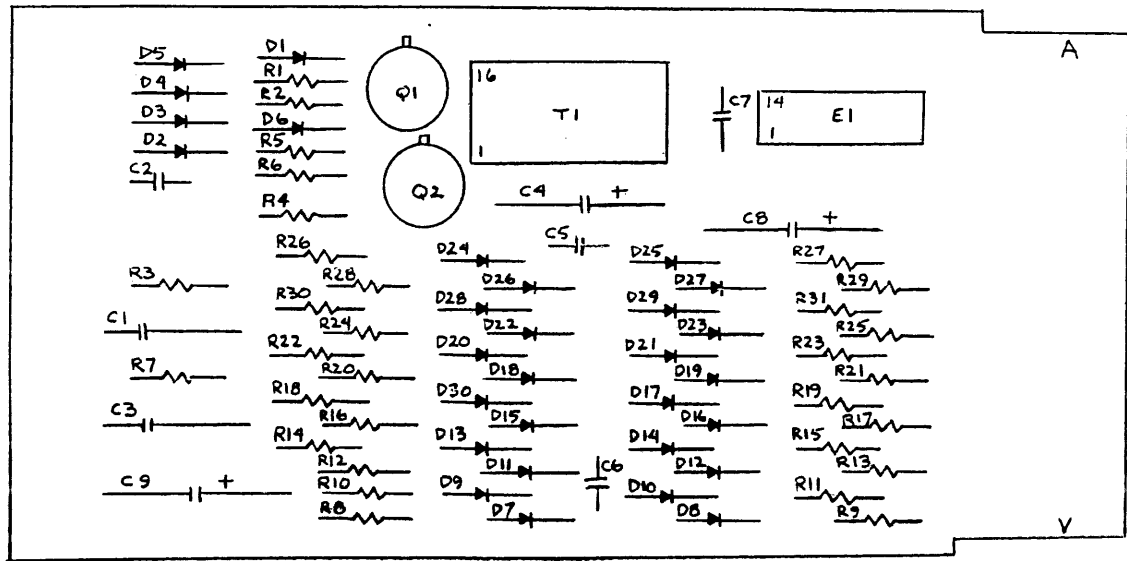


THIS SCHEMATIC IS FURNISHED ONLY FOR TEST AND MAINTENANCE PURPOSES. THE CIRCUITS ARE PROPRIETARY IN NATURE AND SHOULD BE TREATED ACCORDINGLY. COPYRIGHT 1970 BY DIGITAL EQUIPMENT CORPORATION



UNLESS OTHERWISE INDICATED:
 RESISTORS ARE 470, 1/4W, 5%
 CAPACITORS ARE .01UF, 100V, 20%
 TRANSISTORS ARE DEC1008
 DIODES ARE D664
 T1 IS T20 PULSE TRANSFORMER 1609651
 E1 IS DEC1074H00
 PIN 7 = GND
 PIN 14 = +5V



ITEM NO.	DEC PART NO.	DESCRIPTION	QTY
21	9008337-06	HANDLE, FLIP CHIP - MACBGA	1
20	9006732	EYELET #GS 4-7	2
19	1910462	I.C. DEC 1074H00	1
18	1609551	PULSE TRANSFORMER	1
17	1502155	TRANSISTOR DEC 1008	2
16	1301217	RES. 10, 1/4W, 5%	2
15	1300432	RES. 2K, 1/4W, 5%	12
14	1300365	RES. 1K, 1/4W, 5%	3
13	1300310	RES. 470, 1/4W, 5%	10
12	1301322	RES. 180, 1/4W, 5%	2
11	1102161	DIODE D668	2
10	1100114	DIODE D664	2
9	1100113	DIODE D662	2
8	1005306	CAP. 6.8UF, 35V, 10%	2
7	1001610	CAP. .01UF, 100V, 20%	2
6	1000076	CAP. 39UF, 10V, 10% TANT	2
5	1000024	CAP. 470PF, 100V, 5%	2
4	5009288	ETCHED CIRCUIT BOARD	1
3	B-MH-M666-0-6	MODULE ECO HISTORY	
2	C-AH-M666-0-5	ACS/DRIVING HOLE LAYOUT	
1	K-CC-M666-0-4	X-Y COORDINATE HOLE LOCATION	

REVISIONS	CHK	CHG	NO.	REV	DATE	DRN	DATE	TITLE
1						A. Cooper	11/20/70	TRANSISTOR & DIODE CONVERSION CHART
2						J. M.	1-19-71	
3						B. L.	1/17/71	

DEC	EIA	DEC	EIA
D664	IN3606	DEC1008	MM1008
D662	IN645		
D668	D668 *		

digital		EQUIPMENT CORPORATION		SIZE C	CODE CS	NO. M666-0-1	REV E
MAYNARD, MASSACHUSETTS		PRINTED CIRCUIT REV		C		E	