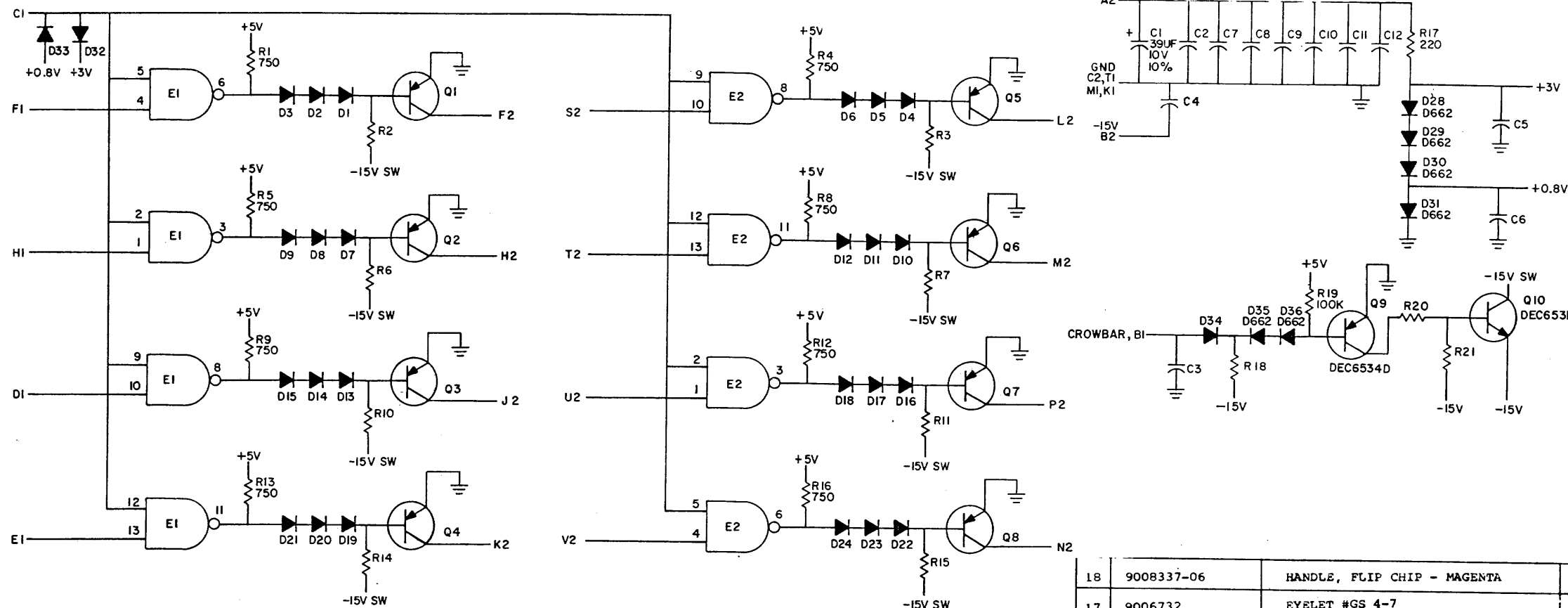
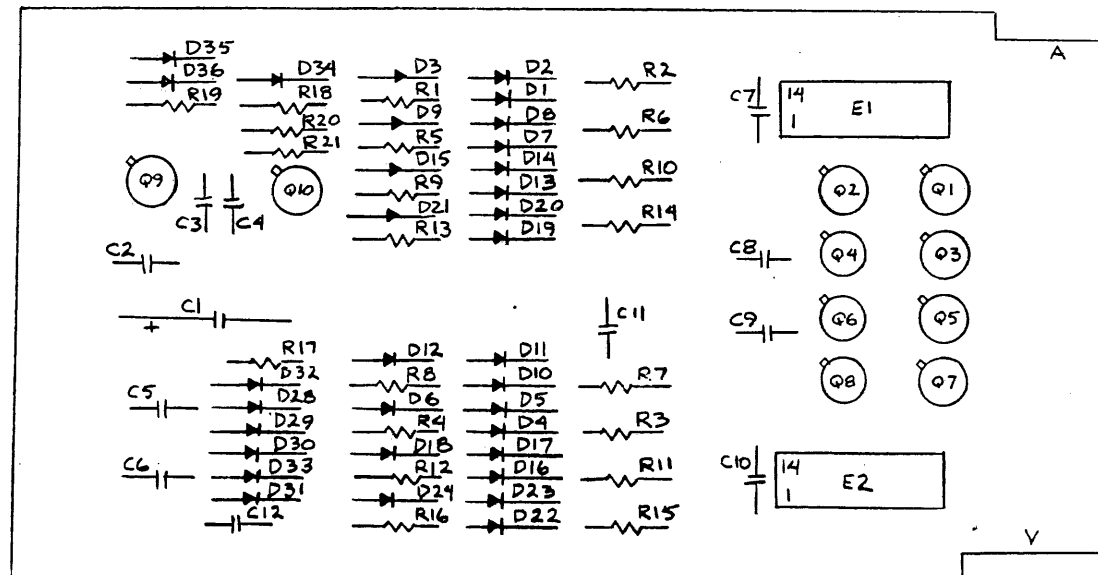


THIS SCHEMATIC IS FURNISHED ONLY FOR TEST AND MAINTENANCE PURPOSES. THE CIRCUITS ARE PROPRIETARY IN NATURE AND SHOULD BE TREATED ACCORDINGLY. COPYRIGHT 1971 BY DIGITAL EQUIPMENT CORPORATION



UNLESS OTHERWISE INDICATED:
 RESISTORS ARE 7.5K, 1/4W, 5%
 DIODES ARE D664
 CAPACITORS ARE .01UF, 100V, 20%
 TRANSISTORS ARE DEC4258
 IC'S ARE DEC1074H00

PIN 7 = GND ON ALL IC'S
 PIN 14 = +5V



18	9008337-06	HANDLE, FLIP CHIP - MAGENTA	1
17	9006732	EYELET #GS 4-7	2
16	1910462	I.C. DEC1074H00	2
15	1509338	TRANSISTOR DEC 6531	1
14	1505321	TRANSISTOR DEC 4258	8
13	1503409-00	TRANSISTOR DEC 6534D	1
12	1302466	RES. 100K, 1/4W, 5%	1
11	1301422	RES. 7.5K, 1/4W, 5%	11
10	1301401	RES. 750, 1/4W, 5%	8
9	1300271	RES. 220, 1/4W, 5%	1
8	1100114	DIODE D664	27
7	1100113	DIODE D662	6
6	1001610	CAP. .01UF, 100V, 20% DISC	11
5	1000076	CAP. 39UF, 10V, 10% S. TANT	1
4	5009381	ETCHED CIRCUIT BOARD	1
3	B-MH-M664-0-6	MODULE ECO HISTORY	
2	C-AH-M664-0-5	ASS/DRILLING HOLE LAYOUT	
1	K-CL-M664-0-4	X-Y COORDINATE HOLE LOCATION	
DES. NO.	DEC PART NO.	DESCRIPTION	QTY
PARTS LIST			

REVISIONS
 CHK'G NO. REV.
 1/1 00001 A

DEC FORM NO. 102

DRN. 3. Carter
 DATE 1/16/71
 CHK'D M M
 DATE 2-3-71
 ENG P. Sullivan
 DATE 3-3-71
 PROD. DATE

TRANSISTOR & DIODE CONVERSION CHART			
DEC	EIA	DEC	EIA
D662	1N645		
D664	1N3606		
DEC4258	2N4258		
DEC6534	MP36534		
DEC6531	MPS6531		

digital
 EQUIPMENT CORPORATION
 MAYNARD, MASSACHUSETTS

TITLE
IO BUS DRIVER M664
 SIZE CODE NUMBER REV.
 C CS M664-0-1 A
 PRINTED CIRCUIT REV. B