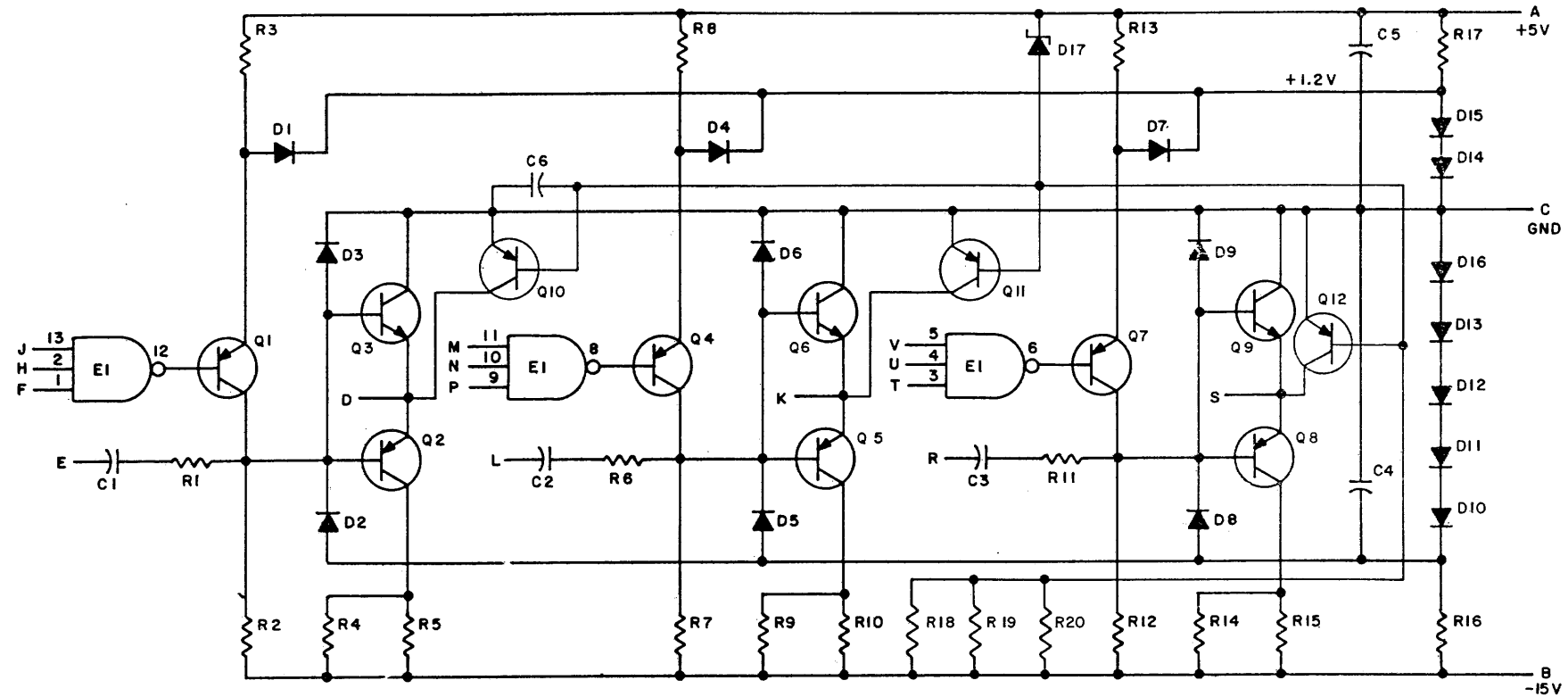


THIS SCHEMATIC IS FURNISHED ONLY FOR TEST AND MAINTENANCE PURPOSES. THE CIRCUITS ARE PROPRIETARY IN NATURE AND SHOULD BE TREATED ACCORDINGLY. COPYRIGHT 1969 BY DIGITAL EQUIPMENT CORPORATION



E1	INTEGRATED CKT. DEC 7410N	1905576
Q3, Q6, Q9	TRANSISTOR DEC 3009B-S	1503100
Q1, Q2, Q4, Q5, Q7, Q8, Q10, Q11, Q12	TRANSISTOR DEC 6534B	1503409-01
R16, R18, R19, R20	RES. 15K 1/4W 5% CC.	1300391
R4, R5, R9, R10, R14, R15	RES. 1K 1/4W 5% CC.	1300365
R3, R8, R13	RES. 470 1/4W 10% CC.	1300317
R2, R7, R12, R17	RES. 3K 1/4W 5% CC.	1300432
R1, R6, R11	RES. 82 1/4W 10% CC.	1300224
D17	DIODE IN750A	1100124
D10 - D16	DIODE D662	1100113
D1 - D9	DIODE D664	1100114
C4, C5, C6	CAP .01 MFD 100V 20% DISC.	1001610
C1, C2, C3	CAP 330 MMF 100V 5% D.M.	1000023
PARTS LIST		A-PL-M651-O-0
REFERENCE DESIGNATION	DESCRIPTION	PART NO

REV	CHG NO.	REV
4	0001	B

DEC FORM NO. DRC 102

DRN
CHKD
ENG
PROD.

DATE
DATE
DATE
DATE

TRANSISTOR & DIODE CONVERSION CHART	
DEC	EIA
DEC3009B	2N3009
DEC6534B	MPS6534
D662	1N645
D664	1N3606
IN750A	SAME

digital
EQUIPMENT CORPORATION
MAYNARD, MASSACHUSETTS

NEGATIVE OUTPUT CONVERTER M651
SIZE CODE NUMBER
C CS M651-O-1
PRINTED CIRCUIT REV. A C

REV B
NUMBER
M651-O-1
SIZE CODE
C CS