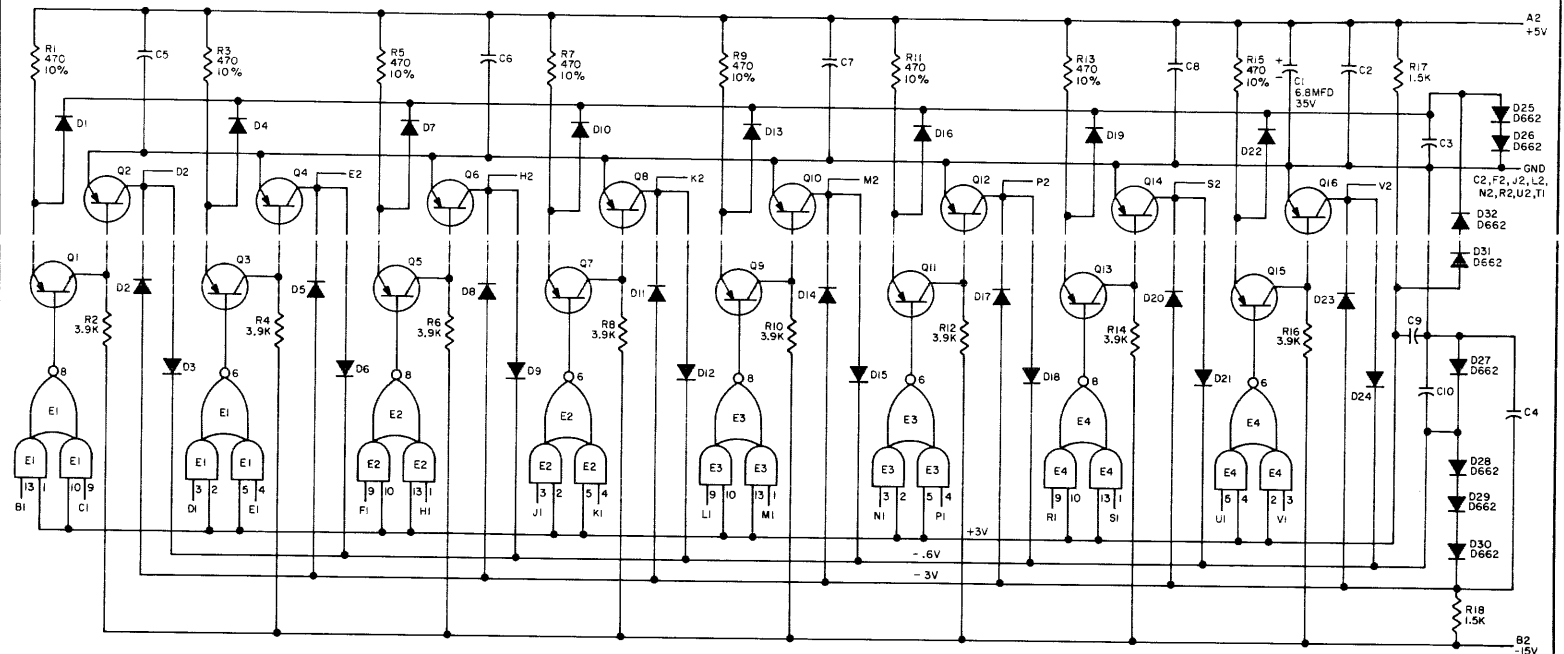


THIS SCHEMATIC IS FURNISHED ONLY FOR TEST AND MAINTENANCE PURPOSES. THE CIRCUITS ARE PROPRIETARY IN NATURE AND SHOULD BE TREATED ACCORDINGLY. COPYRIGHT 1969 BY DIGITAL EQUIPMENT CORPORATION.



UNLESS OTHERWISE INDICATED:
 RESISTORS ARE 1/4W, 5%
 DIODES ARE D664
 TRANSISTORS ARE DEC3639B
 IC'S ARE DEC74H50
 PIN 7 ON EACH IC = GND
 PIN 14 ON EACH IC = +5V
 CAPACITORS ARE .01 MFD

M632-2

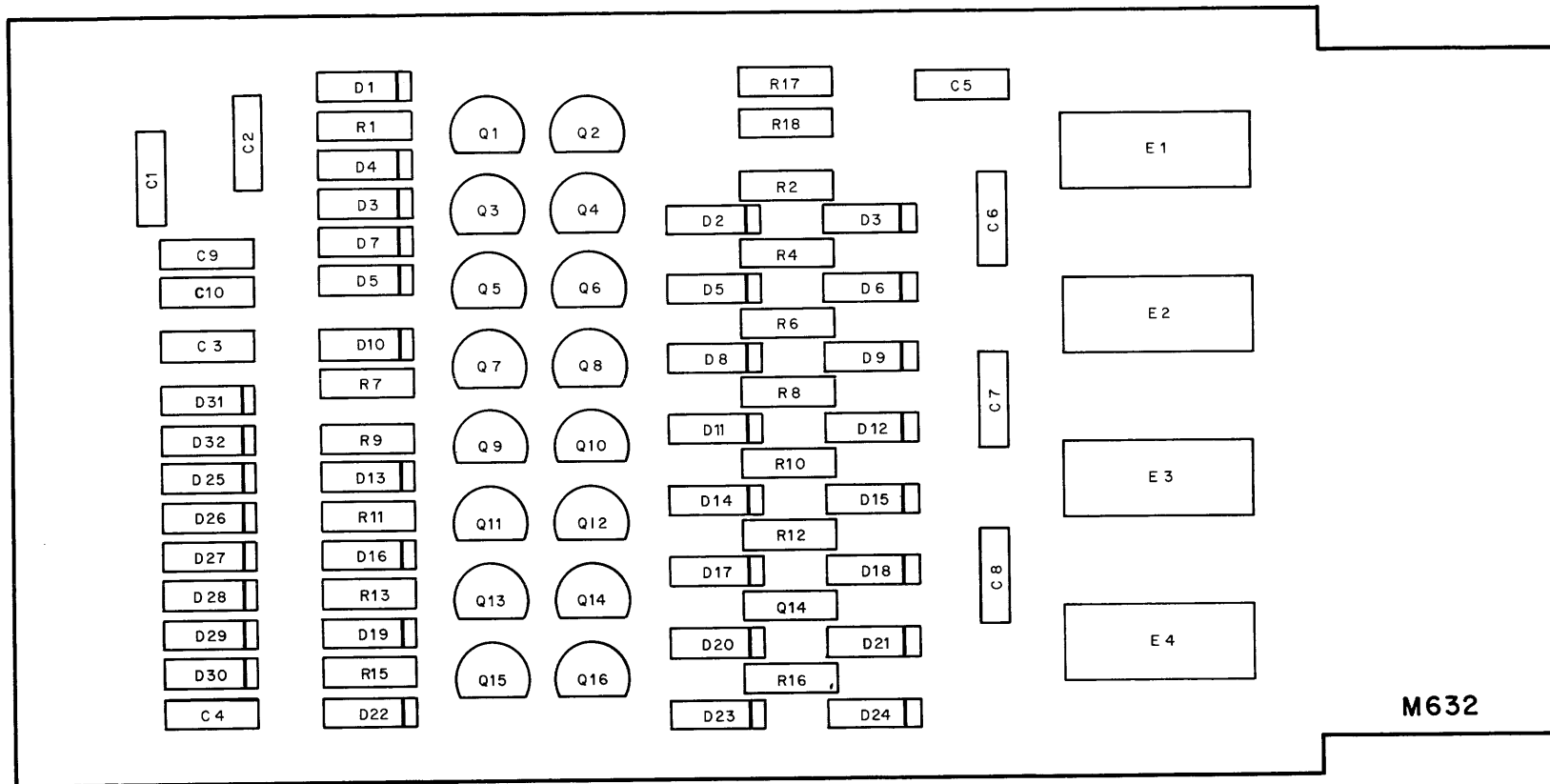
REVISIONS
 CHG. NO. IN V.

DRN	DATE	TRANSISTOR & DIODE CONVERSION CHART			
BUTLER	4-30-69	DEC	EIA	DEC	EIA
CHK'D	DATE	D664	IN3506		
W. J. Chabette	5/24/69	D662	IN645		
ENR	DATE	DEC3639B	2N3639		
PRD.	DATE				

digital EQUIPMENT CORPORATION
 MAYNARD, MASSACHUSETTS

TITLE: POSITIVE INPUT CONVERTER DRIVER M632
 SIZE: C CS
 NUMBER: M632-0-1
 REV. A

M632-3



M632