

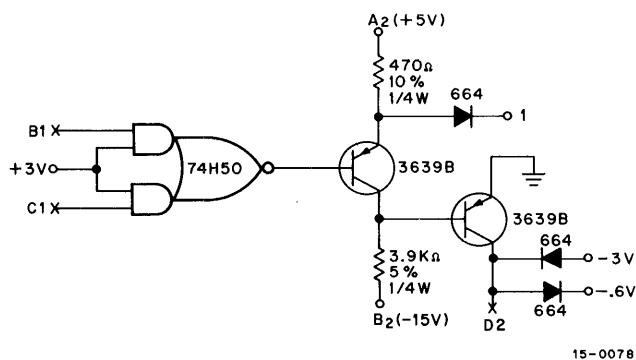
M632 Converter-I/O Bus Driver

The M632 is an M-series single-height module containing eight converter-I/O bus driver circuits. It accepts positive logic signals and converts them to negative logic levels. Each driver consists of a TTL input gate and a negative open-collector output driver clamped to ground and -3V.

The following are the input, output, and power characteristics of the M632 module.

- INPUTS:** The inputs to the M632 are standard TTL positive logic levels. The input current load at 0V is 1.25 units.
- OUTPUTS:** Outputs are standard negative logic levels. Output characteristics are:
 Risetime - 15 ns
 Falltime - 15 ns with 1.5 k Ω to -15V at output
 Input-Output Delay - 50 ns (maximum)
- POWER:** Power dissipation in the M632 module is 600 mW from -15V (maximum) and 900 mW from +5V (maximum).

This driver is used to convert positive logic signals to negative logic levels that drive the PDP-9 negative I/O bus. The M632 module is pin-compatible with the M622 module.



M632 Simplified Diagram