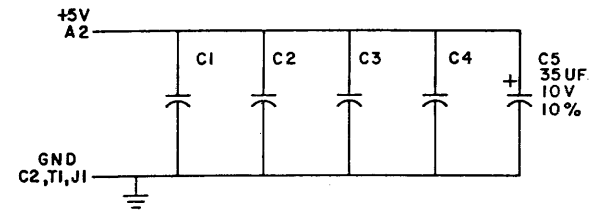
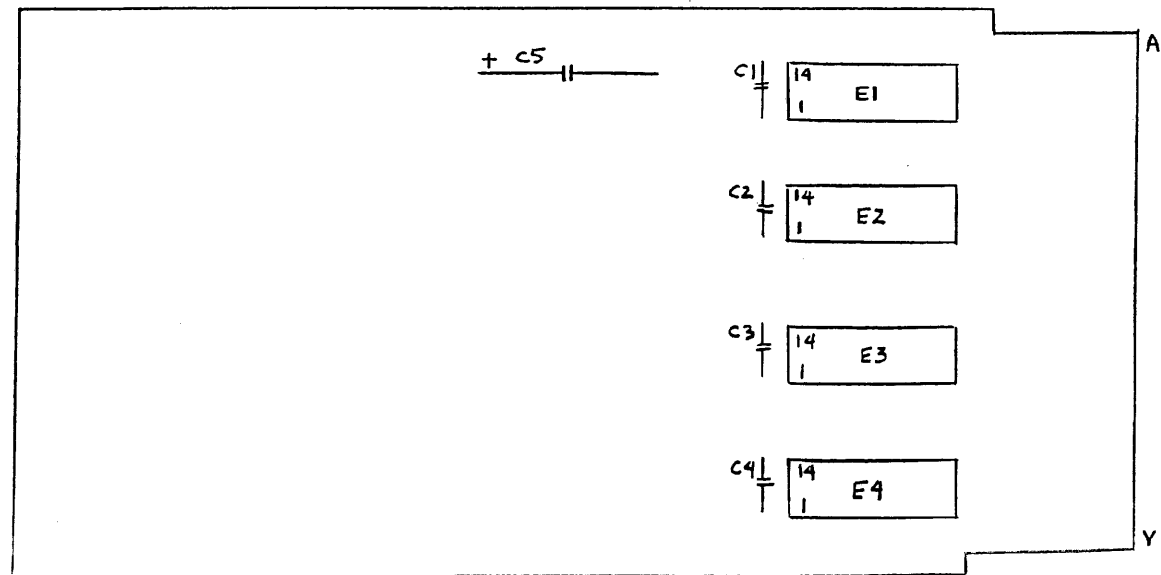
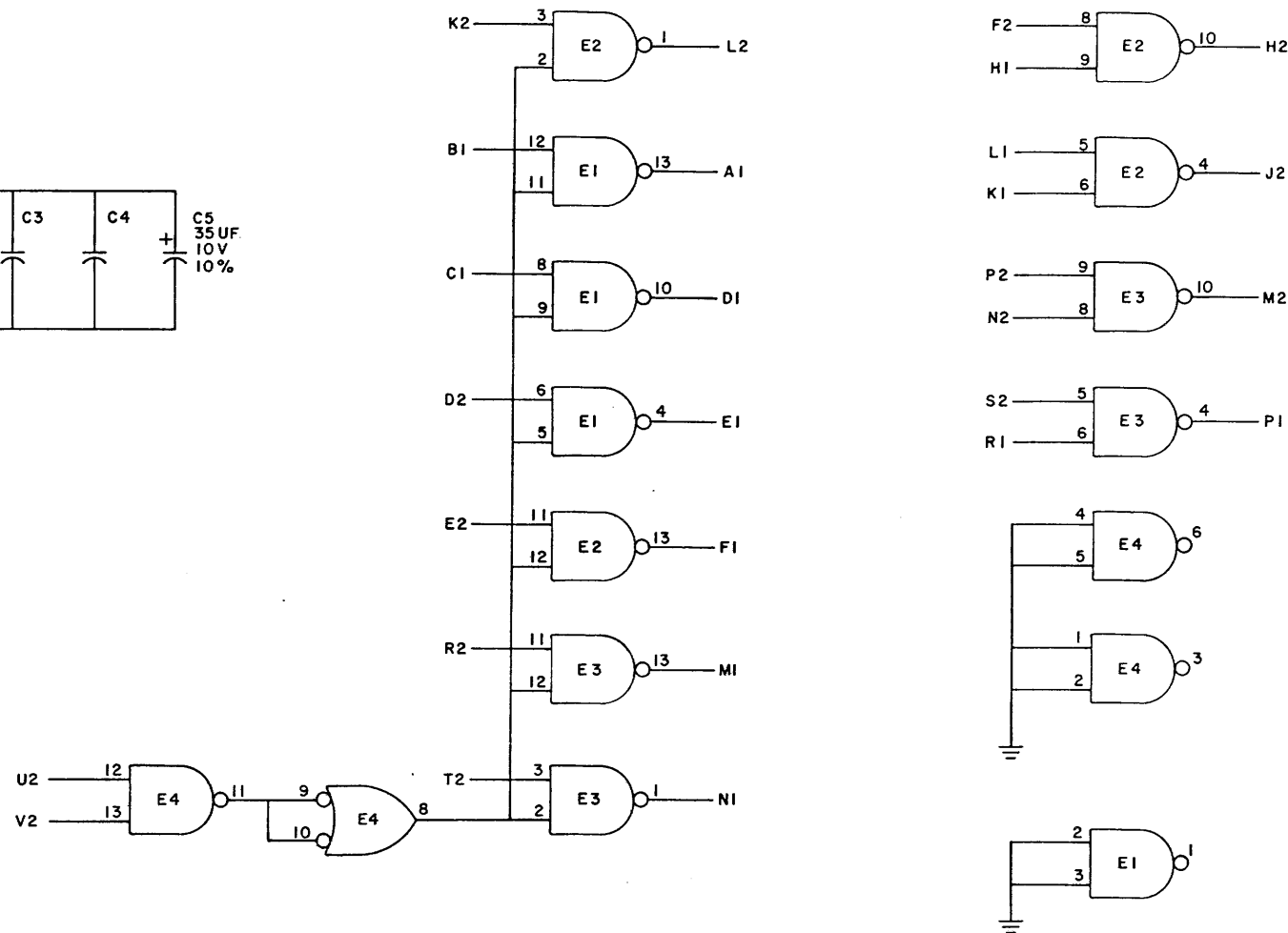


THIS SCHEMATIC IS FURNISHED ONLY FOR TEST AND MAINTENANCE PURPOSES. THE CIRCUITS ARE PROPRIETARY IN NATURE AND SHOULD BE TREATED ACCORDINGLY. COPYRIGHT 1970 BY DIGITAL EQUIPMENT CORPORATION



UNLESS OTHERWISE INDICATED:
 CAPACITORS ARE .01UF, 100V, 20%
 E1, E2 AND E3 ARE DEC8881
 E4 IS DEC7400
 PIN 7 = GND ON EACH IC
 PIN 14 = +5V



ITEM NO.	DEC PART NO.	DESCRIPTION	QTY.
10	9008337-06	HANDLE, FLIP CHIP - MAGENTA	1
9	9006732	EYELET	2
8	1909705	I.C. DEC 8881	3
7	1905575	I.C. DEC 7400	1
6	1001610	CAP. .01UF, 100V, 20% DISC	4
5	1000076	CAP. .39UF, 10V, 10% S. TANT	1
4	5009347	ETCHED CIRCUIT BOARD	1
3	B-MH-M629-0-6	MODULE ECO HISTORY	
2	C-AH-M629-0-5	ASSY/DRILLING HOLE LAYOUT	
1	K-CO-M629-0-4	X-Y COORDINATE HOLE LOCATION	
FARTS LIST			

REVISIONS CHK IC NO REV	DWN <i>S. Cooper</i> DATE 12/14/70	TRANSISTOR & DIODE CONVERSION CHART				TITLE digital BUS DRIVERS M629 EQUIPMENT CORPORATION MAYNARD, MASSACHUSETTS	SIZE CODE NUMBER REV. C CS M629-0-1
	CHKD <i>[Signature]</i> DATE 1-12-71	DEC EIA DEC EIA DEC EIA DEC EIA	PRINTED CIRCUIT REV.		A		

REV. NUMBER
 C CS M629-0-1