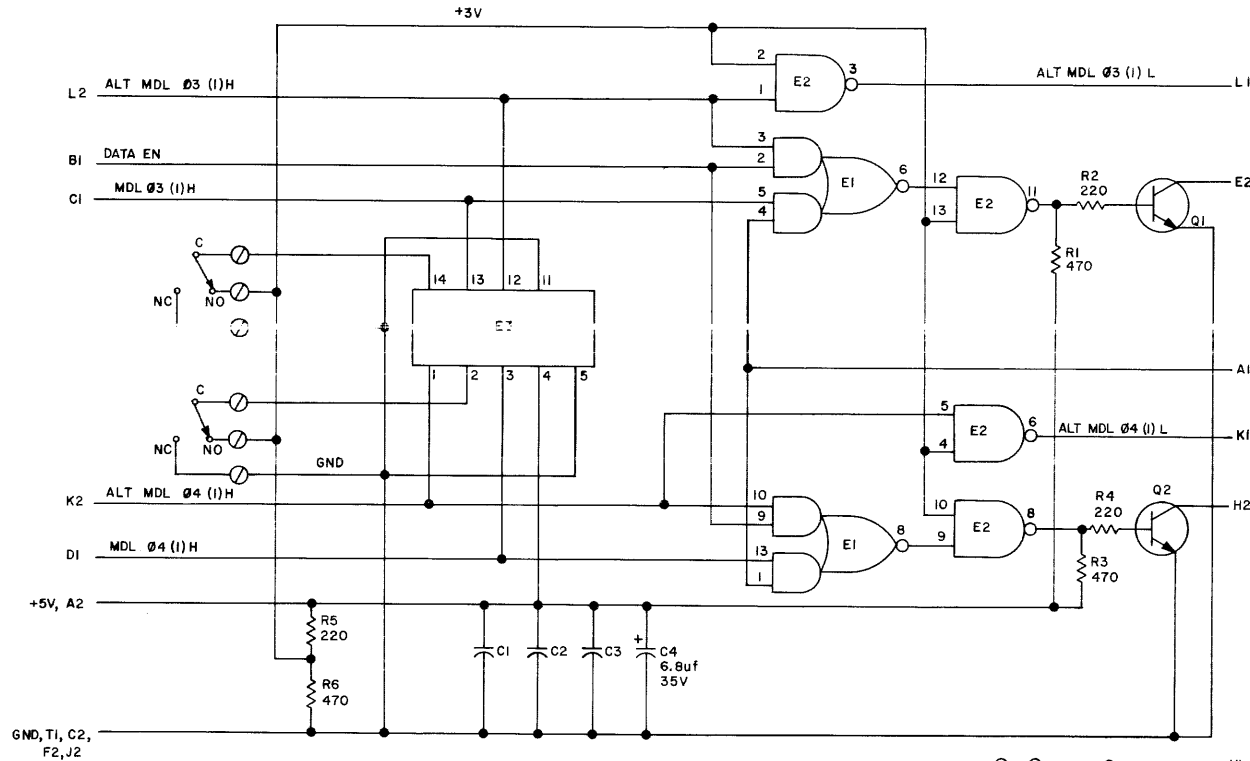
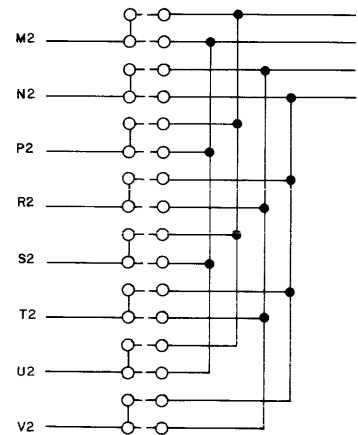


THIS SCHEMATIC IS FURNISHED ONLY FOR TEST AND MAINTENANCE PURPOSES. THE CIRCUITS ARE PROPRIETARY IN NATURE AND SHOULD BE TREATED ACCORDINGLY. COPYRIGHT 1970 BY DIGITAL EQUIPMENT CORPORATION



UNLESS OTHERWISE INDICATED:  
 TRANSISTORS ARE DEC3009B  
 RESISTORS ARE 1/4W, 5%  
 CAPACITORS ARE .01uf, 100V, 20%  
 ⊙ INDICATES SPLIT LUGS  
 ○-○ INDICATES JUMPERS  
 E1 IS DEC74H50  
 E2 IS DEC74H0C  
 E3 IS DEC7482  
 PIN 7 ON E1, E2=GND  
 PIN 14 ON E1, E2 =+5V  
 S1 & S2 ARE MICRO  
 SWITCH TYPE 6 AT 56-T2



M628-2

REV. B  
 NUMBER M628-0-1  
 SIZE CODE C CS

REV.	CHG.	NO.	REV.
1	A	0001	1
2	B	0002	1

DRN. Nancy Moore	DATE 3/11/70
CHK: [Signature]	DATE 5-12-70
ENG: [Signature]	DATE 4-21-70
DATE	DATE

TRANSISTOR & DIODE CONVERSION CHART			
DEC	EIA	DEC	EIA
DEC3009B	2N3009B		

**digital**  
 EQUIPMENT CORPORATION  
 MAYNARD, MASSACHUSETTS

TITLE		FIELD BANK	
		ADD CARD M628	
SIZE C	CODE CS	NUMBER M628-0-1	REV. B
PRINTED CIRCUIT REV.			

M628-3

