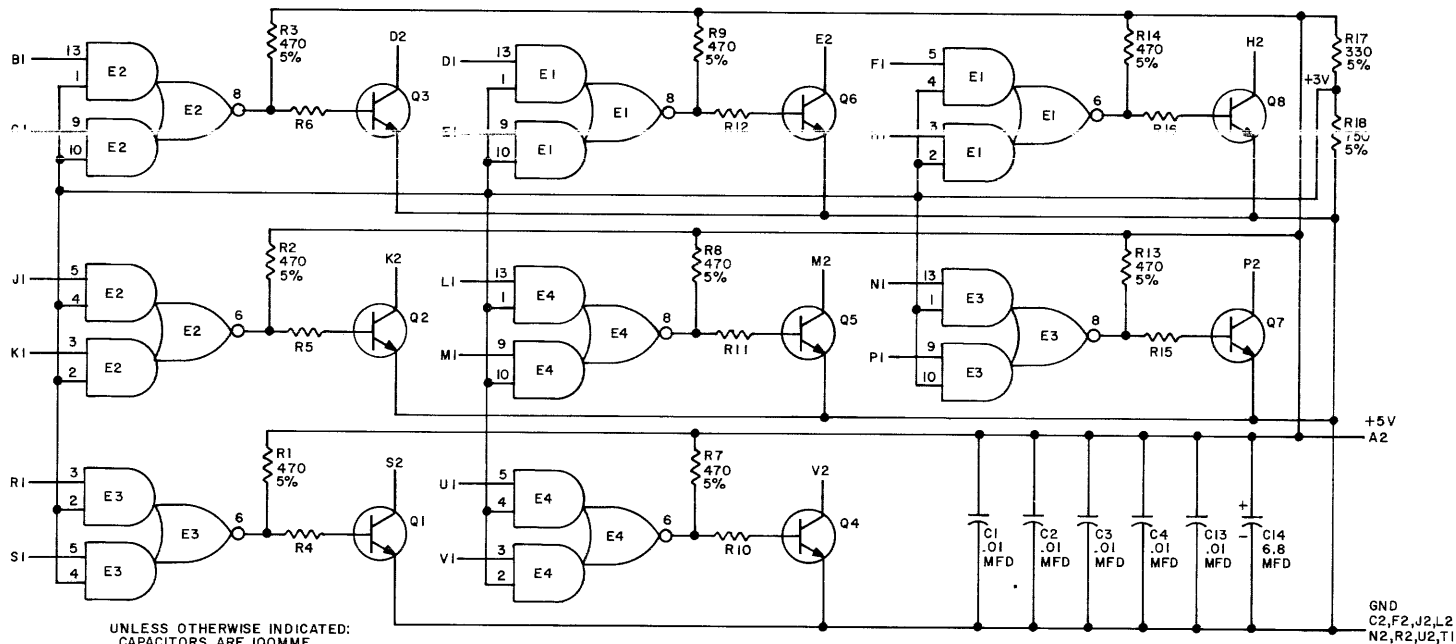


THIS SCHEMATIC IS FURNISHED ONLY FOR TEST AND MAINTENANCE PURPOSES. THE CIRCUITS ARE PROPRIETARY IN NATURE AND SHOULD BE TREATED ACCORDINGLY. COPYRIGHT 1969 BY DIGITAL EQUIPMENT CORPORATION



REVISIONS	CHK	CHG	NO	REV
	0001			B

DRN.	<i>M. Waller</i>	DATE	2-26-69
CHKD.	<i>R. Williams</i>	DATE	3-6-69
ENG.	<i>R. Williams</i>	DATE	5-9-69
PROD.		DATE	

TRANSISTOR & DIODE CONVERSION CHART			
DEC	EIA	DEC	EIA
DEC3009B	2N3009		

	TITLE		BUS DRIVER M622	
	SIZE	CODE	NUMBER	REV.
EQUIPMENT CORPORATION	B	CS	M622-0-1	B
MAYNARD, MASSACHUSETTS	PRINTED CIRCUIT REV.			

R17

R18

Q3

R3

R6

Q6

C14

R9

R12

C13

C2

E2

C1

E1

Q2

R2

R5

Q8

R14

R16

Q5

R8

R5

Q7

R13

R15

C4

E4

C3

E3

Q4

R7

R10

Q1

R1

R4

M622