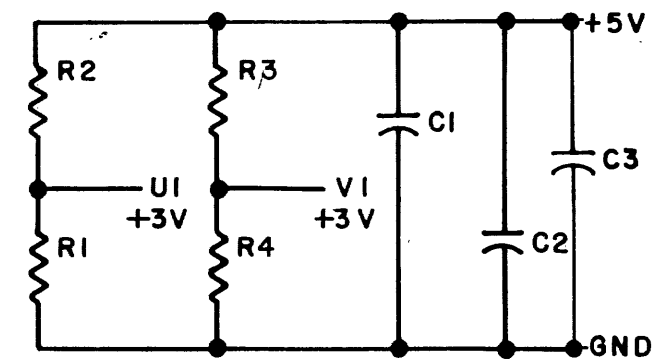
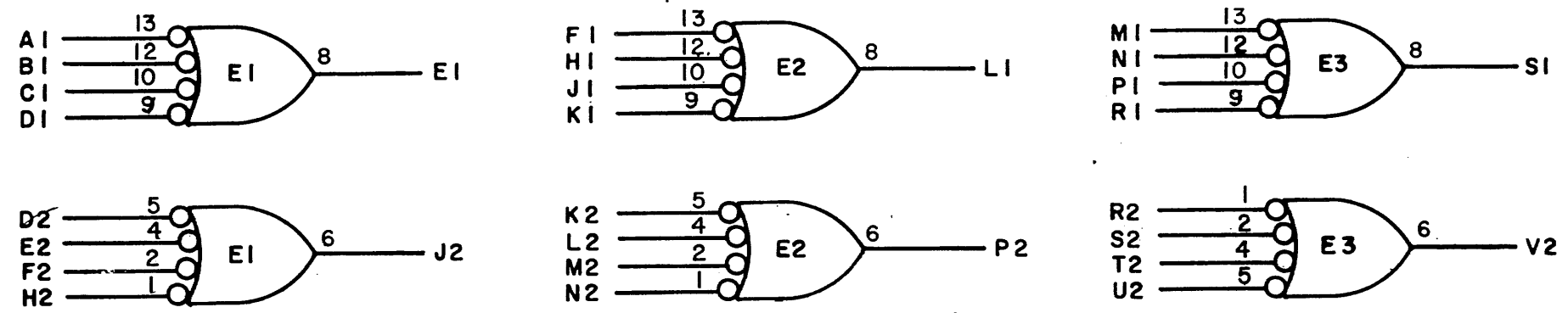


THIS SCHEMATIC IS FURNISHED ONLY FOR TEST AND MAINTENANCE PURPOSES. THE CIRCUITS ARE PROPRIETARY IN NATURE AND SHOULD BE TREATED ACCORDINGLY. COPYRIGHT 1967 BY DIGITAL EQUIPMENT CORPORATION

+5V ——— A2
 NOT USED -15V ——— B2
 GND ——— C2, T1



NOTES:
 PIN 7 ON EACH IC = GND
 PIN 14 ON EACH IC = +5V

E1 THRU E3	INTEGRATED CKT. DEC7440N	1905579
R2 & R3	RES 330 1/4W 10% CC	1300293
R1 & R4	RES. 750 1/4W 5% CC	1301401
C1 & C2 & C3	CAP. .01MFD 100V 20% DISC	1001610
	PARTS LIST	A-PL-M617-0-0
REFERENCE DESIGNATION	DESCRIPTION	PART NO.

REVISIONS	CHK	CHG NO.	REV.
		6422	A
		6824	B
		00001	C
		00002	G
		00003	E

DRN. <i>M. Waller</i>	DATE 3-15-67
CHK'D <i>M. Waller</i>	DATE 4-21-67
ENG. <i>Z. White</i>	DATE 4-21-67
PROD.	DATE

TRANSISTOR & DIODE CONVERSION CHART			
DEC	EIA	DEC	EIA

digital
 EQUIPMENT CORPORATION
 MAYNARD, MASSACHUSETTS

TITLE	6-4 INPUT NOR BUFFERS M617		
SIZE	CODE	NUMBER	REV.
B	CS	M617-0-1	E
PRINTED CIRCUIT REV.			A

DIST. 324 434 435³