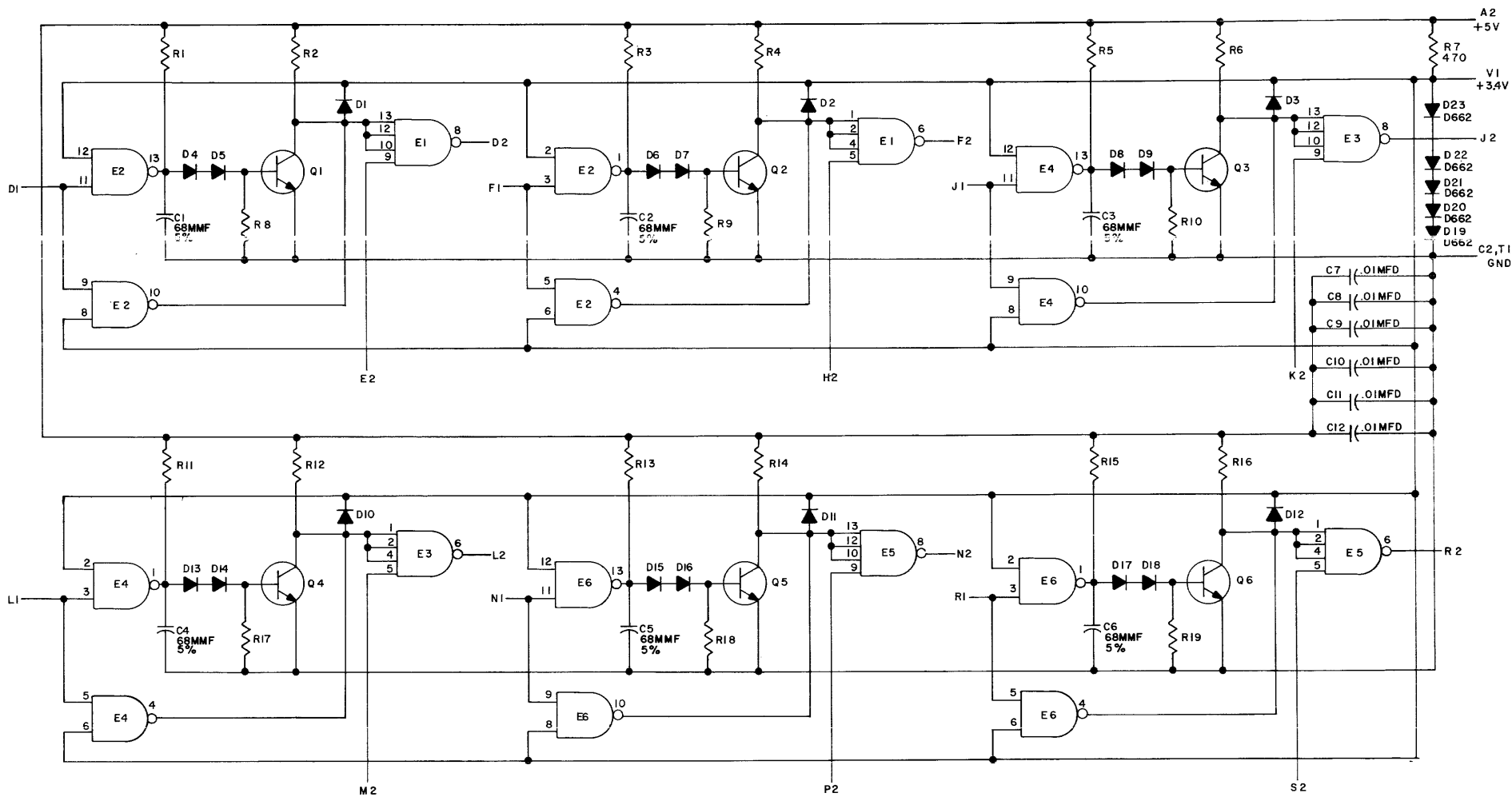


THIS SCHEMATIC IS FURNISHED ONLY FOR TEST AND MAINTENANCE PURPOSES. THE CIRCUITS ARE PROPRIETARY IN NATURE AND SHOULD BE TREATED ACCORDINGLY. COPYRIGHT 1969 BY DIGITAL EQUIPMENT CORPORATION



M606-2

UNLESS OTHERWISE INDICATED:  
 CAPACITORS ARE 100V, 20%  
 DIODES ARE D 664  
 RESISTORS ARE 1.5 K, 1/4W, 5%  
 TRANSISTORS ARE DEC3009B  
 PIN 7 ON EACH IC = GND  
 PIN 14 ON EACH IC = +5V  
 E1, E3, E5 ARE DEC7440N  
 E2, E4, E6 ARE DEC7401N

| REV. NO. | REV. |
|----------|------|
| 00001    | B    |

DEC FORM NO. DRC 102

| DRN.               | DATE     |
|--------------------|----------|
| <i>[Signature]</i> | 11/15/68 |
| CHK'D              | DATE     |
| <i>[Signature]</i> | 11/15/69 |
| ENG.               | DATE     |
| <i>[Signature]</i> | 11/15/69 |
| DATE               | 11/15/69 |

| TRANSISTOR & DIODE CONVERSION CHART |        |     |     |
|-------------------------------------|--------|-----|-----|
| DEC                                 | EIA    | DEC | EIA |
| D662                                | 1N645  |     |     |
| D664                                | 1N3606 |     |     |
| DEC3009B                            | 2N3009 |     |     |

**digital**  
 EQUIPMENT CORPORATION  
 MAYNARD, MASSACHUSETTS

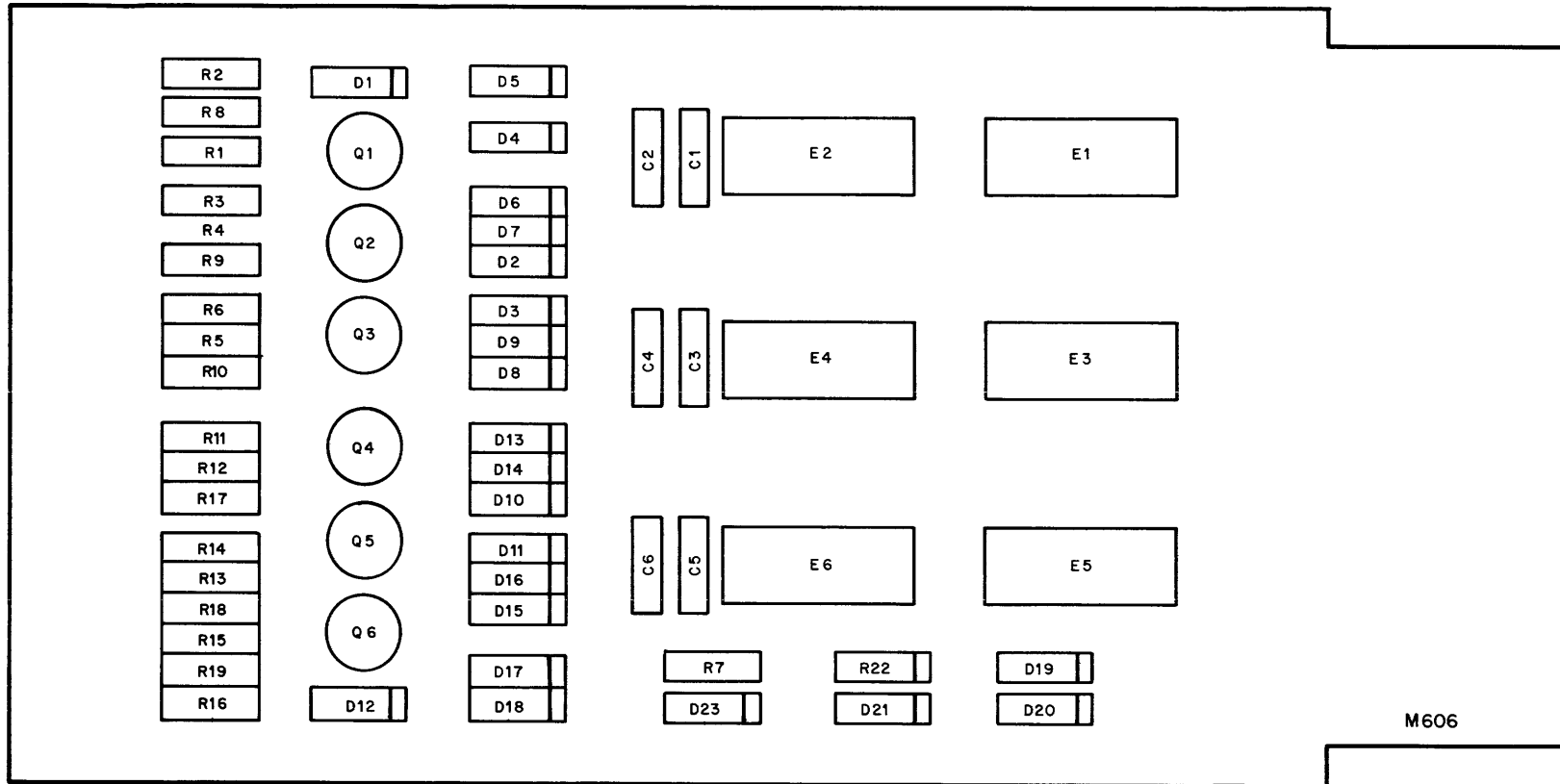
| TITLE                |  | SIZE | CODE | NUMBER   | REV |
|----------------------|--|------|------|----------|-----|
| PULSE GENERATOR M606 |  | C    | CS   | M606-0-1 | B   |
| PRINTED CIRCUIT REV. |  |      |      |          |     |

REV. B  
 NUMBER M606-0-1  
 SIZE CODE CS

DIST. 224, 437, 4

PINK

M606-3



M606