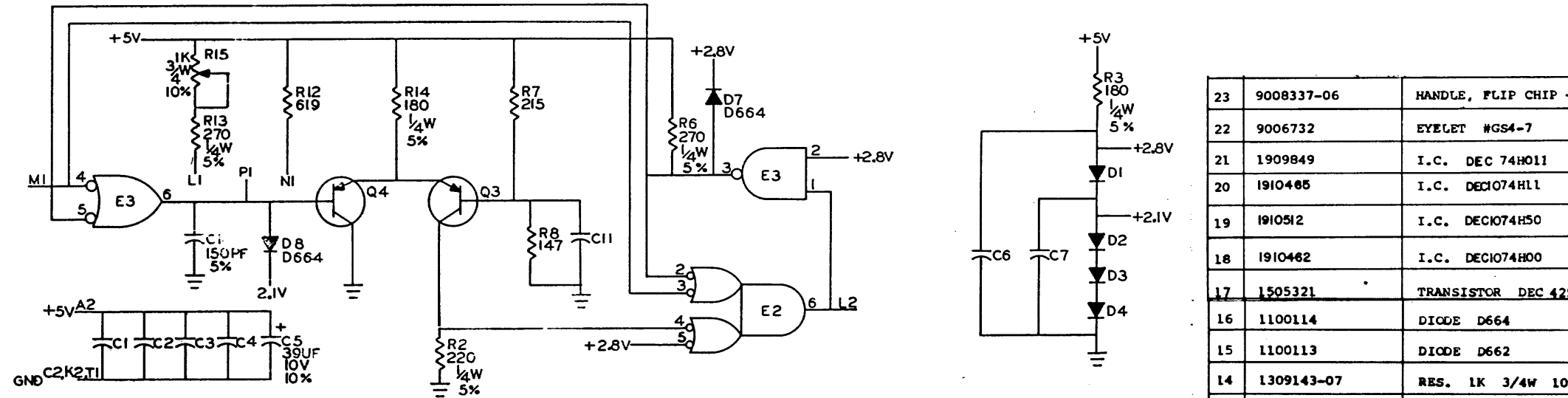
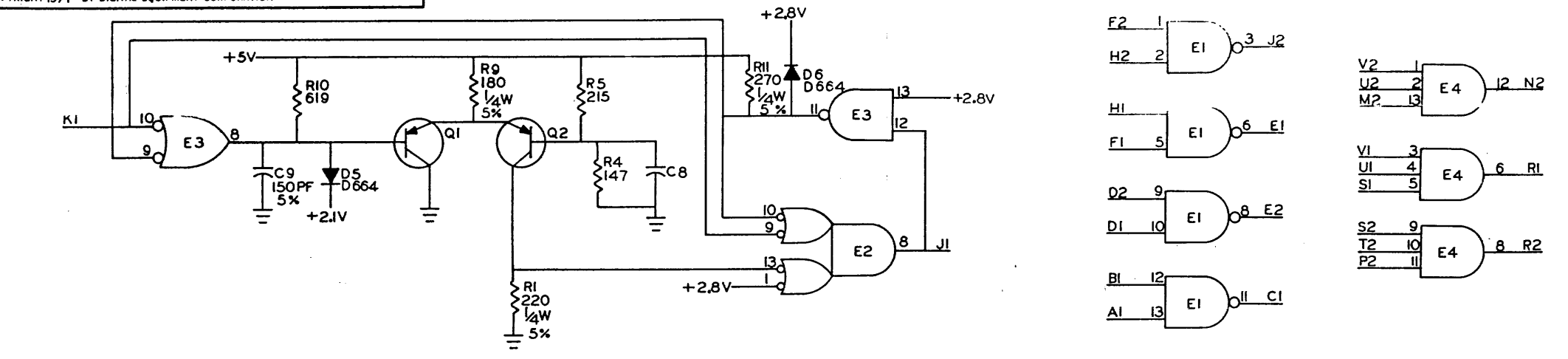
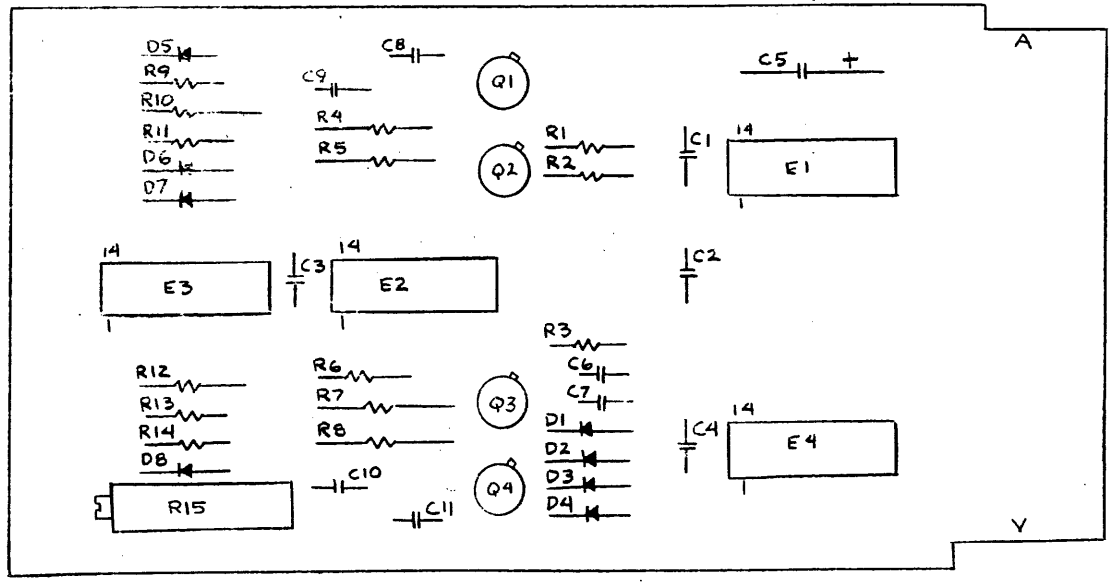


THIS SCHEMATIC IS FURNISHED ONLY FOR TEST AND MAINTENANCE PURPOSES. THE CIRCUITS ARE PROPRIETARY IN NATURE AND SHOULD BE TREATED ACCORDINGLY. COPYRIGHT 1971 BY DIGITAL EQUIPMENT CORPORATION



UNLESS OTHERWISE INDICATED  
 RESISTORS ARE 1/8W, 1% MF  
 CAPACITORS ARE .01UF, 100V, 20%  
 DIODES ARE DEC 662  
 PIN 14 = +5V ON ALL IC'S  
 PIN 7 = GND  
 DEC1074H00 = E1  
 DEC1074H50 = E2  
 DEC74H01 = E3  
 DEC1074H11 = E4  
 Q1, Q2, Q3, Q4 = DEC 4258



ITEM NO.	DEC PART NO.	DESCRIPTION	QTY.
23	9008337-06	HANDLE, FLIP CHIP - MAGENTA	1
22	9006732	EYELET #GS4-7	2
21	1909849	I.C. DEC 74H011	1
20	1910485	I.C. DEC1074H11	1
19	1910512	I.C. DEC1074H50	1
18	1910462	I.C. DEC1074H00	1
17	1505321	TRANSISTOR DEC 4258	4
16	1100114	DIODE D664	4
15	1100113	DIODE D662	4
14	1309143-07	RES. 1K 3/4W 10% HELI POT	1
13	1305126	RES. 619 1/8W 1% MF	2
12	1305123	RES. 215 1/8W 1% MF	2
11	1302874	RES. 147 1/8W 1% MF	2
10	1301972	RES. 270 1/4W 5%	3
9	1301322	RES. 180 1/4W 5%	3
8	1300271	RES. 220 1/4W 5%	2
7	1001610	CAP. .01UF 100V 20%	8
6	1000076	CAP. 39UF 10V 10%	1
5	1000019	CAP. 150PF 100V 5% DM	2
4	5009360	ETCHED CIRCUIT BOARD	1
3	B-MH-M603-0-6	MODULE ECO HISTORY	
2	C-AH-M603-0-5	ASSY/DRILLING HOLE LAYOUT	
1	K-CO-M603-0-4	X-Y COORDINATE HOLE LOCATION	
PARTS LIST			

REVISIONS CHK CHG NO. REV. B 7/77 C/001 B	DRN. R.J. DOUCETTE CHKD. 8/21/71 ENG. 2/2/72 PROD. 3/4/72	DATE 3-3-71 DATE 3-4-71 DATE 3-4-72	TRANSISTOR & DIODE CONVERSION CHART DEC EIA D664 1N3606 D662 1N645 DEC 4258 2N4258	digital EQUIPMENT CORPORATION MAYNARD, MASSACHUSETTS	TITLE RA MODULE SIZE CODE NUMBER C CS M603-0-1 PRINTED CIRCUIT REV B
---	--	---	--	--	--