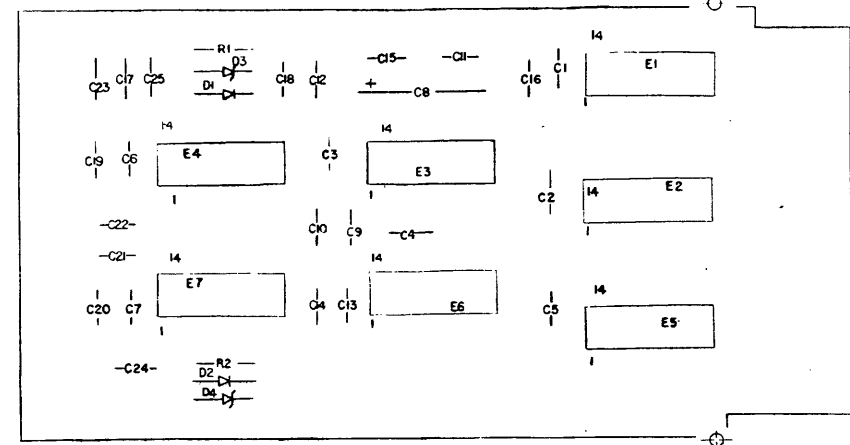
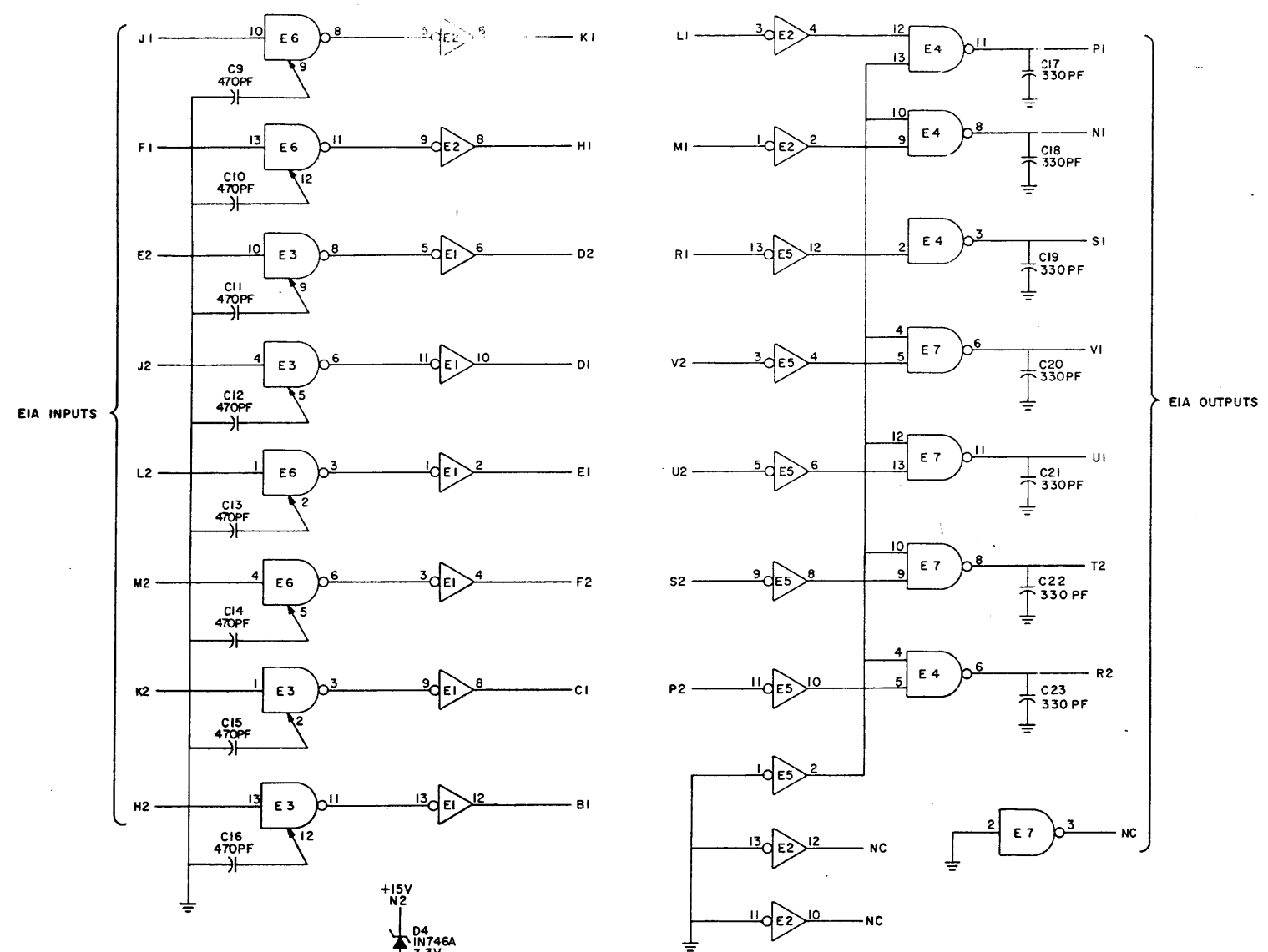
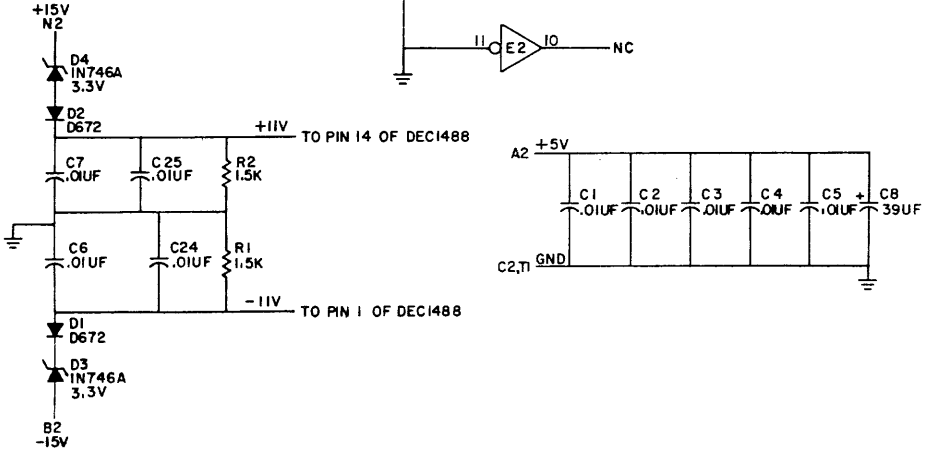


THIS SCHEMATIC IS FURNISHED ONLY FOR TEST AND REPAIR PURPOSES. IT IS NOT TO BE USED FOR REPRODUCTION OR FOR THE DESIGN OF EQUIPMENT. CIRCUITS ARE PROPRIETARY IN NATURE AND SHOULD BE TREATED ACCORDINGLY. COPYRIGHT 1971 BY DIGITAL EQUIPMENT CORPORATION.



UNLESS OTHERWISE INDICATED:
 DEC1489 = E3 & E6
 DEC7404 = E1, E2 & E5
 DEC1488 = E4 & E7
 GND = PIN 7
 +5V = PIN 14



QTY.	REP. DESIGNATION	DESCRIPTION	DEC PART NO.	REV.
1		HANDLE, FLIP CHIP - MAGENTA	9008337-06	1
2		EYELET	9006732	1
2	E3, 6	I.C. DEC 1489	1910323	1
2	E4, 7	I.C. DEC 1488L	1910322	1
3	E1, 2, 5	I.C. DEC 7404	1909686	1
2	R1, 2	RES. 1.5K 1/4W 5%	1300391	1
2	D1, 2	DIODE D672	1105275	1
2	D3, 4	DIODE 1N746A 3.3V	1104860	1
9	C1 - 7, C24, C25	CAP. .01UF 100V 20% DISC	1001610	1
1	C8	CAP. .39UF 10V 10% TANT	1000076	1
7	C17 - 23	CAP. .330PF 100V 5% D.M.	1000023	1
8	C9 - 16	CAP. .470PF 5% 100V D.M.	1000024	1
1		ETCHED CIRCUIT BOARD	5009702	1
		MODULE ECO HISTORY	B-MH-M5940-0-6	1
		ASBY/DRILLING HOLE LAYOUT	D-AH-M5940-0-5	1
		X-Y COORDINATE HOLE LOCATION	K-CO-M5940-0-4	1
		DESCRIPTION	DEC PART NO.	REV.
		PARTS LIST		

REVISIONS CHG NO REV 1 00001 B E. J. WALTON W. WALTON	DATE 8/3/71 DESIGNED BY S. COOPER DATE 1/74 SITE NY46A DATE PROD	TRANSISTOR & DIODE CONVERSION CHART DEC EM D672 1N3653 NY46A SAME	TITLE EIA LEVEL CONVERTER EQUIPMENT CORPORATION 100 TOWN SQUARE, BOSTON, MASSACHUSETTS PRINTED CIRCUIT REV. 8
---	---	--	---

M5940-0-1