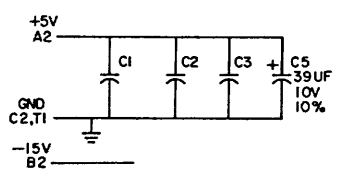
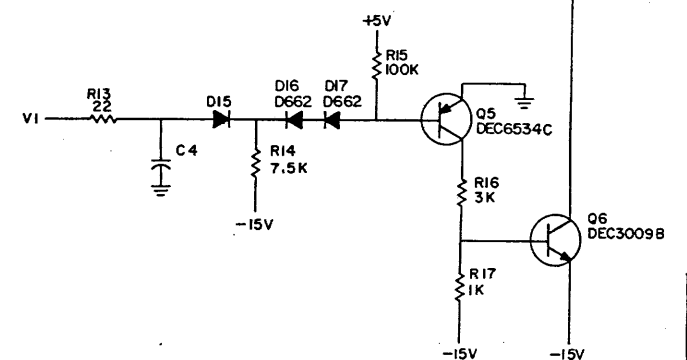
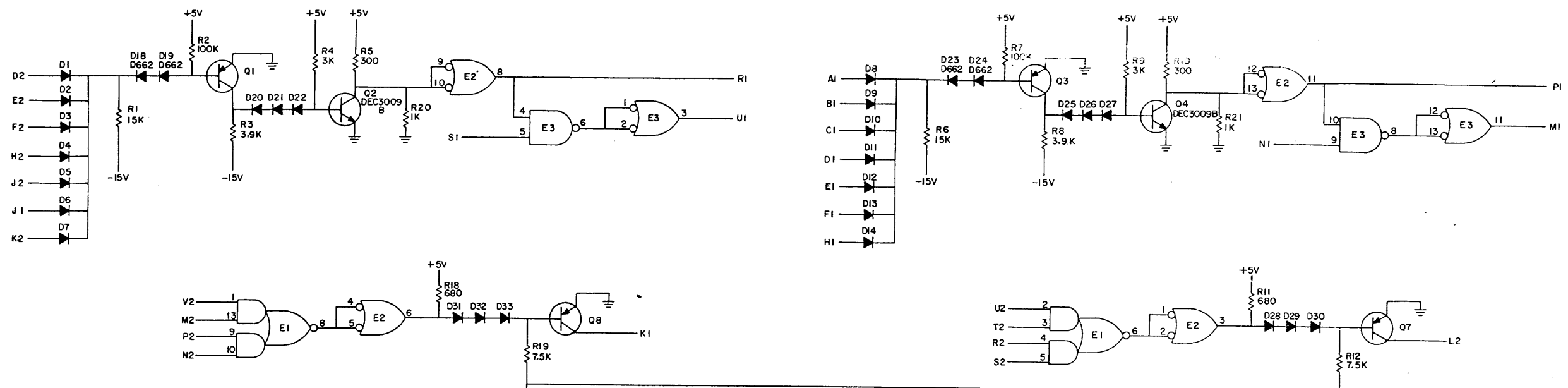
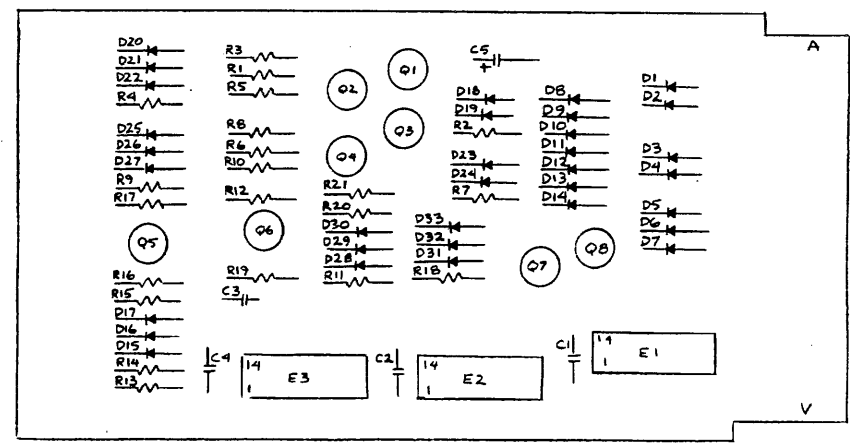


THIS SCHEMATIC IS FURNISHED ONLY FOR TEST AND MAINTENANCE PURPOSES. THE CIRCUITS ARE PROPRIETARY IN NATURE AND SHOULD BE TREATED ACCORDINGLY. COPYRIGHT 1971 BY DIGITAL EQUIPMENT CORPORATION.



UNLESS OTHERWISE INDICATED:
 RESISTORS ARE 1/4W, 5%
 CAPACITORS ARE .01UF, 100V, 20%
 TRANSISTORS ARE DEC4258
 DIODES ARE D664
 E1 IS DEC1074H50
 E2, E3 ARE DEC1074H00
 PIN 7 = GND
 PIN 14 = +5V ON EACH IC



24	9008337-06	HANDLE, FLIP COMP - MAGNETA	1
23	9006732	EYELETS	2
22	1910512	I.C. DEC1074H50	1
21	1910462	I.C. DEC1074H00	2
20	1505321	TRANSISTOR DEC 4258	4
19	1503100	TRANSISTOR DEC 3009B	3
18	1508409-02	TRANSISTOR DEC6534C	1
17	1302466	RES. 100K, 1/4, 5%	3
16	1301969	RES. 22, 1/4, 5%	1
15	1301425	RES. 300, 1/4, 5%	2
14	1301424	RES. 680, 1/4, 5%	2
13	1301422	RES. 7.5K, 1/4, 5%	3
12	1300496	RES. 15K, 1/4, 5%	2
11	1300444	RES. 3.9K, 1/4, 5%	2
10	1300432	RES. 3K, 1/4, 5%	3
9	1300365	RES. 1K, 1/4, 5%	3
8	1100114	DIODE D664	27
7	1100113	DIODE D662	6
6	1001610	CAP. .01UF, 100V, 20% DISC	4
5	1000076	CAP. .39UF, 10V, 10% DISC	1
4	5009379	PCB CIRCUIT BOARD	1
3	...	MODULE DEC 11709A	
2	...	ASSY/DRILLING PCB BOARD	
1	...	KEY COORDINATE REG. LOGIC	
		DESCRIPTION:	QTY

REV. 1	DATE 1/4/71	DESIGNER J. COOPER	DRN 114
REV. 2	DATE	DESIGNER	DRN
REV. 3	DATE	DESIGNER	DRN
REV. 4	DATE	DESIGNER	DRN
REV. 5	DATE	DESIGNER	DRN

TRANSISTOR & DIODE CONVERSION CHART			
DEC	EA	DEC	EA
DEC3009B	2N3009	D664	1N4308
DEC4258	2N4258	D662	1N432

TITLE		I/O DEVICE SELECT M592	
EQUIPMENT CORPORATION		SIZE D	CODE CS
MAYNAB, MASSACHUSETTS		NUMBER M592-0-1	REV D
PRINTED CIRCUIT REV.		C	