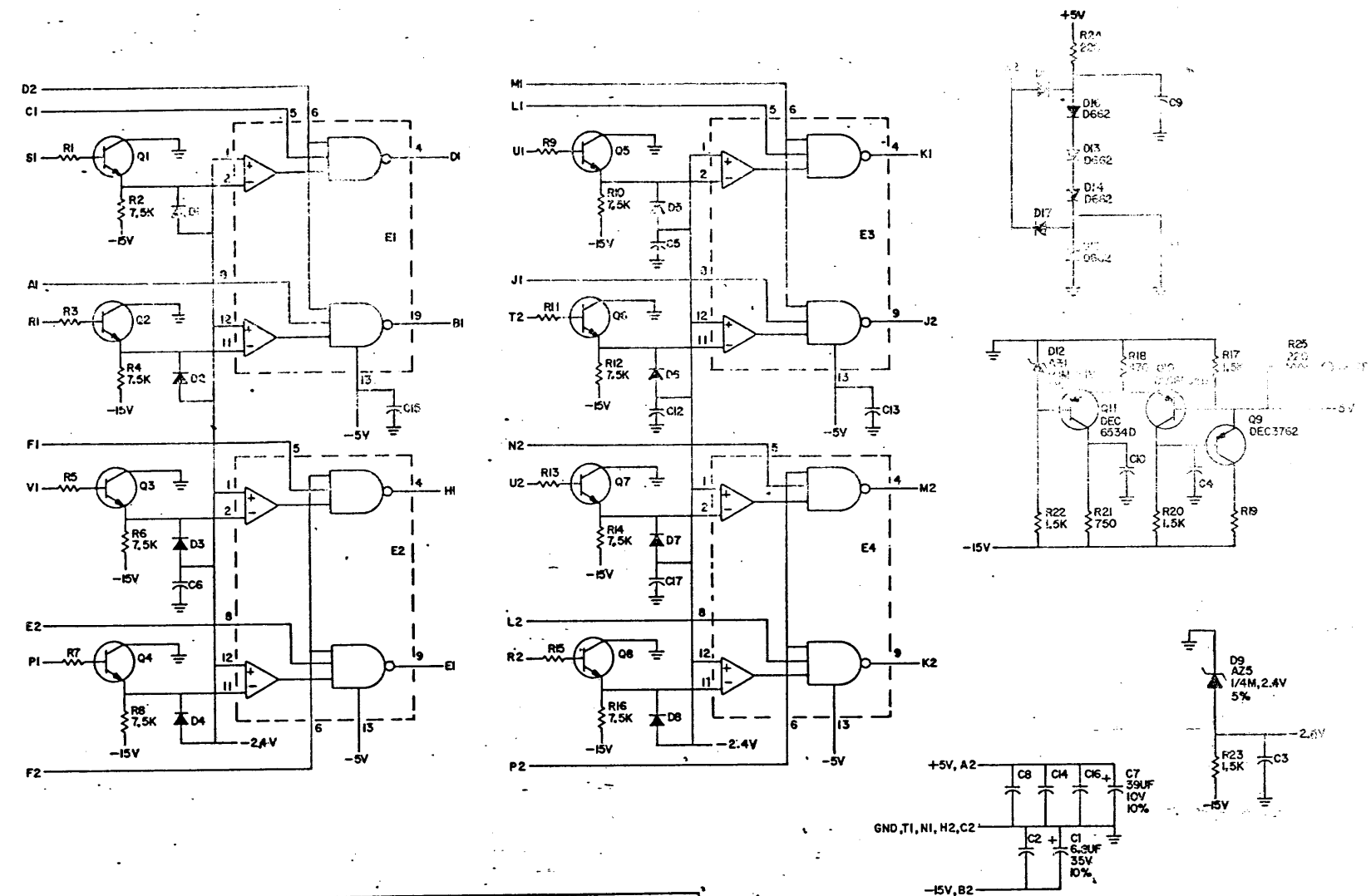
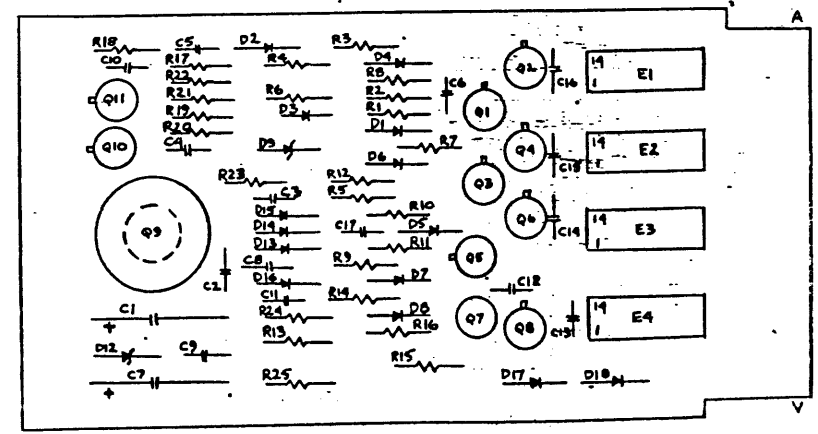


THIS SCHEMATIC IS FURNISHED ONLY FOR TEST AND MAINTENANCE PURPOSES. THE CIRCUITS ARE PROPRIETARY IN NATURE AND SHOULD BE TREATED ACCORDINGLY. COPYRIGHT 1970 BY DIGITAL EQUIPMENT CORPORATION.



UNLESS OTHERWISE INDICATED:  
 TRANSISTORS = DEC3009B  
 DIODES = D664  
 RESISTORS = 100, 1/4W, 5%  
 CAPACITORS = .01UF, 100V, 20%  
 IC'S = DEC75107  
 PIN 7 = GND  
 PIN 14 = +5V ON ALL IC'S



25	1101938	DIODE AZ5 1/4M, 2.4V 5%	1
24	9008268	WAKEFIELD THERMAL COMPOUND	A/R
23	9008337-06	HANDLE, FLIP CHIP - MAGENTA	1
22	9006732	EYELET #GS 4-7	2
21	1910268	I.C. DEC 75107	4
20	1509649	TRANSISTOR DEC 3762	1
19	1503409-00	TRANSISTOR DEC 6534D	2
18	1503100	TRANSISTOR DEC 3009B	8
17	1301422	RES. 7.5K, 1/4W, 5%	8
16	1301401	RES. 750, 1/4W, 5%	1
15	1300391	RES. 1.5K, 1/4W, 5%	4
14	1300316	RES. 470, 1/4W, 5%	1
13	1300271	RES. 220, 1/4W, 5%	2
12	1300229	RES. 100, 1/4W, 5%	9
11	1202313	HEAT SINK	1
10	1105871	DIODE AZ1, 1/4M, 5.1V, 1%	1
9	1100114	DIODE D664	10
8	1100113	DIODE D662	4
7	1005306	CAP. 6.8UF, 35V, 10% S. TANT	1
6	1001610	CAP. .01UF, 100V, 20% DISC	15
5	1000076	CAP. 39UF, 10V, 10% S. TANT	1
4	5009353	ETCHED CIRCUIT BOARD	1
3	E-CC-1564-0-6	MODULE ECO HISTORY	
2	C-AS-M564-0-5	ASSY/DRILLING HOLE LAYOUT	
1	K-CC-M564-0-4	X-Y COORDINATE HOLE LOCATION	
ITEM	DEC PART NO.	DESCRIPTION	QTY
PARTS LIST			

DESIGNED BY R. B. BROWN	CHECKED BY J. M. BROWN	DATE 12/15/70	DATE 7-11-71	DATE 12-11-71	DATE 12-11-71	DATE 12-11-71	DATE 12-11-71
TRANSISTOR & DIODE CONVERSION CHART				TITLE -3V I.O. BUS RECEIVER M564			
DEC	EM	DEC	EM	DEC	EM	DEC	EM
DEC3009B	2130C9	DEC6534D	MPS6534	D662	IN648	D664	A21
DEC75107		DEC3762					
PROB.	DATE						

EQUIPMENT CORPORATION  
 SHEET NO. 1 OF 1  
 NUMBER M564-0-1  
 REV. F  
 PRINTED CIRCUIT REV. E