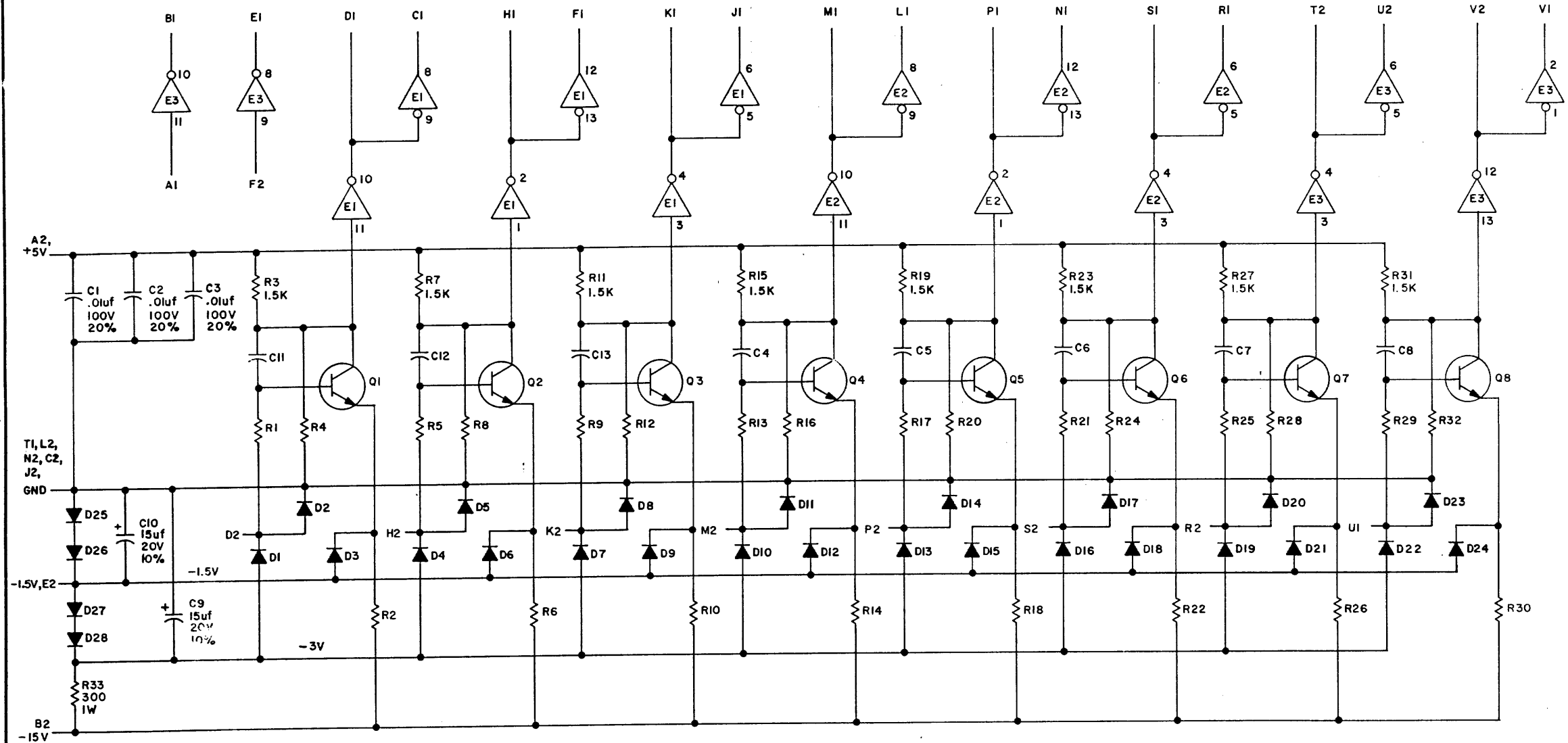


THIS SCHEMATIC IS FURNISHED ONLY FOR TEST AND MAINTENANCE PURPOSES. THE CIRCUITS ARE PROPRIETARY IN NATURE AND SHOULD BE TREATED ACCORDINGLY. COPYRIGHT 1970 BY DIGITAL EQUIPMENT CORPORATION



UNLESS OTHERWISE INDICATED:  
 RESISTORS ARE 3K, 1/4W, 5%  
 DIODES ARE D664  
 CAPACITORS ARE 150 pf, 100V, 5%  
 TRANSISTORS ARE DEC3009B  
 IC'S ARE DEC7404

|  |                                     |                                     |     |     |                                      |   |                              |  |  |
|--|-------------------------------------|-------------------------------------|-----|-----|--------------------------------------|---|------------------------------|--|--|
| REVISIONS<br>CHK/CHK NO./REV.<br>1/00001 A | DRN. <i>Nancy Moore</i> DATE 9/5/70 | TRANSISTOR & DIODE CONVERSION CHART |     |     |                                      | <b>digital</b><br>EQUIPMENT CORPORATION<br>MAYNARD, MASSACHUSETTS | TITLE NEGATIVE BUS CONVERTER |  |  |
|  | CHK'D <i>R. Williams</i> DATE       | DEC 3009B    EIA 2N3009             | DEC | EIA | SIZE C    CODE CS    NUMBER M531-0-1 |   | REV. A                       |  |  |
|  | ENG. <i>R. Williams</i> DATE 4/8/70 | D664    IN3606                      |     |     | PRINTED CIRCUIT REV. A               |   |                              |  |  |
|  | PRG. <i>D. Wall</i> DATE 6/9/70     |                                     |     |     |                                      |   |                              |  |  |

Dist. 304 434 435 5 rk

SIZE CODE C CS    NUMBER M531-0-1    REV. A