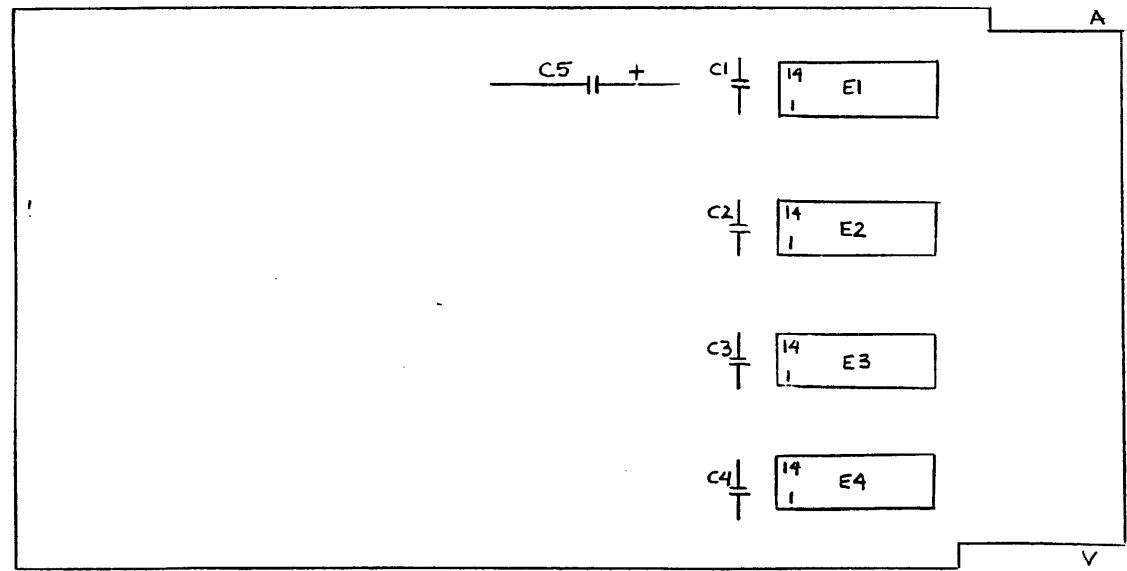
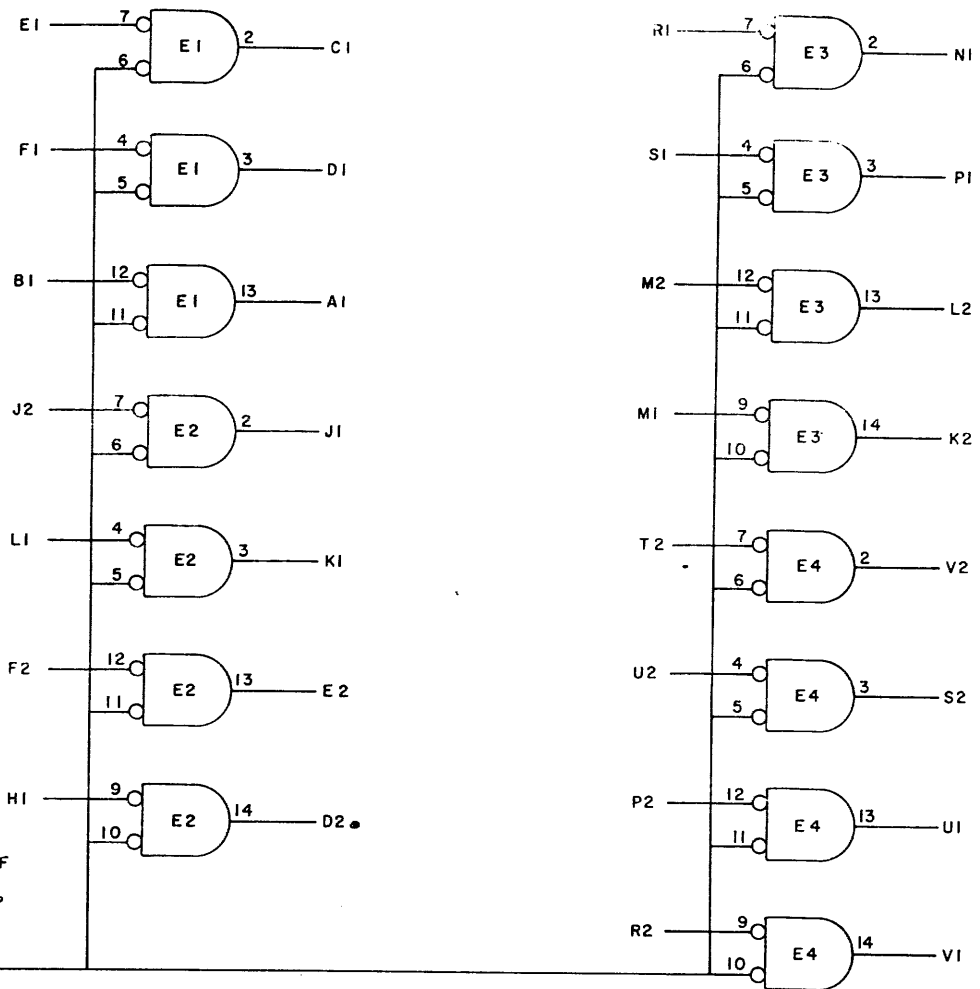
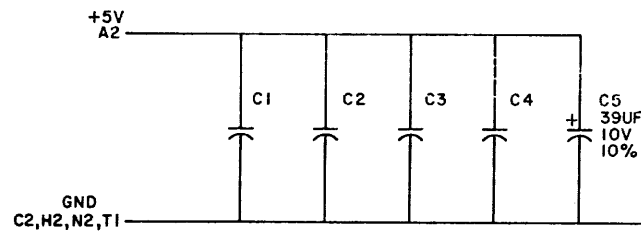


THIS SCHEMATIC IS FURNISHED ONLY FOR TEST AND MAINTENANCE PURPOSES. THE CIRCUITS ARE PROPRIETARY IN NATURE AND SHOULD BE TREATED ACCORDINGLY. COPYRIGHT 1970 BY DIGITAL EQUIPMENT CORPORATION

UNLESS OTHERWISE INDICATED:
CAPACITORS ARE .01UF, 100V, 20%
IC'S ARE DEC 380A
PIN 1= GND ON EACH IC
PIN 8= +5V



ITEM NO.	DEC PART NO.	DESCRIPTION	QTY.
9	9008337-06	HANDLE, FLIP CHIP - MAGENTA	1
8	9006732	EYELET #GS 4-7	2
7	1909485	I.C. DEC 380A	4
6	1001610	CAP. .01UF, 100V, 20% DISC	4
5	1000076	CAP. 39UF, 10V, 10% S. TANT	1
4	5009338	ETCHED CIRCUIT BOARD	1
3	B-MH-M511-0-6	MODULE ECO HISTORY	
2	C-AH-M511-0-5	ASSY/DRILLING HOLE LAYOUT	
1	K-CO-M511-0-4	X-Y COORDINATE HOLE LOCATION	

PARTS LIST

REVISIONS CHK/CHG NO/REV	DRN: <i>S. Cooper</i> DATE: <i>12/14/70</i>	TRANSISTOR & DIODE CONVERSION CHART		digital EQUIPMENT CORPORATION MAYNARD, MASSACHUSETTS	TITLE: POSITIVE BUS RECEIVER M511	
	CHK'D: <i>dm-m</i> DATE: <i>2-4-71</i>	DEC: EIA: DEC: EIA:	SIZE: C CODE: CS NUMBER: M511-0-1 REV: A			
	ENG: <i>De Salt</i> DATE:	PRINTED CIRCUIT REV: <i>B</i>				
	PROD: DATE:					

REV. A
NUMBER M511-0-1
SIZE CODE C CS