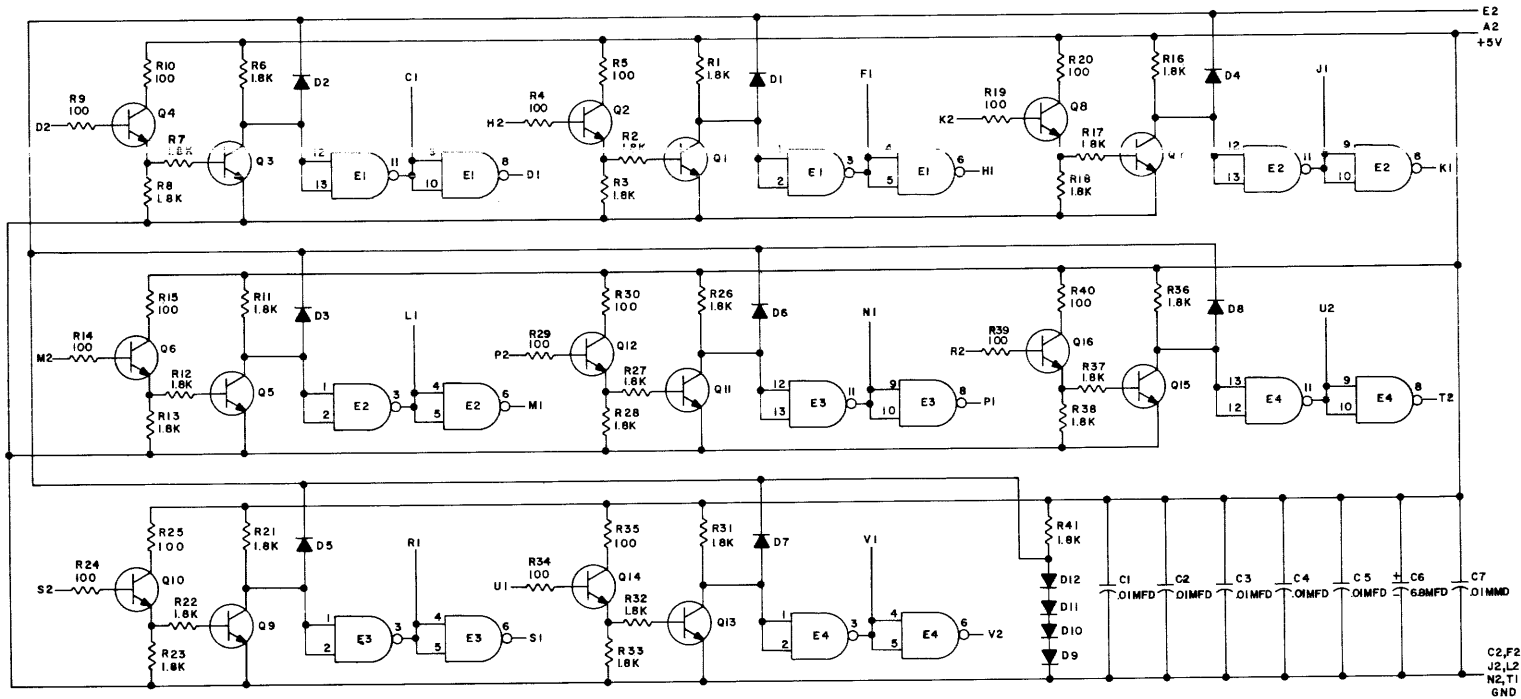


THIS SCHEMATIC IS FURNISHED ONLY FOR TEST AND MAINTENANCE PURPOSES. THE CIRCUITS ARE PROPRIETARY IN NATURE AND SHOULD BE TREATED ACCORDINGLY. COPYRIGHT 1969 BY DIGITAL EQUIPMENT CORPORATION



UNLESS OTHERWISE INDICATED
 IC'S ARE DEC7400
 PIN 7 ON EACH IC = GND
 PIN 14 ON EACH IC = +5V
 DIODES ARE D664
 RESISTORS ARE 1/4W 10%
 TRANSISTORS ARE DEC 3009

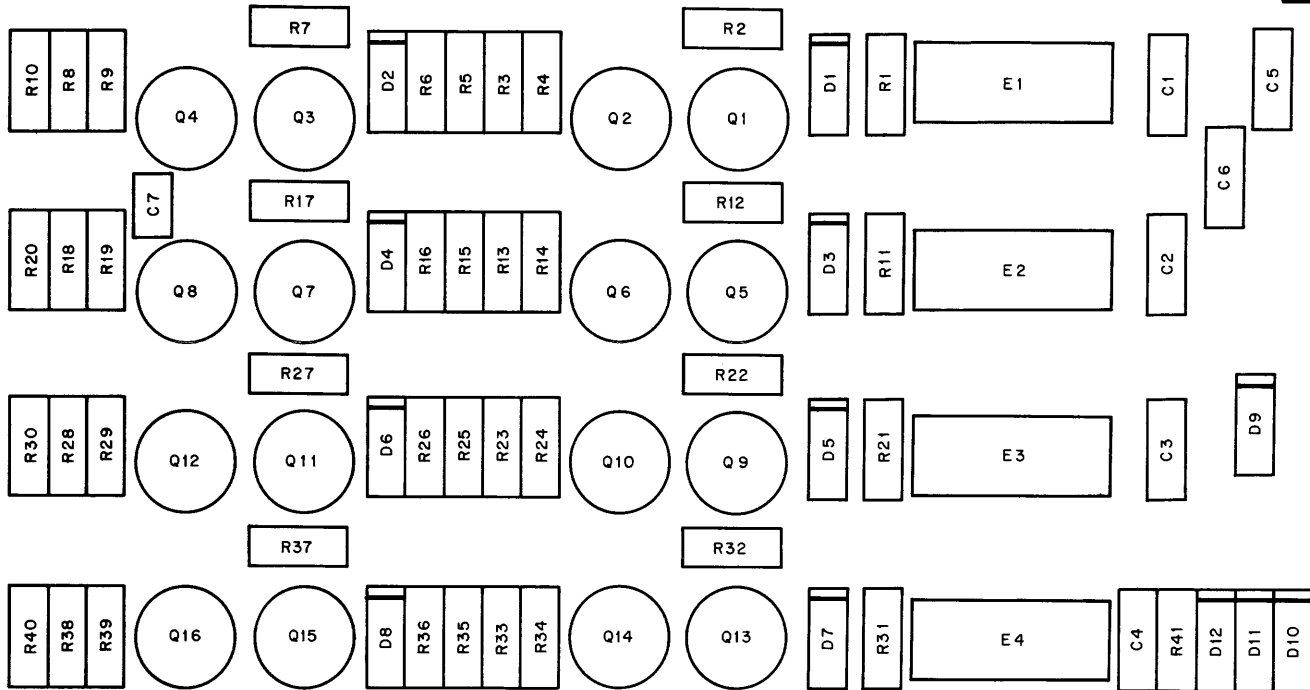
REVISIONS
 CHK CHG NO. REV.

DRN: *W. J. Sullivan*
 DATE: 12-2-69
 CHG'D BY: *W. J. Sullivan*
 DATE: 2/11/69
 ENR: *W. J. Sullivan*
 DATE: 5-4-69
 PROD. DATE:

| TRANSISTOR & DIODE CONVERSION CHART | | | |
|-------------------------------------|--------|-----|--|
| DEC | | EIA | |
| D664 | 1N3606 | | |
| DEC3009 | 2N3009 | | |
| | | | |
| | | | |

digital
 EQUIPMENT CORPORATION
 MAYFARDE, MASSACHUSETTS

TITLE: IO BUS RECEIVER M510
 SIZE: C CODE: CS NUMBER: M510-0-1 REV: A
 PRINTED CIRCUIT REV. A



M510