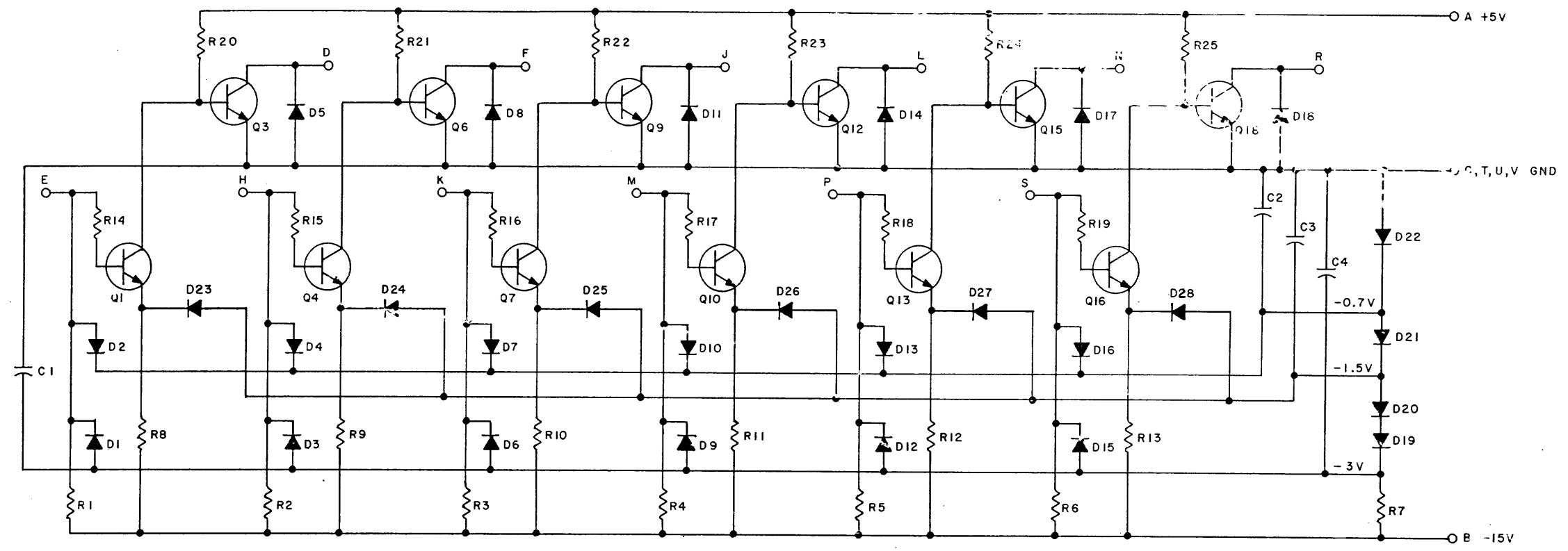
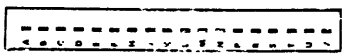


THIS SCHEMATIC IS FURNISHED ONLY FOR TEST AND MAINTENANCE PURPOSES. THE CIRCUITS ARE PROPRIETARY IN NATURE AND SHOULD BE TREATED ACCORDINGLY. COPYRIGHT 1968 BY DIGITAL EQUIPMENT CORPORATION.



REV. A
NUMBER 0-1
SIZE CODE CS M508-0-1

Q15, Q16, Q18	TRANSISTOR DEC3009B-S	1503100
Q1, Q3, Q4, Q6, Q7, Q9, Q10, Q12, Q13,	RES. 1K 1/4W 5% CC	1300365
R20-R25	RES. 2.2K 1/4W 5% CC	1300417
R8-R13	RES. 470 1/4W 5% CC	1300316
R14-R19	RES. 1.5K 1/4W 5% CC	1300391
R7	RES. 7.5K 1/4W 5% CC	1301422
R1-R6	CAP. .01 MFD 100V 20% DISC	1001610
C1-C4	DIODE D662	1100113
D19-D22	DIODE D664	1100114
D1-D18, D23-D28	PARTS LIST	A-PL-M508-0-0
REFERENCE DESIGNATION	DESCRIPTION	PART NO.



REVISIONS	CHKD	DATE
00001 A	M. Neller	8-29-68
	W. H. Kelly	8-29-68
	ENG	DATE
	PROD	DATE

DEC FORM NO DRC 107

DRN	DATE	TRANSISTOR & DIODE CONVERSION CHART
M. Neller	8-29-68	DEC EIA
W. H. Kelly	8-29-68	DEC EIA
ENG	DATE	DEC3009B 2N3009
PROD	DATE	D662 1N645
		D664 1N645

DEC	EIA	DEC	EIA

digital EQUIPMENT CORPORATION
MAYNARD, MASSACHUSETTS

TITLE: BUS CONVERTER M508

SIZE CODE: C CS M508-0-1
NUMBER: 0-1
REV. A

PRINTED CIRCUIT REV. C