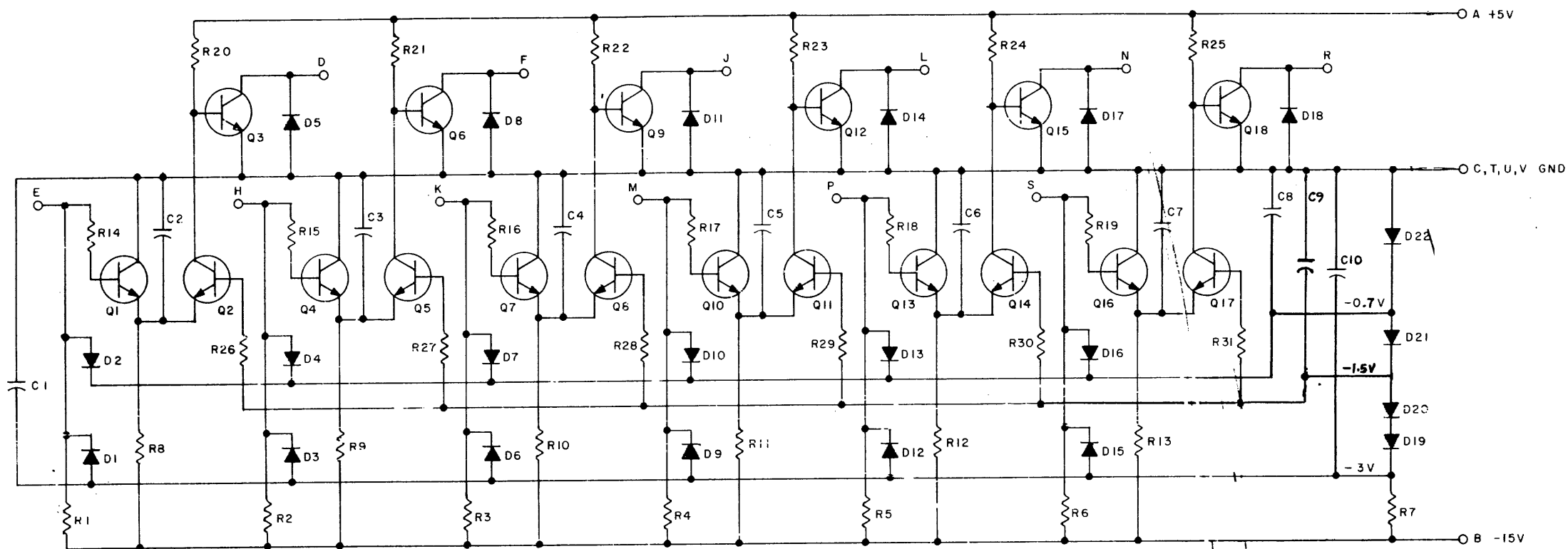


THIS SCHEMATIC IS FURNISHED ONLY FOR TEST AND MAINTENANCE PURPOSES. THE CIRCUITS ARE PROPRIETARY IN NATURE AND SHOULD BE TREATED ACCORDINGLY. COPYRIGHT 1968 BY DIGITAL EQUIPMENT CORPORATION



SIZE CODE NUMBER  
C CS M507-0-1

Q1-Q18	TRANSISTOR DEC3009B-S	1503100
R20-R25,	RES. 1K 1/4W 5% CC	1300365
R8-R13	RES. 2.2K 1/4W 5% CC	1300417
R14-R19, R26-R31,	RES. 470 1/4W 5% CC	1300316
R1-R7,	RES. 1.5K 1/4W 5% CC	1300391
C2-C7	CAP. 470 MMF 100V 5% DM	1000024
C1, C8, C10	CAP. 0.01 MFD 100V 20% DISC	1001610
D19-D22,	DIODE D662	1100113
D1-D18,	DIODE D664	1100114
REFERENCE DESIGNATION	DESCRIPTION	PART NO.

REV	DESCRIPTION
1	00001 A
2	00003 D
3	00005 E

DRN <i>M. Keller</i>	DATE 8-23-68
CHK'D <i>H. B. Keller</i>	DATE 8-23-68
ENG <i>J. G. Keller</i>	DATE 8-23-68
WRD	DATE DEC2894-1B

TRANSISTOR & DIODE CONVERSION CHART			
DEC	EIA	DEC	EIA
DEC3009B	2N3009		
D662	1N645		
D664	1N3606		
DEC2894-1B	NONE		

**digital**  
EQUIPMENT CORPORATION  
MAYNARD, MASSACHUSETTS

TITLE  
**BUS CONVERTER M507**

SIZE CODE NUMBER REV  
C CS M507-0-1 E

PRINTED CIRCUIT REV. **B**