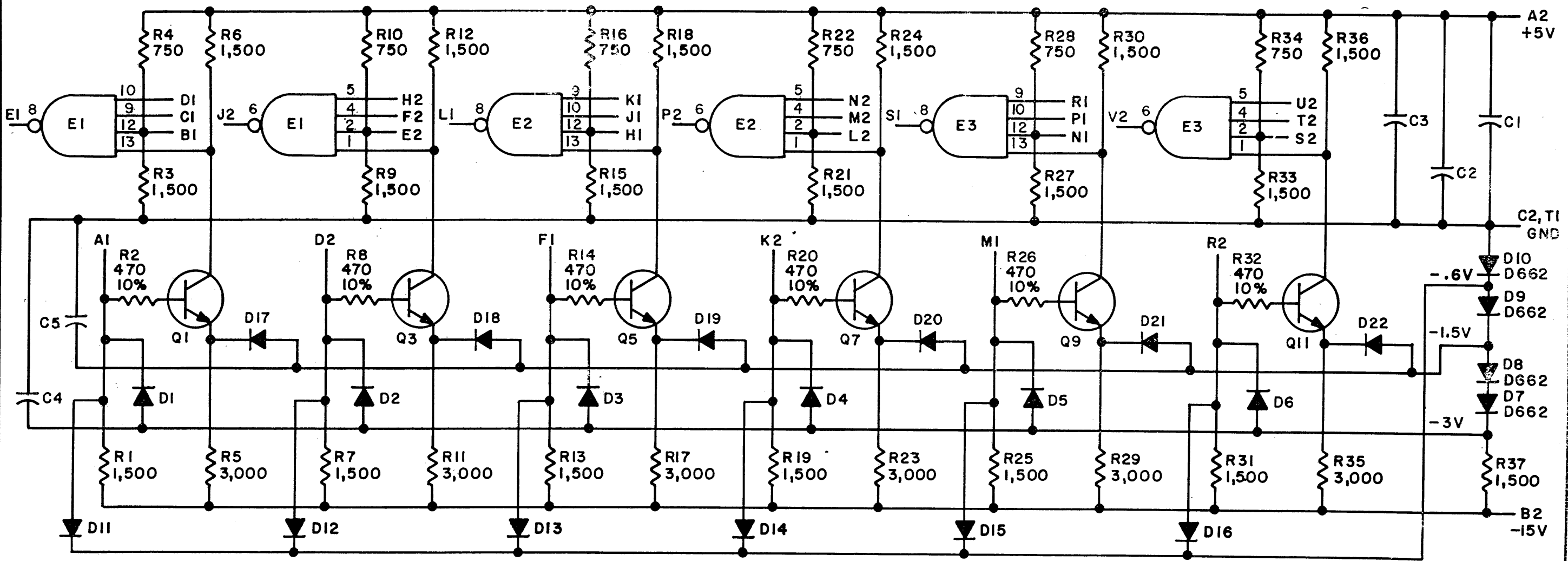


THIS SCHEMATIC IS FURNISHED ONLY FOR TEST AND MAINTENANCE PURPOSES. THE CIRCUITS ARE PROPRIETARY IN NATURE AND SHOULD BE TREATED ACCORDINGLY. COPYRIGHT 1967 BY DIGITAL EQUIPMENT CORPORATION



UNLESS OTHERWISE INDICATED:
 TRANSISTORS ARE DEC3009B
 RESISTORS ARE 1/4W, 5%
 DIODES ARE D664
 CAPACITORS ARE .01 MFD, 100V, 20%
 IC'S ARE DEC7420N
 PIN 7 ON EACH IC = GND
 PIN 14 ON EACH IC = +5V

PARTS LIST A-PL-M506-0-0

REVISIONS CHK CHG NO. REV. A B D 6874 00001 00002 00003	DRN. M. Waller	DATE 4-14-67	TRANSISTOR & DIODE CONVERSION CHART				digital EQUIPMENT CORPORATION MAYNARD, MASSACHUSETTS	TITLE NEGATIVE INPUT CONVERTER M506			
	CHK'D	DATE 4/26/67	DEC	EIA	DEC	EIA		SIZE B	CODE CS	NUMBER M506-0-1	REV. D
	END	DATE 4/27/67	DEC3009B	2N3009							
	PROD.	DATE	D664	IN3606							
			D662	IN645							