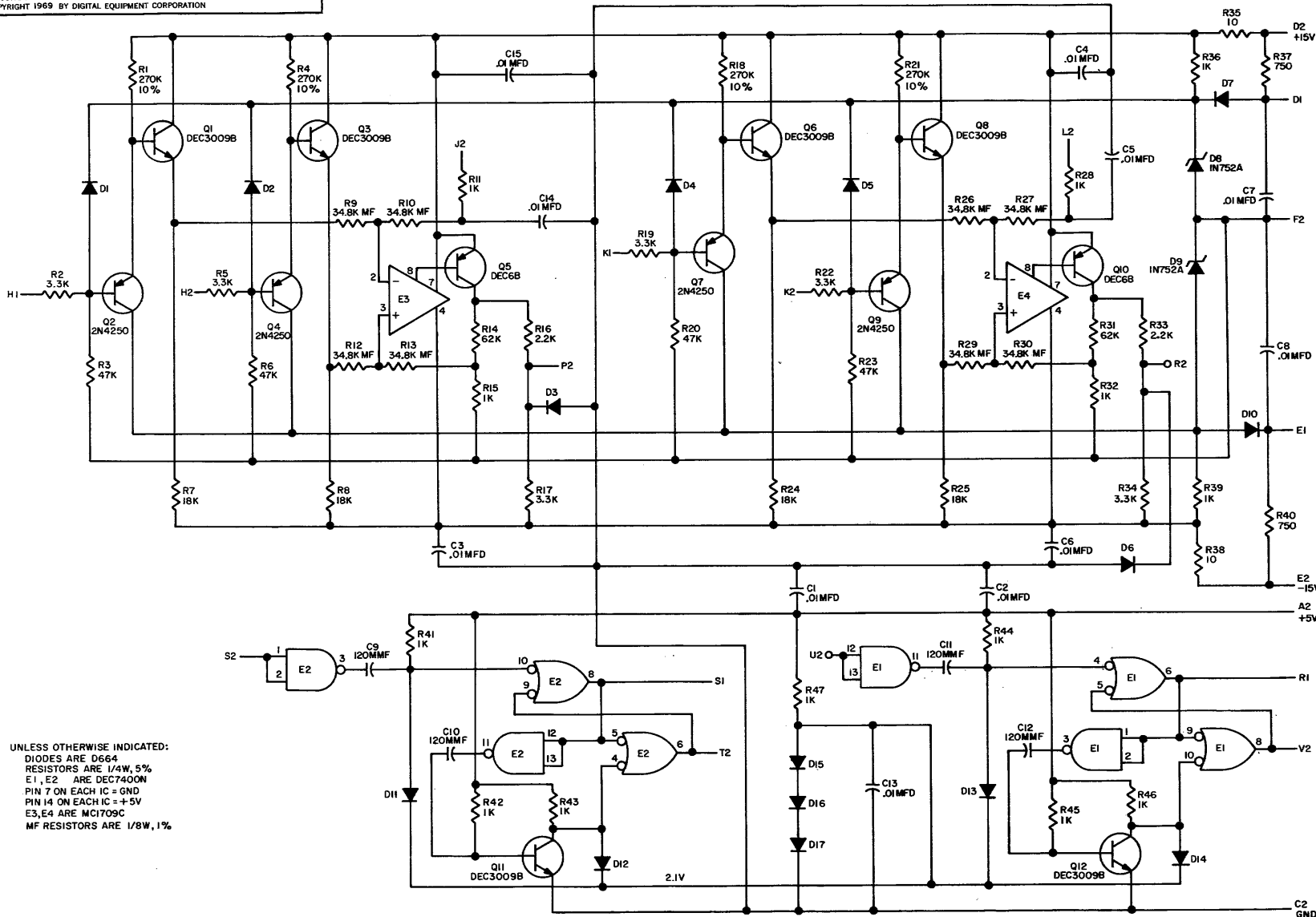


THIS SCHEMATIC IS FURNISHED ONLY FOR TEST AND MAINTENANCE PURPOSES. THE CIRCUITS ARE PROPRIETARY IN NATURE AND SHOULD BE TREATED ACCORDINGLY. COPYRIGHT 1969 BY DIGITAL EQUIPMENT CORPORATION



UNLESS OTHERWISE INDICATED:
 DIODES ARE D664
 RESISTORS ARE 1/4W, 5%
 E1, E2 ARE DEC7400N
 PIN 7 ON EACH IC = GND
 PIN 14 ON EACH IC = +5V
 E3, E4 ARE MC1709C
 MF RESISTORS ARE 1/8W, 1%

REVISIONS	CHK	CHG	NO.	REV.

DRN	BUTLER	DATE	5/11/69
CHRT		DATE	5/26/69
ENG.	R. J. ...	DATE	6/20/69
PROD.		DATE	

TRANSISTOR & DIODE CONVERSION CHART			
DEC	EIA	DEC	EIA
D664	IN3606		
DEC3009B	2N3009		
2N4250	NONE		
IN752A	SAME		
DEC6B	NONE		



TITLE	SCHMITT TRIGGER M503		
SIZE	CODE	NUMBER	REV.
C	CS	M503-0-1	
PRINTED CIRCUIT REV.			
A			

REC. NUMBER: M503-0-1
 SIZE CODE: C CS