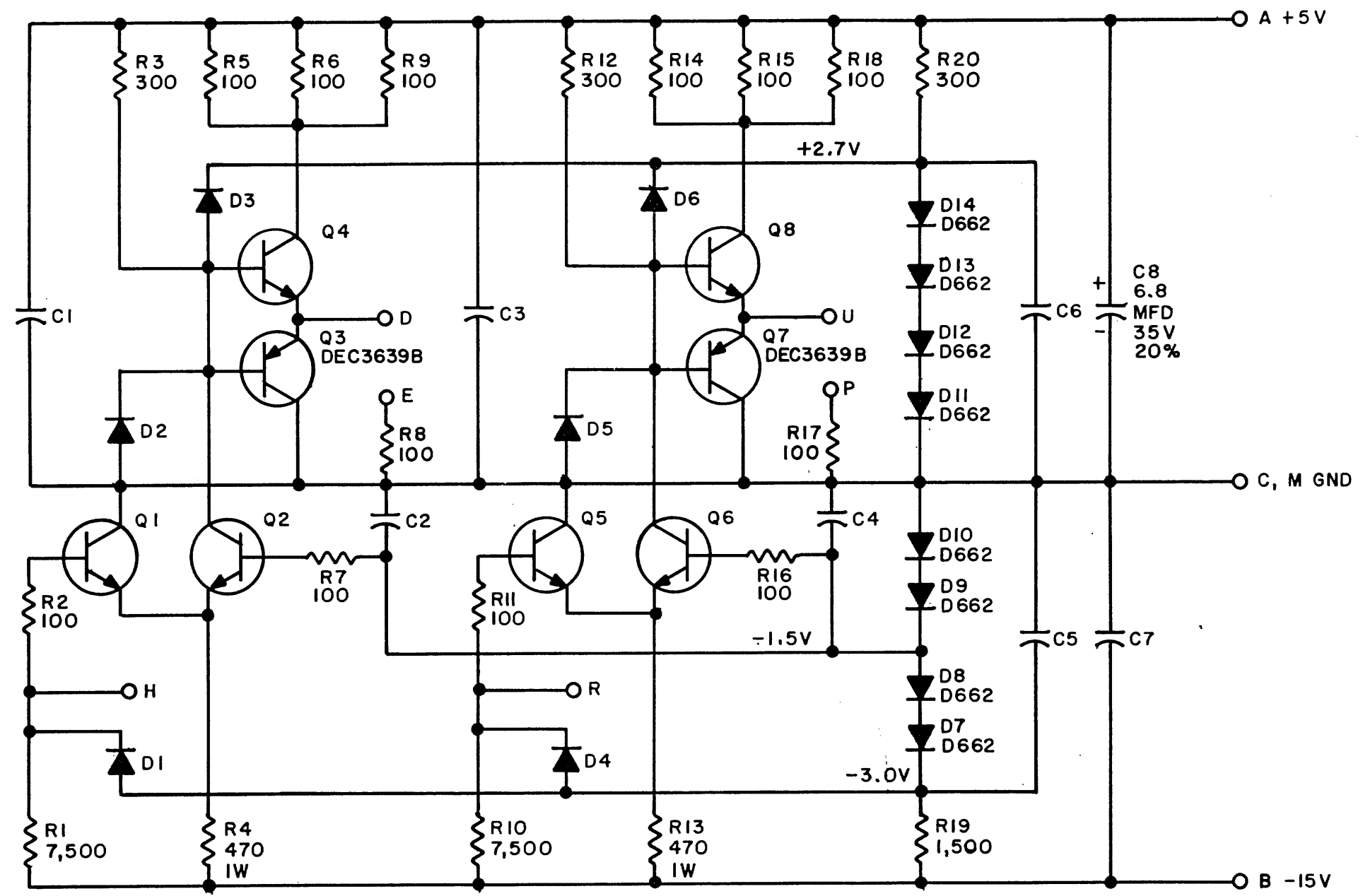
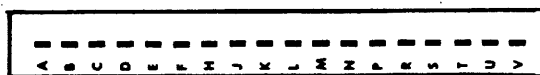


THIS SCHEMATIC IS FURNISHED ONLY FOR TEST AND MAINTENANCE PURPOSES. THE CIRCUITS ARE PROPRIETARY IN NATURE AND SHOULD BE TREATED ACCORDINGLY. COPYRIGHT 1967 BY DIGITAL EQUIPMENT CORPORATION



UNLESS OTHERWISE INDICATED:
 TRANSISTORS ARE DEC3009B
 CAPACITORS ARE .01 MFD
 DIODES ARE D664
 RESISTORS ARE 1/4W, 5%



PARTS LIST A-PL-M502-0-0

REVISIONS	CHK	CHG NO.	REV.
		6675	A
		6784	B
		000011	C

DATE: 8/21/72
 J. O. RLANDO
 J. Orlano

DRN. <i>M. Haller</i>	DATE 6-2-67
CHK'D <i>M. Meyer</i>	DATE 6-2-67
ENG. <i>C. Ricketto</i>	DATE 6-2-67
PROD.	DATE

TRANSISTOR & DIODE CONVERSION CHART			
DEC		EIA	
DEC3009B	2N3009		
DEC3639B	2N3639		
D662	IN645		
D664	IN3606		

digital
 EQUIPMENT CORPORATION
 MAYNARD, MASSACHUSETTS

TITLE NEGATIVE INPUT CONVERTER M502			
SIZE B	CODE CS	NUMBER M502-0-1	REV. C
PRINTED CIRCUIT REV.			C

PINK

DIST.	324	434	435 ²
-------	-----	-----	------------------