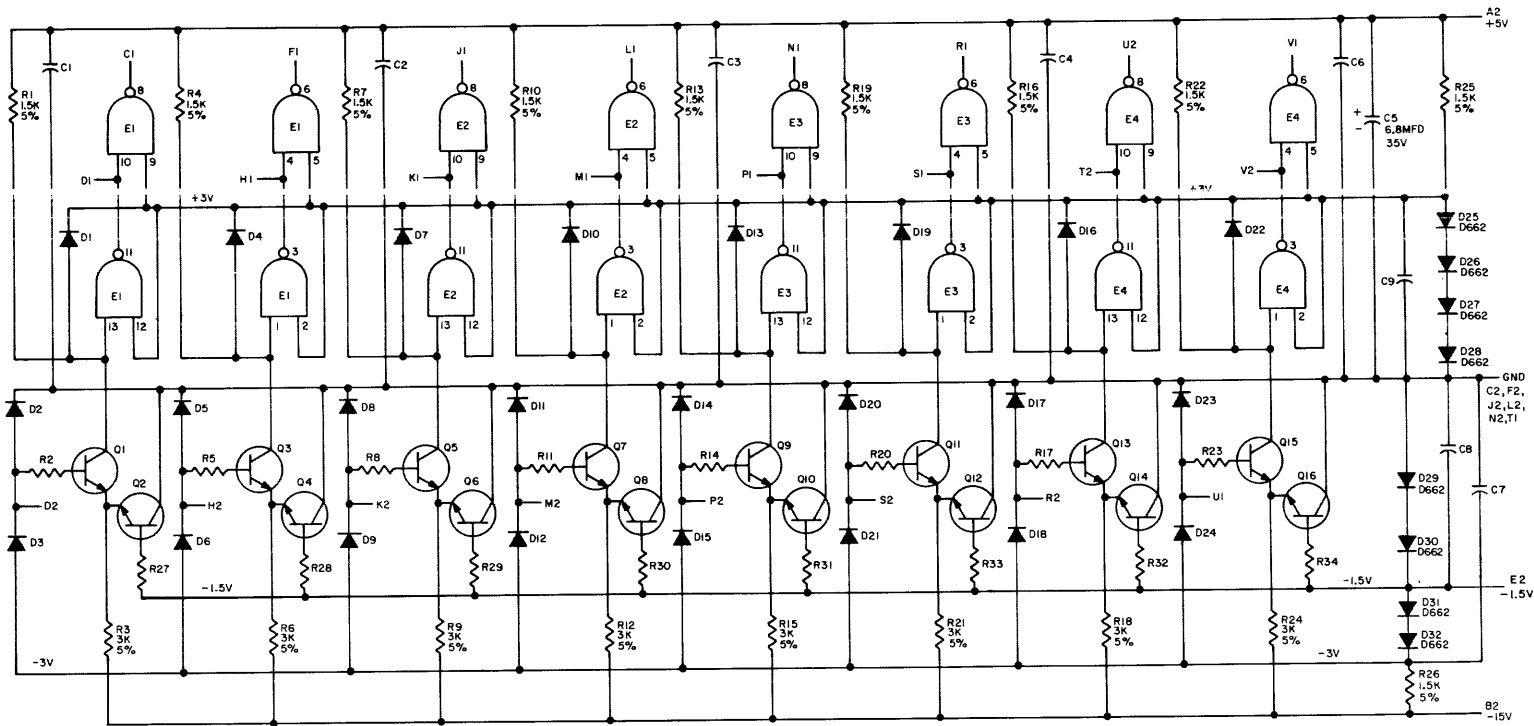


THIS SCHEMATIC IS FURNISHED ONLY FOR TEST AND MAINTENANCE PURPOSES. THE CIRCUITS ARE PROPRIETARY IN NATURE AND SHOULD BE TREATED ACCORDINGLY. COPYRIGHT 1969 BY DIGITAL EQUIPMENT CORPORATION



UNLESS OTHERWISE INDICATED:
 TRANSISTORS ARE DEC3009B
 DIODES ARE D664
 RESISTORS ARE 1/4W, 10%
 IC'S ARE DEC74HOON
 PIN 7 ON EACH IC = GND
 PIN 14 ON EACH IC = +5V
 CAPACITORS ARE .01 MFD
 RESISTORS ARE 470

M500-4

| REV | DATE | BY | CHK | REL |
|-----|------|----|-----|-----|
| | | | | |

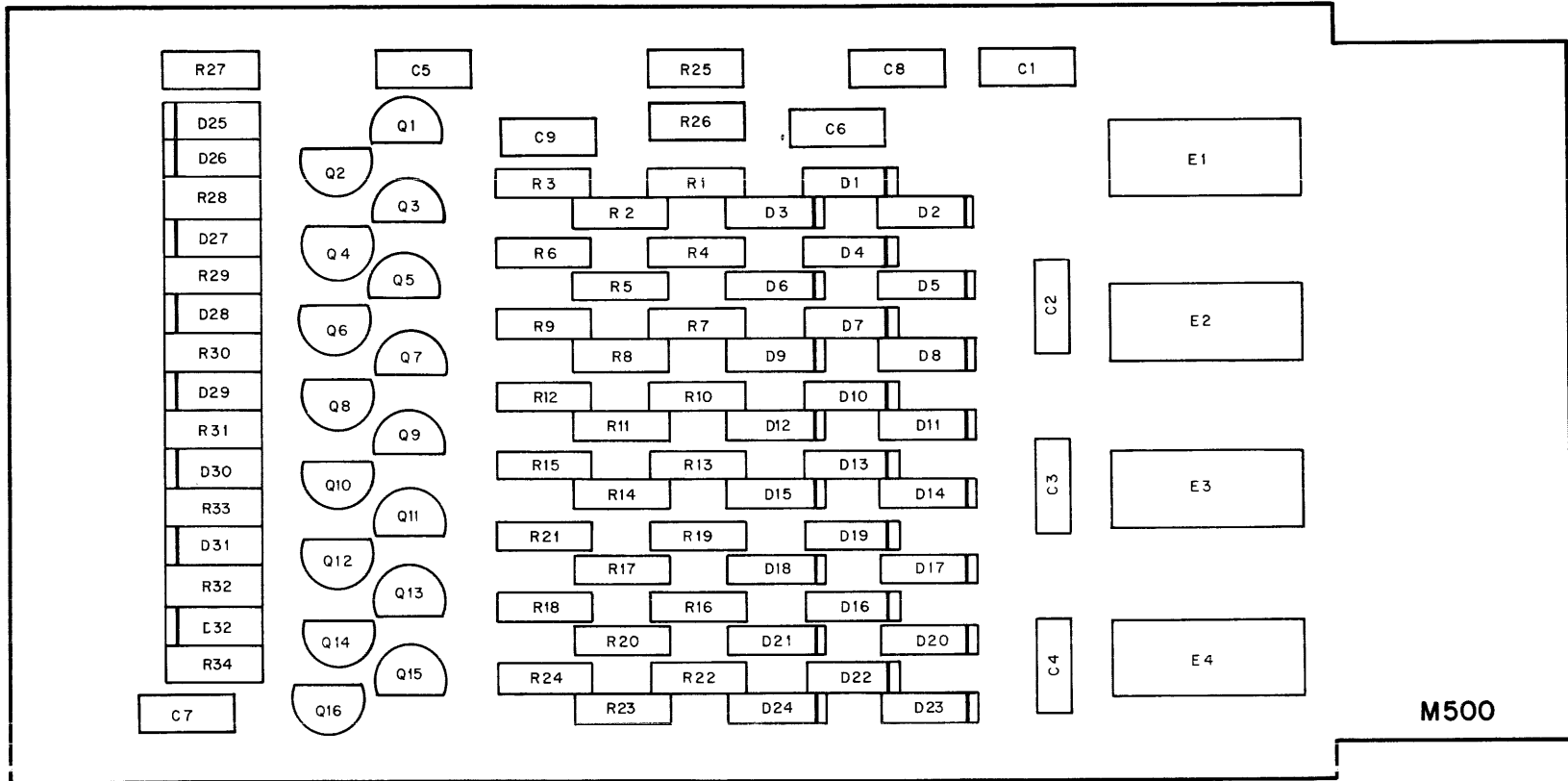
| DRN | DATE | TRANSISTOR & DIODE CONVERSION CHART |
|------------|---------|-------------------------------------|
| BUTLER | 5/9/69 | DEC EIA DEC EIA |
| CHK'D | DATE | DEC3009B 2N3009B |
| M. Mowbray | 5-7-69 | D662 IN645 |
| ENG | DATE | D664 IN3506 |
| P. B. Shaw | 1-15-62 | |
| PROD | DATE | |

| DRN | DATE | TRANSISTOR & DIODE CONVERSION CHART |
|------------|---------|-------------------------------------|
| BUTLER | 5/9/69 | DEC EIA DEC EIA |
| CHK'D | DATE | DEC3009B 2N3009B |
| M. Mowbray | 5-7-69 | D662 IN645 |
| ENG | DATE | D664 IN3506 |
| P. B. Shaw | 1-15-62 | |
| PROD | DATE | |

digital
 EQUIPMENT CORPORATION
 MAYFELD, MASSACHUSETTS

| TITLE | SIZE | CODE | NUMBR | REV |
|-------------------------------|------|------|----------|-----|
| NEGATIVE INPUT CONVERTER M500 | C | CS | M500-0-1 | |
| PRINTED CIRCUIT REV | A | | | |

M500-5



M500