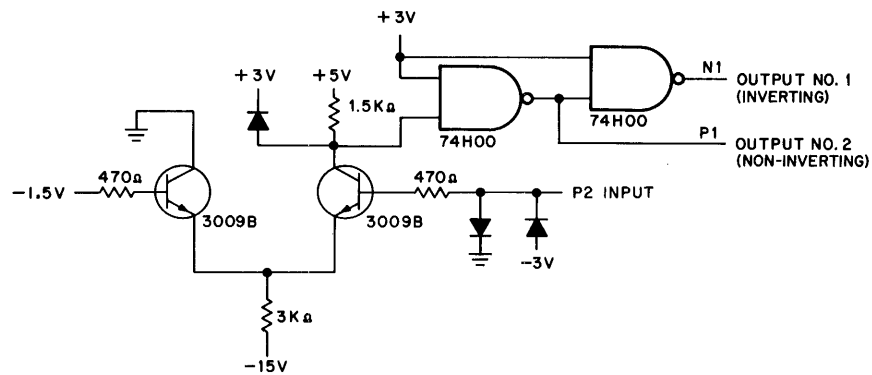


M500 Converter-I/O Bus Receiver

The M500 Converter - I/O Bus Receiver module is an M-series single-height module containing eight converter - I/O bus receivers that can accept negative logic levels and convert them to positive levels. Each converter - bus receiver has a negative input clamped to 0V and -3V. The threshold switching level is -1.5V with an input current of 100 μ A. Inverted and noninverted outputs are supplied by each receiver.



15 - 0074

M500 Simplified Diagram

The following are the input, output, and power characteristics of the M500 module.

- INPUTS:** Input characteristics are as follows:
 Minimum input impedance at 0V - 30 k Ω
 Maximum current load to bus - 100 μ A
 Inputs are standard negative logic levels of 0V and -3V.
- OUTPUTS:** Outputs are standard TTL positive logic levels with the following driving capability:
 Output No. 1 - 12 unit loads
 Output No. 2 - 11 unit loads
- DELAYS:** Input/Output No. 1 delay - 50 ns
 Input/Output No. 2 delay - 40 ns
- POWER:** Power dissipation in the M500 module is 750 mW (maximum) from -15V and 800 mW (maximum) from +5V.

The M500 module was designed to receive PDP-9 I/O bus signals for devices using positive logic. It provides a high input impedance. This module is pin compatible with the M510 module.