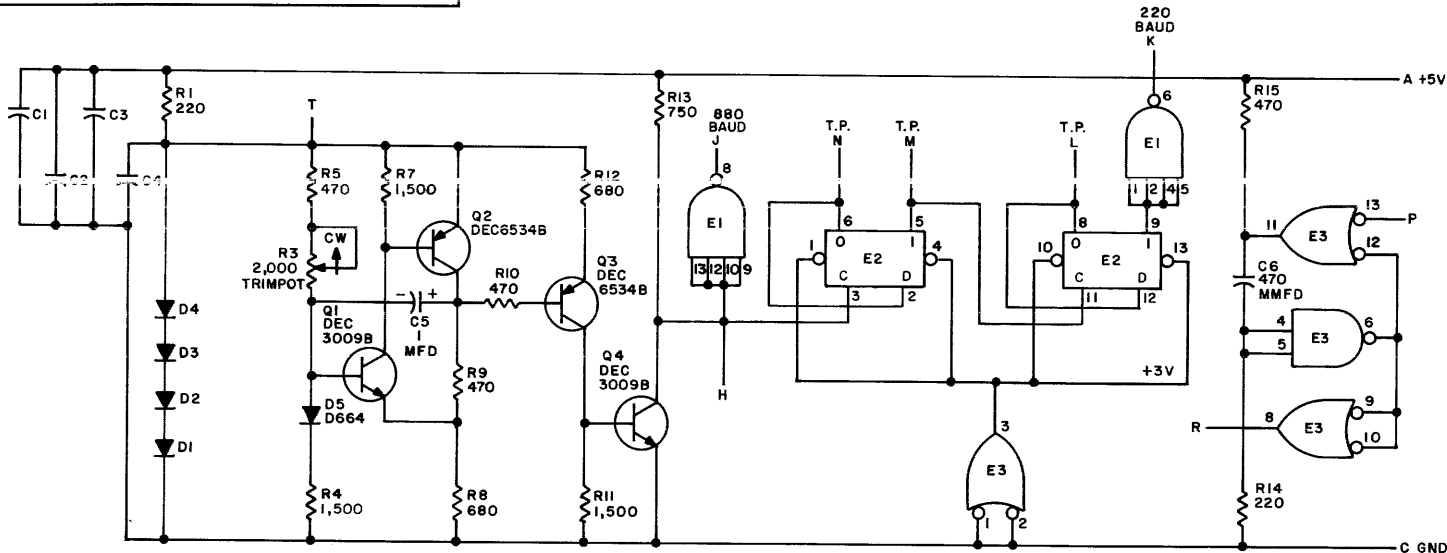
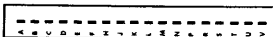


THIS SCHEMATIC IS FURNISHED ONLY FOR TEST AND MAINTENANCE PURPOSES. THE CIRCUITS ARE PROPRIETARY IN NATURE AND SHOULD BE TREATED ACCORDINGLY. COPYRIGHT 1967 BY DIGITAL EQUIPMENT CORPORATION



UNLESS OTHERWISE INDICATED:
 RESISTORS ARE 1/4W, 5%
 CAPACITORS ARE .01 MFD
 C5 IS 35V, 10%, TANT.
 DIODES ARE D662
 E1 IS DEC7440N
 E2 IS DEC7474N
 E3 IS DEC7400N
 PIN 7 ON EACH IC = GND
 PIN 14 ON EACH IC = +5V
 R3 IS A #275P



REVISIONS

CHK	CHG NO.	REV.

DRN	DATE
<i>m. Waller</i>	4-7-67
CHK'D	DATE
<i>R. S. [Signature]</i>	6-1-67
REV	DATE
<i>1</i>	1-28-67
PROD.	DATE
I	

TRANSISTOR & DIODE CONVERSION CHART			
DEC		EIA	
DEC3009B		2N3009	
DEC6534B		MP56534	
D662		1N645	
D664		1N3606	

digital
 EQUIPMENT CORPORATION
 MAYNARD, MASSACHUSETTS

TITLE
VARIABLE CLOCK M452

SIZE	CODE	NUMBER	REV.
B	CS	M452-0-1	A

PRINTED CIRCUIT REV. **A**

