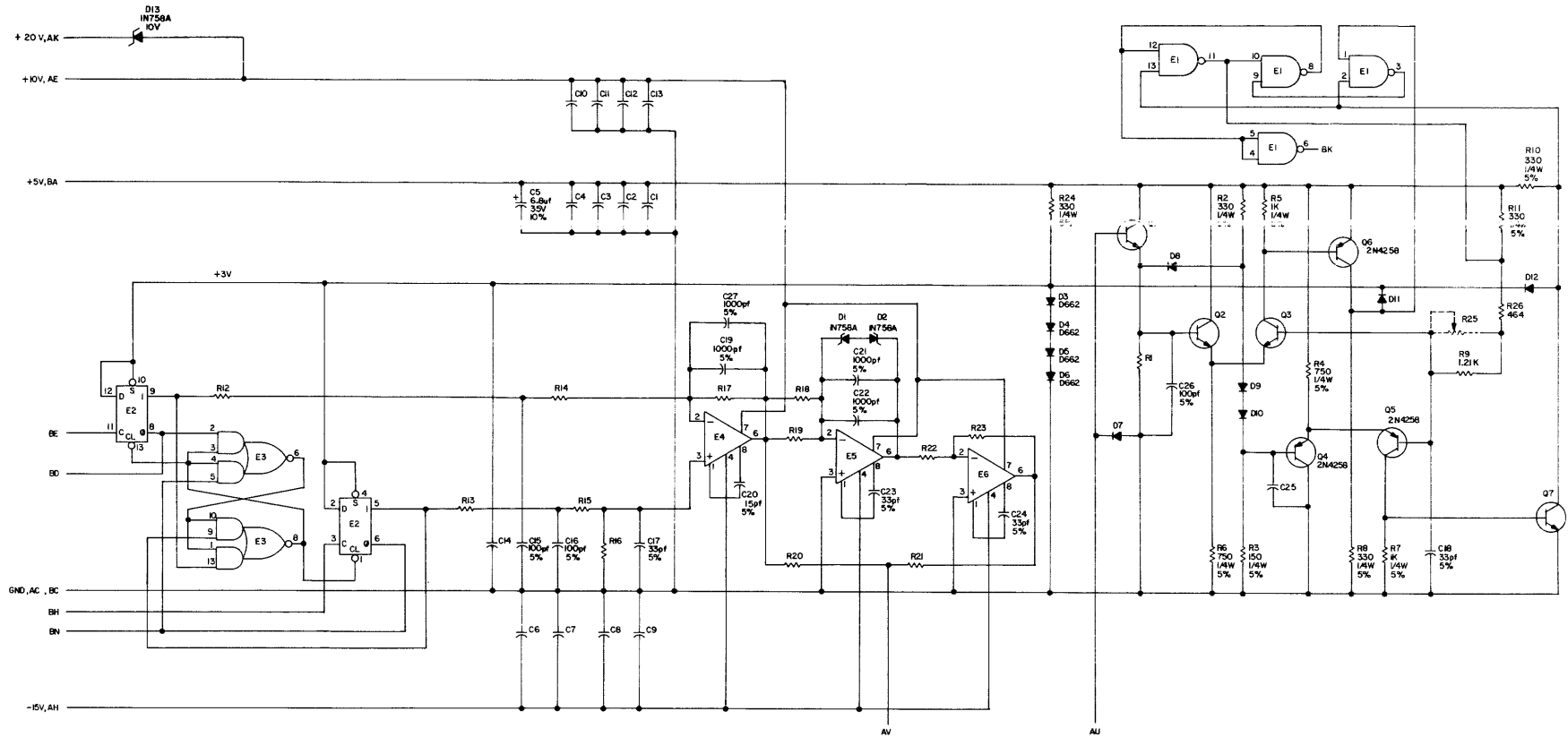


THIS SCHEMATIC IS FURNISHED ONLY FOR TEST AND MAINTENANCE PURPOSES. THE CIRCUITS ARE PROPRIETARY IN NATURE AND SHOULD BE TREATED ACCORDINGLY. COPYRIGHT 1970 BY DIGITAL EQUIPMENT CORPORATION



M420-2

UNLESS OTHERWISE INDICATED:  
RESISTORS ARE 10K, 1/8W, 1%, MF  
CAPACITORS ARE .001, 100V, 20%  
DIODES ARE D664  
TRANSISTORS ARE 2N427A  
R25 IS A CUSTOMER OPTION  
E1 IS DEC74H00  
E2 IS DEC74H7M  
E4-E5 ARE LM301A  
PIN 7 = GND ON E1, E2, E3  
PIN 14 = +5V  
E3 IS DEC74H50

DESIGNED BY	DATE	APPROVED BY	DATE
W. J. HARRIS	9/17/70		
DESIGNED BY	DATE	APPROVED BY	DATE
W. J. HARRIS	9/17/70		
DESIGNED BY	DATE	APPROVED BY	DATE
W. J. HARRIS	9/17/70		
DESIGNED BY	DATE	APPROVED BY	DATE
W. J. HARRIS	9/17/70		

TRANSISTOR & DIODE CONVERSION CHART			
DESIGN	MANUFACTURER	DESIGN	MANUFACTURER
2N427A	NS	D664	SG
D664	NS	IN758A	SG
D662B	NS		

digital		PHASE LOCK CLOCK M420	
EQUIPMENT CORPORATION		CORPORATION	
REV. 0	CS	NUMBER M420-0-1	REV. E
PRINTED CIRCUIT REV. 0			

5 DISY 324, 434, 435 3 Paul