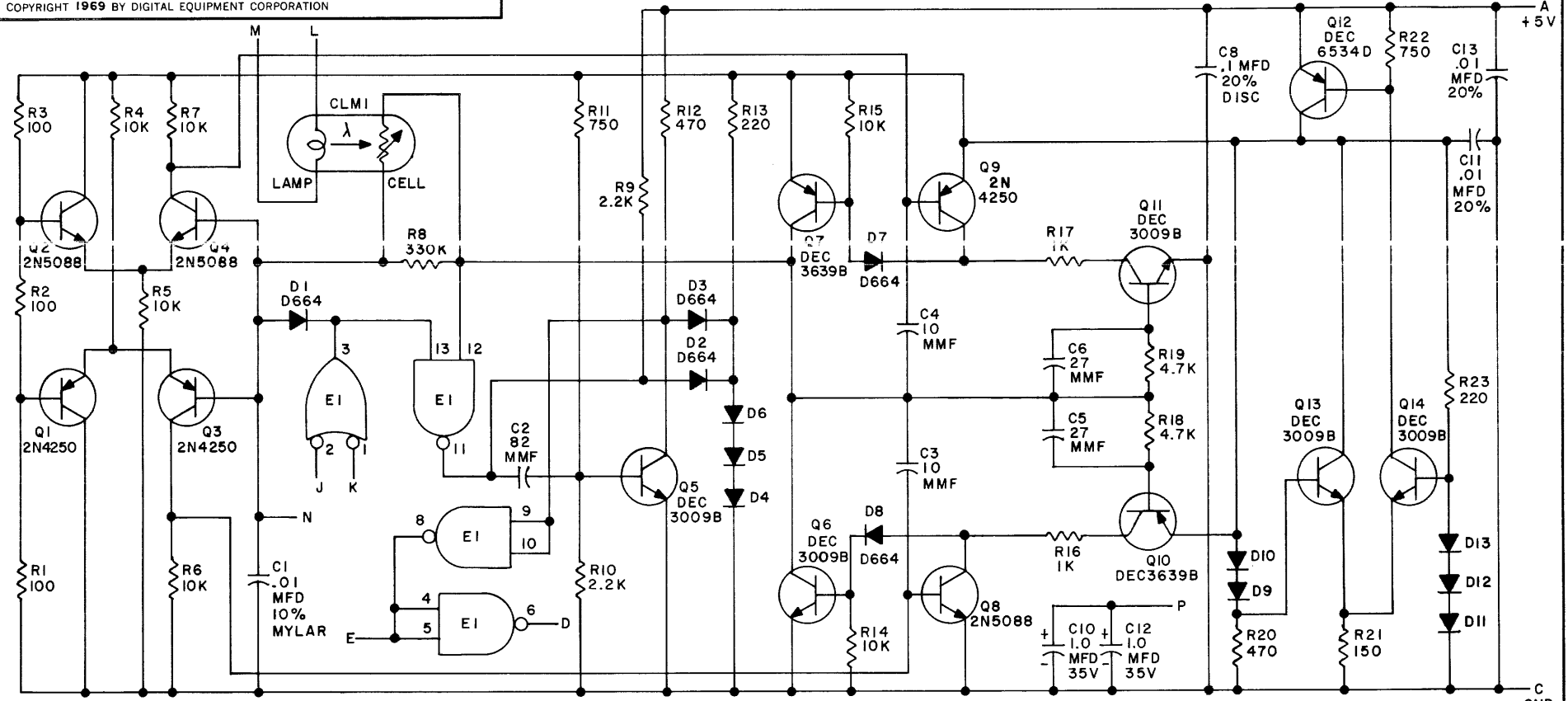


THIS SCHEMATIC IS FURNISHED ONLY FOR TEST AND MAINTENANCE PURPOSES. THE CIRCUITS ARE PROPRIETARY IN NATURE AND SHOULD BE TREATED ACCORDINGLY. COPYRIGHT 1969 BY DIGITAL EQUIPMENT CORPORATION



UNLESS OTHERWISE INDICATED:
 CAPACITORS ARE 100V, 5%
 DIODES ARE D662
 RESISTORS ARE 1/4W, 5%
 E1 IS DEC7400N
 PIN 7 ON IC = GND
 PIN 14 ON IC = +5V
 CLM1 IS 4006A

REV.	CHG	NO.	REV.

DRN. <i>M. Waller</i>	DATE 5-16-69
CHK'D <i>G. Young</i>	DATE 5-20-69
ENG. <i>R.E. Shanon</i>	DATE 9-12-69
PROD.	DATE

TRANSISTOR & DIODE CONVERSION CHART			
DEC	EIA	DEC	EIA
D662	1N645	DEC3639B	2N3639
D664	1N3606	DEC6534D	MPS6534
2N4250	NONE		
SE4020	NONE		
DEC3009B	2N3009		

digital
 EQUIPMENT CORPORATION
 MAYNARD, MASSACHUSETTS

TITLE PHOTO MOD CLOCK M402			
SIZE B	CODE CS	NUMBER M402-0-1	REV.
PRINTED CIRCUIT REV. B			

M402-3

