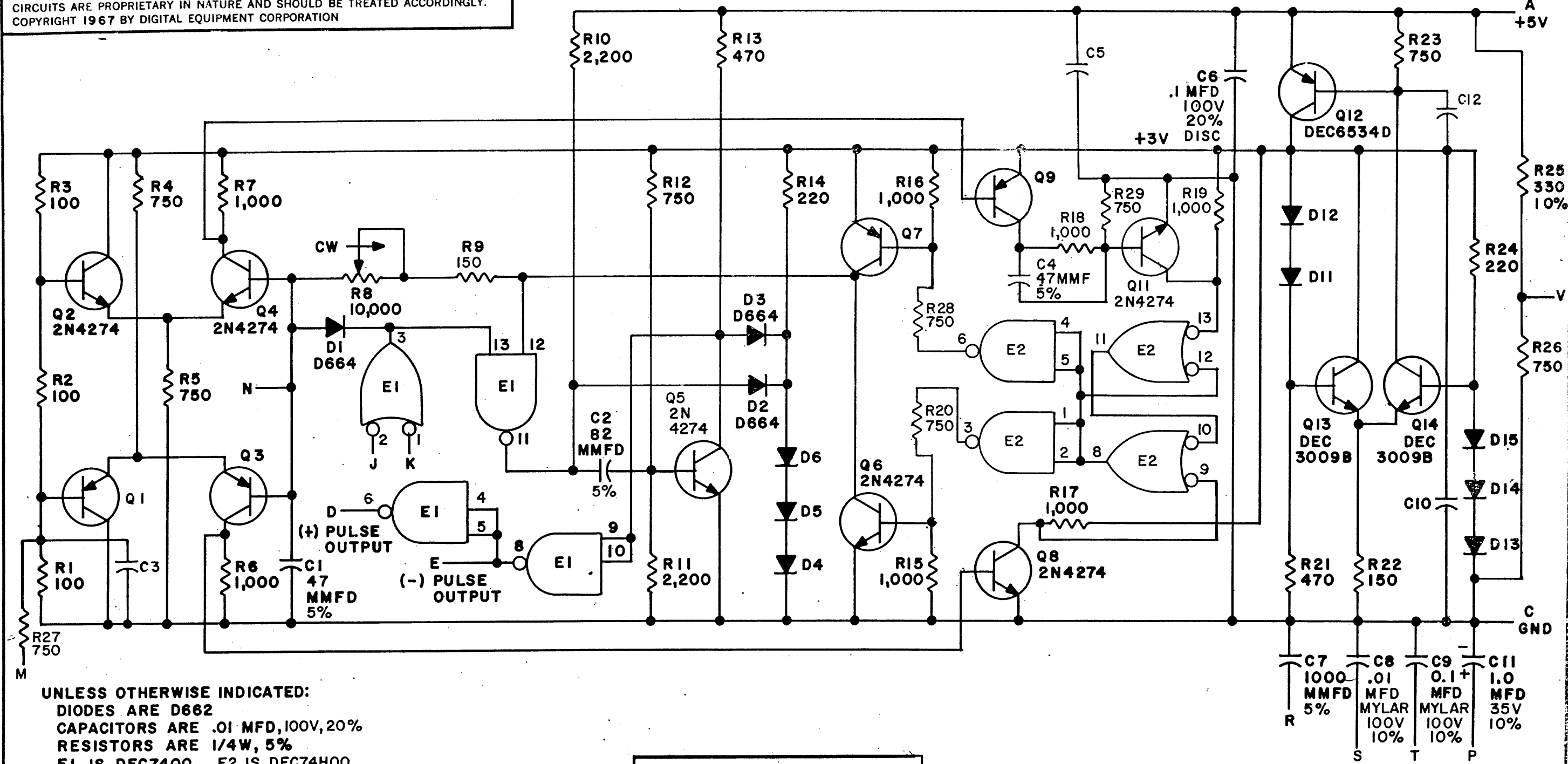


THIS SCHEMATIC IS FURNISHED ONLY FOR TEST AND MAINTENANCE PURPOSES. THE CIRCUITS ARE PROPRIETARY IN NATURE AND SHOULD BE TREATED ACCORDINGLY. COPYRIGHT 1967 BY DIGITAL EQUIPMENT CORPORATION



UNLESS OTHERWISE INDICATED:  
 DIODES ARE D662  
 CAPACITORS ARE .01 MFD, 100V, 20%  
 RESISTORS ARE 1/4W, 5%  
 EI IS DEC7400, E2 IS DEC74H00  
 PIN 7 ON IC = GND  
 PIN 14 ON IC = +5V  
 TRANSISTORS ARE DEC4258  
 R8 IS A HELITRIM POT 10%-78PR

PARTS LIST A-PL-M401-0-0

REVISIONS	CHK	CHG NO.	REV.
	C	6769	A
	R	6844	B
		00001	C
		00002	D
		00003	E
		00004	F
		00005	G
		00006	H
		00007	I
		00008	J
			K
			L
			M

DRN. <i>m. Waller</i>	DATE 9-11-67
CHK'D <i>A. Subraman</i>	DATE 9/13/67
ENG. <i>L.P. White</i>	DATE 9/13/67
PROD.	DATE

TRANSISTOR & DIODE CONVERSION CHART			
-DEC		-EIA	
DEC3009B	2N3009	D662	1N645
DEC4258	2N4258	D664	1N3606
2N4274	SAME		
DEC6534D	MPS6534		

**digital**  
 EQUIPMENT CORPORATION  
 MAYNARD, MASSACHUSETTS

TITLE VARIABLE CLOCK M401			
SIZE B	CODE CS	NUMBER M401-0-1	REV. M
PRINTED CIRCUIT REV.			M