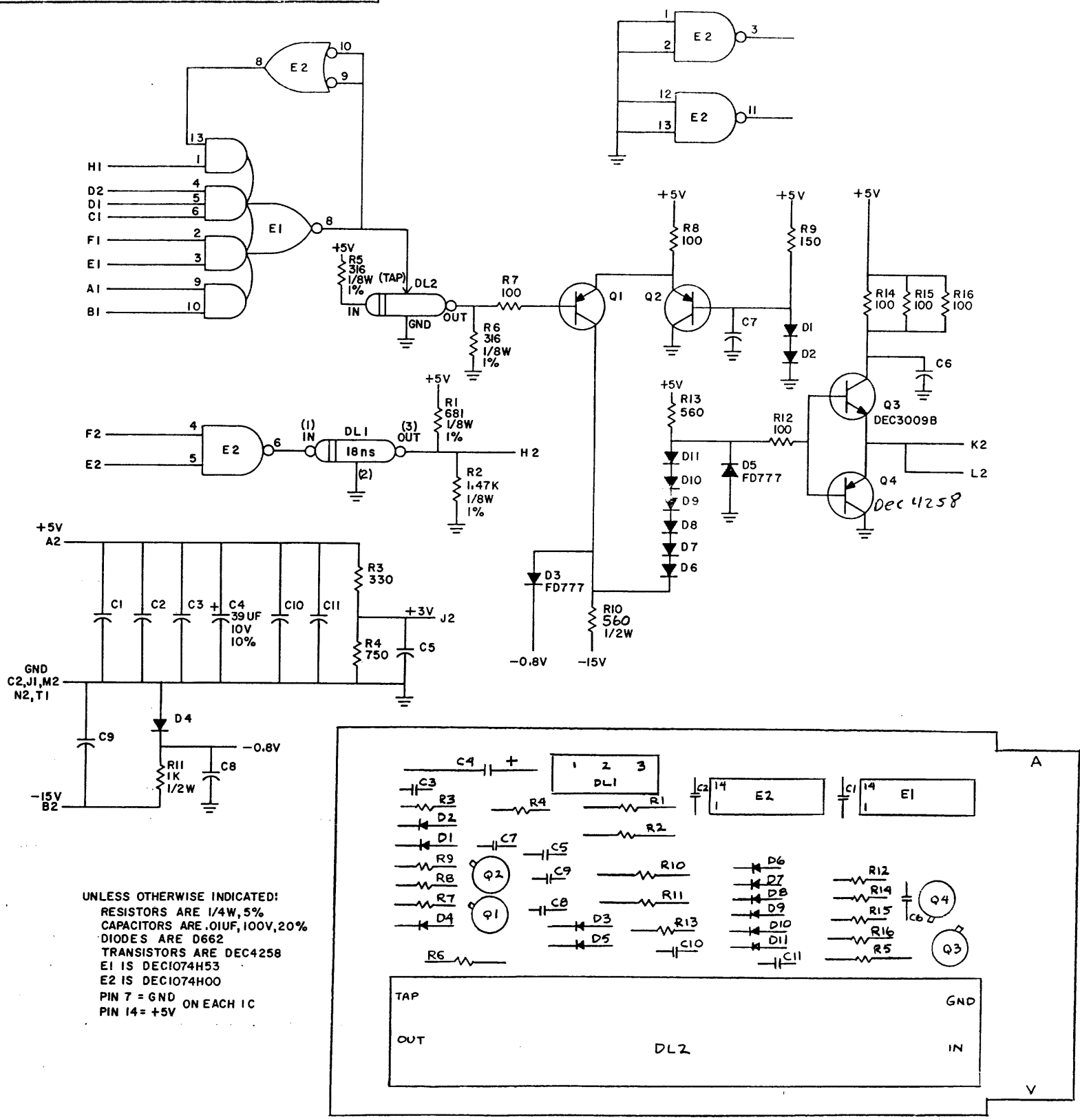
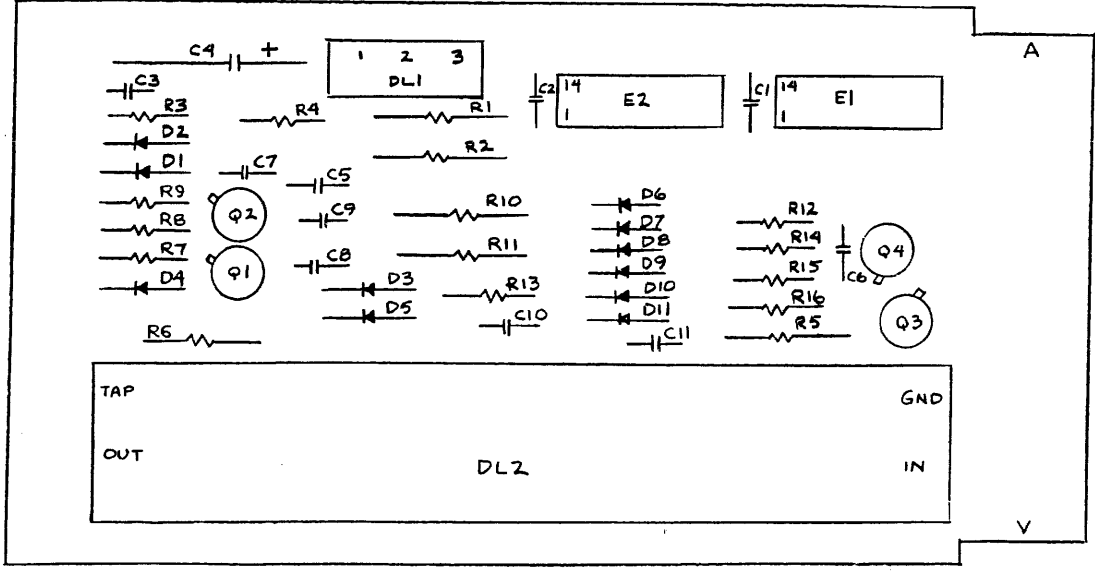


THIS SCHEMATIC IS FURNISHED ONLY FOR TEST AND MAINTENANCE PURPOSES. THE CIRCUITS ARE PROPRIETARY IN NATURE AND SHOULD BE TREATED ACCORDINGLY. COPYRIGHT 1971 BY DIGITAL EQUIPMENT CORPORATION



UNLESS OTHERWISE INDICATED:
 RESISTORS ARE 1/4W, 5%
 CAPACITORS ARE .01UF, 100V, 20%
 DIODES ARE D662
 TRANSISTORS ARE DEC4258
 E1 IS DEC1074H53
 E2 IS DEC1074H00
 PIN 7 = GND ON EACH IC
 PIN 14 = +5V



| ITEM NO. | DEC PART NO. | DESCRIPTION | QTY. |
|------------|---------------|------------------------------|------|
| 26 | 9606337-06 | HANDLE, BLUE CHIP - MAGENTA | 1 |
| 25 | 9001 | SYMBOL 435 4-7 | 2 |
| 24 | 1910514 | I.C. DEC1074H53 | 1 |
| 23 | 1910462 | I.C. DEC1074H00 | 1 |
| 22 | 1610079-0 | DELAY LINE 80 N SEC VAR 300Ω | 1 |
| 21 | 1610080 | DELAY LINE 18 N SEC 390 10% | 1 |
| 20 | 1505321 | TRANSISTOR 2N4258 | 3 |
| 19 | 1503100 | TRANSISTOR 3009 B-S | 1 |
| 18 | 1305108 | RES. 1.47K, 1/8W, 1% MF | 1 |
| 17 | 1302872 | RES. 681, 1/8W, 1% MF | 1 |
| 16 | 1300295 | RES. 330, 1/4W, 5% | 1 |
| 15 | 1304063 | RES. 316, 1/8W, 1% MF | 2 |
| 14 | 1301401 | RES. 750, 1/4W, 5% | 1 |
| 13 | 1301890 | RES. 560, 1/4W, 5% | 1 |
| 12 | 1300338 | RES. 560, 1/4W, 5% | 1 |
| 11 | 1300364 | RES. 1K, 1/4W, 5% | 1 |
| 10 | 1300250 | RES. 150, 1/4W, 5% | 1 |
| 9 | 1300229 | RES. 100, 1/4W, 5% | 6 |
| 8 | 1103041 | DIODE F0777 | 2 |
| 7 | 11001.3 | DIODE D662 | 9 |
| 6 | 1000076 | CAP. 39UF, 10V, 10% | 1 |
| 5 | 1001610 | CAP. .01UF, 100V, 20% | 10 |
| 4 | 5009380 | ETCHED CIRCUIT BOARD | 1 |
| 3 | B-MH-M362-0-6 | MODULE ECO HISTORY | |
| 2 | C-AH-M362-0-5 | ASSY/DRILLING HOLE LAYOUT | |
| 1 | K-CO-M362-0-4 | X-Y COORDINATE HOLE LOCATION | |
| PARTS LIST | | | |

| REV | CHG NO. | REV |
|-----|---------|-----|
| 1 | 00001 | C |

DEC FORM NO. DRC 102

| DRN | DATE |
|----------|--------|
| S. Lopez | 1/6/71 |
| CHK'D | DATE |
| ENG | DATE |
| PROD | DATE |

| TRANSISTOR & DIODE CONVERSION CHART | | | |
|-------------------------------------|-------|----------|---------|
| DEC | EIA | DEC | EIA |
| D662 | 1N645 | DEC3009B | 2N3009B |
| FD777 | SAME | DEC4258 | 2N4258 |

digital EQUIPMENT CORPORATION
 MAYNARD, MASSACHUSETTS

TITLE: LATCHED REGISTER DRIVER M362

SIZE: C CODE: CS NUMBER: M362-0-1 REV: C

PRINTED CIRCUIT REV: C